

# Custom Builder

Model **1** **2** **3** **4** **5** **6** **7** **8** **9**

**TW423** -  -  -  -  -  -  -  -  -

MODEL CODE	Thermowell Style
TW423	Flanged Straight
BOX1 CODE	Sealing Face
RF	Raised Face
FF	Flat Face
RJ	RTJ Ring Type Joint
BOX2 CODE	Bore Size /Stem
D	0.260" Std. for 1/4" Dia. Probe
6	0.245" for 6mm Dia. Probe
F	0.385" for 3/8" Dia. Probe

BOX3 CODE	Thermowell Material
SA	Stainless steel 316 / 316L, dual certified
SC	Stainless steel 304 / 304L, dual certified
LA	Inconel® 600
HA	Hastelloy® C276

BOX4 CODE	Insertion Length "U"
040	4.0"
060	6.0"
080	8.0"
100	10.0"
120	12.0"
140	14.0"
160	16.0"
Custom	In 0.1" increments from 0.1" to 36.0" Ex.: 120=12.0" Insertion

BOX5 CODE	Lag Extension "T"
00	No lag extension (0"), std.
10	1" lag extension
20	2" lag extension
Custom	In 0.1" increments from 0.1" to 12.0" Ex.: 15=1.5" long

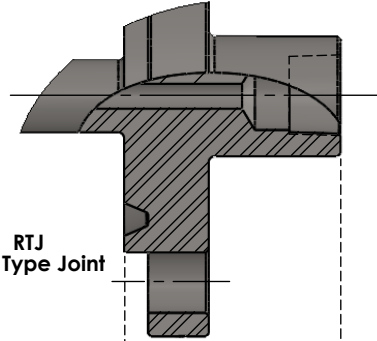
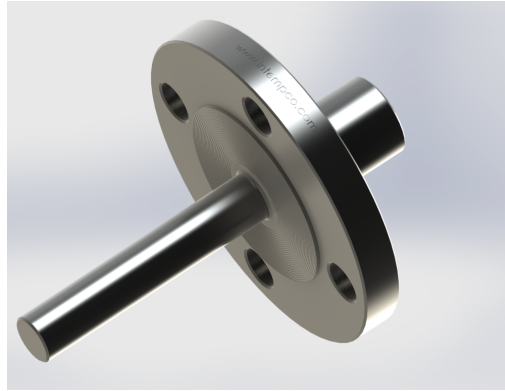
BOX6 CODE	Process Connection Per ASME				
	Pressure Class				
NPS Size (DN Size)	150	300	600	900	1500
3/4 (20)	A34*	B34	C34	D34*	E34
1 (25)	A11	B11	C11	D11*	E11
1 1/4 (32)	A54	B54	C54	D54*	E54
1 1/2 (40)	A32	B32	C32	D32*	E32
2 (50)	A21	B21	C21	D21*	E21
2 1/2 (65)	A52	B52	C52	D52*	E52
3 (80)	A31	B31	C31	D31	E31
3 1/2 (N/A)	A72	B72	C72	D72*	E72*
4 (100)	A41	B41	C41	D41	E41

\* RTJ Face not available

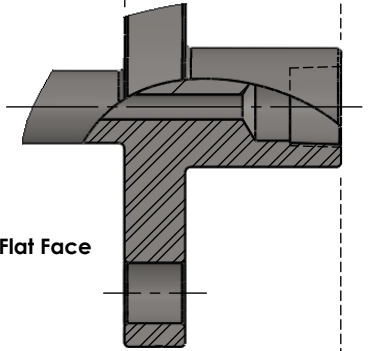
BOX7 CODE	Instrument Connection
ED	1/2" NPT female (std.)
EF	1/2" NPS female
EG	G-1/2" (BSPP) female

BOX8 CODE	Face Surface Finish
R1	125-250 μ-in Ra (3.2-6.3 μm) Std. for RF and FF Face Option
R2	16 μ-in Ra (1.6 μm) Std. for RJ Face Option
SF	32μ-in (0.8μm) Ra max.

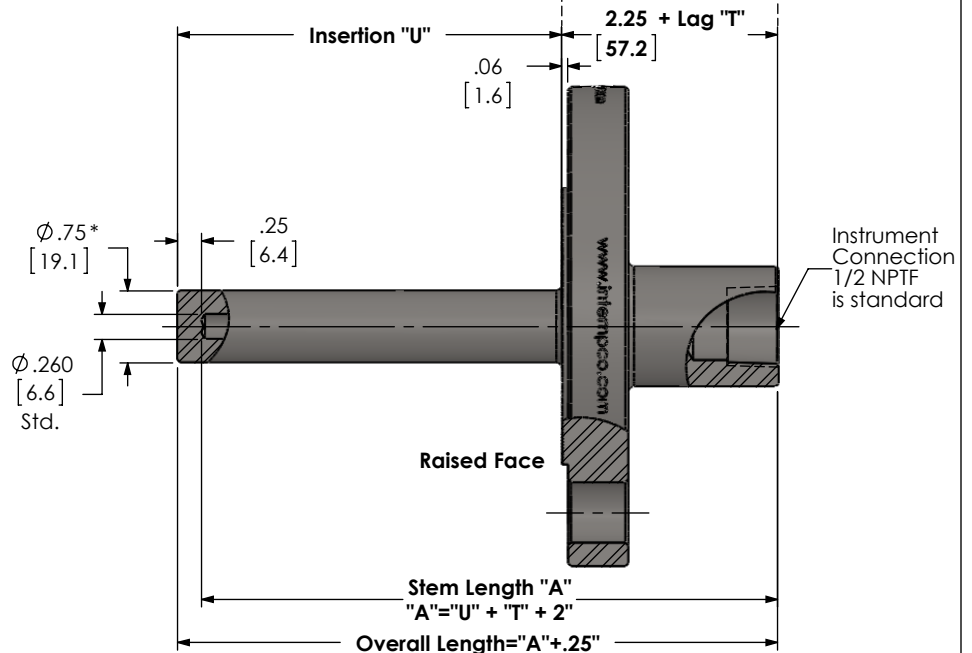
BOX9 CODE	Options
N	No Options
FP	Full Penetration Welds
E4	Well Material Certificate
CR	Canadian Registration Number
Z2	Stainless steel plug with chain
E1	Internal hydrostatic
E2	Liquid Dye penetrant testing
E3	X-Ray examination
Z3	Cleaned for oxygen service



RTJ Ring Type Joint



Flat Face



\*  $\phi .63$  [15.9] for 3/4" Flanges