

### Custom Builder

Model 1 2 3 4 5 6 7 8 9  
 TW503 - 0 - - - - - - - - - -

MODEL CODE	Thermowell Style
TW503	Van Stone Straight

BOX1 CODE	Fixed Code
0	Fixed Code

BOX2 CODE	Bore Size /Stem
D	0.260" Std. for 1/4" dia. probes
6	0.245" Option for 6mm probes
F	0.385" for 3/8" probes

BOX3 CODE	Thermowell Material
SA	Stainless steel 316 / 316L, dual certified
SC	Stainless steel 304 / 304L, dual certified
LA	Inconel® 600
HA	Hastelloy® C276

BOX4 CODE	Insertion Length "U"
040	4.0 "
060	6.0 "
080	8.0 "
100	10.0 "
120	12.0 "
140	14.0 "
160	16.0 "
Custom	In 0.1 " increments from 0.1" to 36.0" Ex.: 120=12.0" Insertion

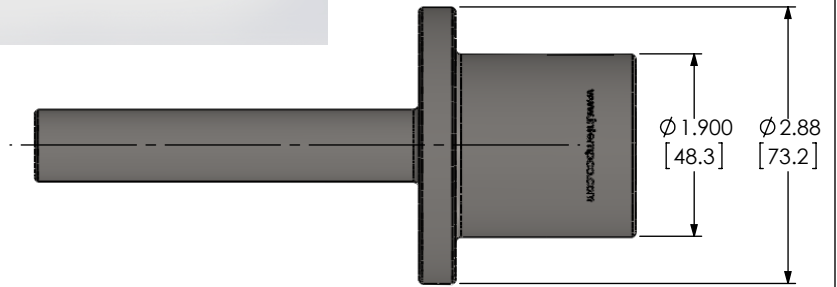
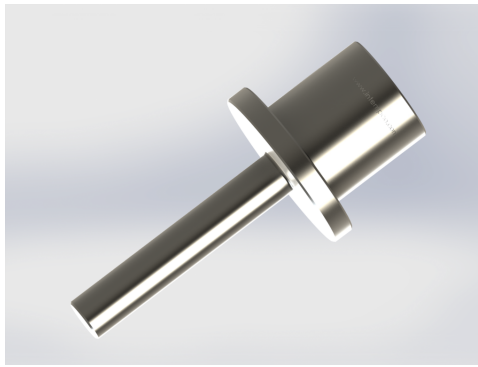
BOX5 CODE	Lag Extension "T"
00	No lag extension (0"), std.
10	1" lag extension
20	2" lag extension
Custom	In 0.1 " increments from 0.1" to 12.0" Ex.: 15=1.5" long

BOX6 CODE	With Optional Lap Joint Flange				
	Pressure Class				
NPS Size (DN Size)	150	300	600	900	1500
1 (25)	A11	B11	C11	D11	E11
1½ (40)	A32	B32	C32	D32	E32
Flg. Matl. is Carbon St. unless other wise specified					
BOX6 CODE	Without Flange				
1 (25)	011				
1½ (40)	032				

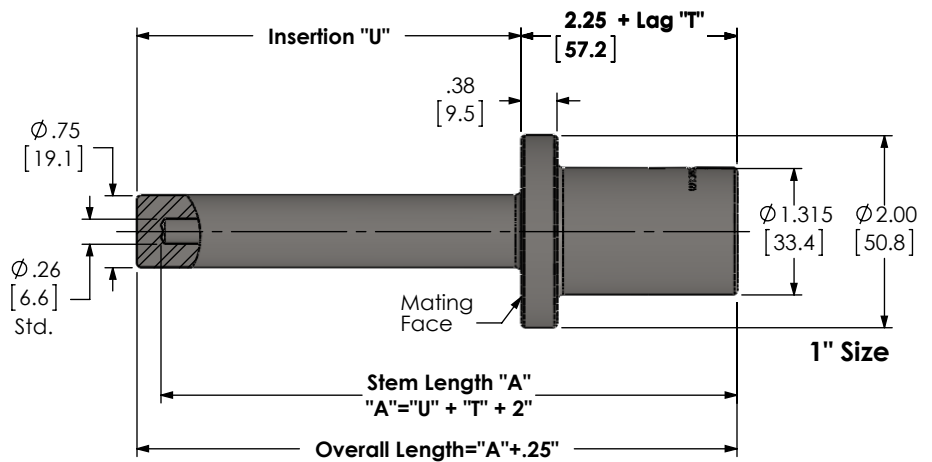
BOX7 CODE	Instrument Connection
ED	1/2" NPT female ( std. )
EF	1/2" NPS female
EG	G-1/2" (BSPP) female

BOX8 CODE	Face Surface Finish
R1	125-250 µ-in Ra (3.2-6.3 µm)
SF	32µ-in ( 0.8µm) Ra max.

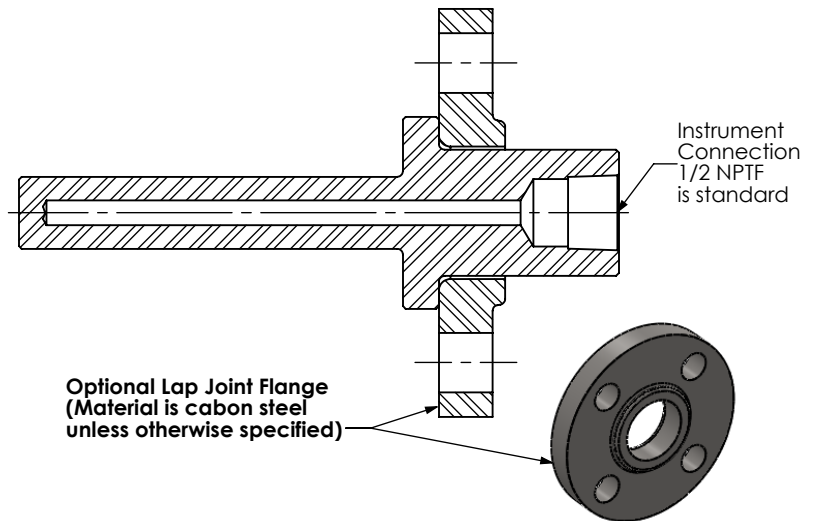
BOX9 CODE	Options
N	No Options
E4	Well Material Certificate
CR	Canadian Registration Number
Z2	Stainless steel plug with chain
E1	Internal hydrostatic
E2	Liquid Dye penetrant testing
E3	X-Ray examination
Z3	Cleaned for oxygen service
E5	Murdoch strength calculations



1.5" Size



1" Size



### Model TW503 Van Stone Straight Barstock

### Industrial Thermowells

Dimensions are in inches [mm]

THE INFORMATION CONTAINED IN THIS DRAWING IS THE SOLE PROPERTY OF INTEMPCO CONTROLS. ANY REPRODUCTION IN PART OR AS A WHOLE WITHOUT THE WRITTEN PERMISSION OF INTEMPCO CONTROLS IS PROHIBITED.

Doc. No. TW-CAT001

Revision: -  
Revision Date: 2017-01-29

SHEET 21 OF 22