

# Series SB9B Ball Valve

Three-Piece *CleanTECH™* Sanitary Ball Valve  
 Sizes 1/2" ~ 4"



The SVF Series SB9B Sanitary Ball Valve is the newest member to our *CleanTECH™* family of high purity products. The SB9B is an ideal, competitively priced solution for manual and automated ball valve requirements in semiconductor, food & beverage, dairy, flavorings, cosmetic and fragrance applications.

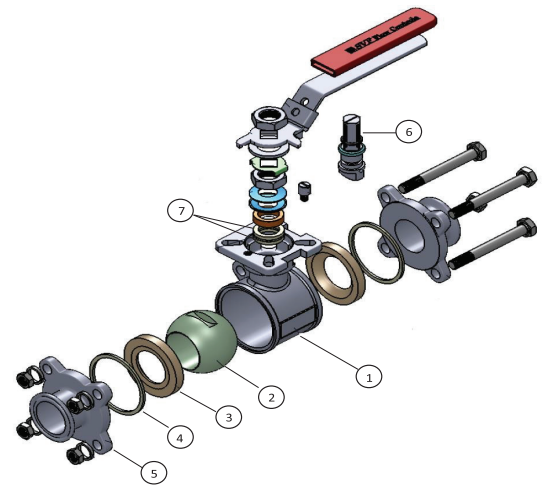
## SERIES SB9B DESIGN FEATURES

- ✓ Three piece investment cast stainless steel
- ✓ Tri-Clamp end connections
- ✓ Standard interior finish is 20Ra or better
- ✓ Built-In ISO 5211 mounting pad for easy direct mount actuation
- ✓ Interior finish of 20Ra or better
- ✓ Silicone Free
- ✓ Blow-out proof stem adds safety and reliability
- ✓ All materials comply with ASTM material specifications, FDA, USDA and 3A
- ✓ Live-loaded stem packing ensures seal-tight pressure containment even under thermal cycling



## MATERIALS OF CONSTRUCTION

| ITEM | DESCRIPTION   | MATERIALS SPECIFICATIONS             |
|------|---------------|--------------------------------------|
| 1    | Body          | 316 Stainless Steel (ASTM A351 CF8M) |
| 2    | End Connector | 316 Stainless Steel (ASTM A351 CF8M) |
| 3    | Ball          | 316 Stainless Steel (ASTM A351 CF8M) |
| 4    | Stem          | 316 Stainless Steel (ASTM A276-316)  |
| 5    | Seat          | PTFE                                 |
| 6    | Body Seal     | PTFE                                 |
| 7    | Stem Seal     | PTFE                                 |



The Series SB9B Ball Valve is available with additional options.

There are no elastomers used for any of the components on the SB9B valves.  
 Only PTFE and TFM are used for seats and seals.

*What do you need today?™*



# Series SB9B Ball Valve

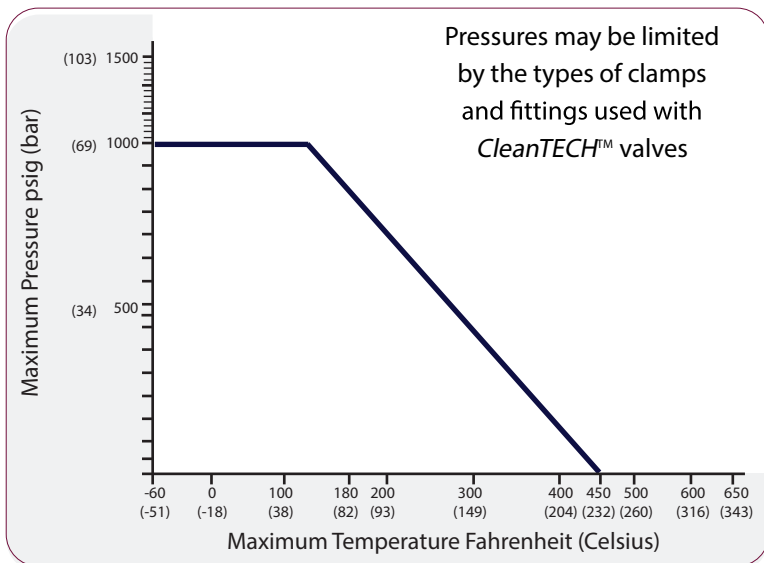
Three-Piece *CleanTECH™* Sanitary Ball Valve  
 Sizes 1/2" ~ 4"



## DIMENSIONS, WEIGHT, Cv, TORQUE

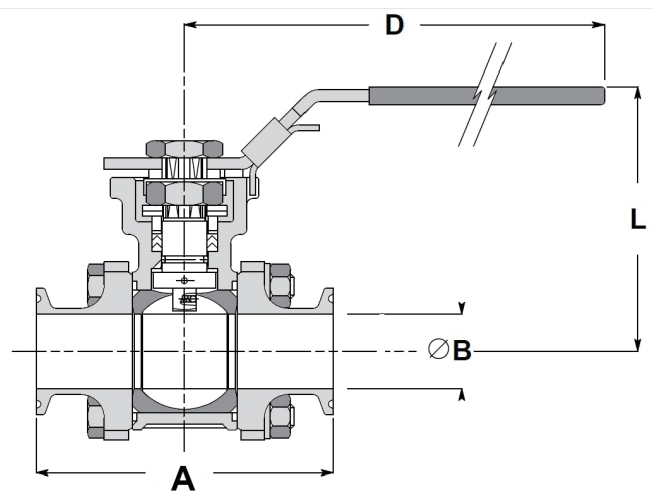
| Size   | A    |     | B    |    | D     |     | L    |     | Weight |      | Cv   | Torque* |    |
|--------|------|-----|------|----|-------|-----|------|-----|--------|------|------|---------|----|
|        | in.  | mm  | in.  | mm | in.   | mm  | in.  | mm  | lbs    | kg   |      | in-lbf  | Nm |
| 1/2"   | 3.50 | 89  | 0.37 | 9  | 4.92  | 125 | 2.91 | 74  | 1.2    | 0.54 | 8    | 50      | 6  |
| 3/4"   | 4.13 | 105 | 0.62 | 16 | 4.92  | 125 | 2.91 | 74  | 1.3    | 0.59 | 29   | 50      | 6  |
| 1"     | 4.49 | 114 | 0.87 | 22 | 6.10  | 155 | 3.50 | 89  | 3      | 1.36 | 66   | 93      | 11 |
| 1-1/2" | 5.51 | 140 | 1.37 | 35 | 7.28  | 185 | 4.33 | 110 | 4      | 1.81 | 192  | 161     | 18 |
| 2"     | 6.14 | 156 | 1.87 | 47 | 7.28  | 185 | 4.64 | 118 | 7      | 3.18 | 434  | 223     | 25 |
| 2-1/2" | 7.76 | 197 | 2.37 | 60 | 9.76  | 248 | 6.42 | 163 | 17     | 7.7  | 723  | 415     | 47 |
| 3"     | 9.01 | 229 | 2.87 | 73 | 9.76  | 248 | 6.77 | 172 | 26     | 12   | 1124 | 589     | 67 |
| 4"     | 9.49 | 241 | 3.83 | 97 | 15.55 | 395 | 7.95 | 202 | 44     | 20   | 2100 | 774     | 87 |

## SB9B - PRESSURE/TEMPERATURE CHART



Class 300

\* At full differential pressure for clean fluids



# Series SB9B Ball Valve

Three-Piece *CleanTECH™* Sanitary Ball Valve  
 Sizes 1/2" ~ 4"



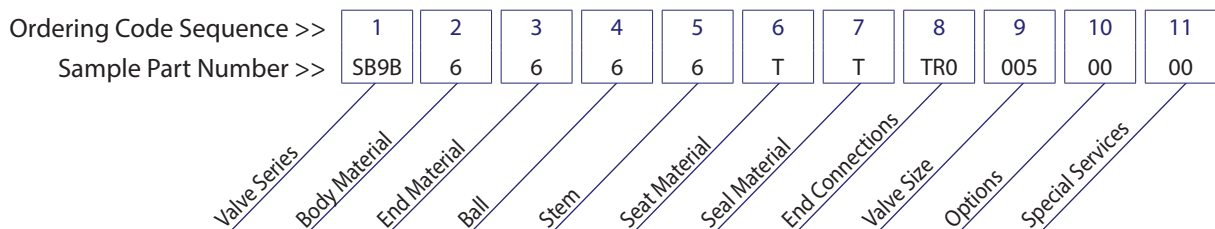
How To Order Guide (Columns 1 thru 11)

| 1      | 2   | 3   | 4   | 5  | 6                                     |
|--------|---|---|---|--|---------------------------------------|
| SERIES | BODY                                      | ENDS                                      | BALL                                      | STEM                                     | SEAT MATERIAL                         |
| SB9B   | 6 = 316 Stainless Steel<br>ASTM A351 CF8M | 6 = 316 Stainless Steel<br>ASTM A351 CF8M | 6 = 316 Stainless Steel<br>ASTM A351 CF8M | 6 = 316 Stainless Steel<br>ASTM A276-316 | T = PTFE<br>X = PTFE<br>Cavity Filled |

| 7         | 8                    | 9  | 10        | 11   |
|-----------|----------------------|--|-----------|--|
| BODY SEAL | END CONNECTIONS      | VALVE SIZE   | OPTIONS*  | SPECIAL SERVICES*  |
| T = PTFE  | TR0 = Tri-Clamp Ends | 005 = 1/2"<br>007 = 3/4"<br>010 = 1"<br>015 = 1-1/2"<br>020 = 2"<br>025 = 2-1/2"<br>030 = 3"<br>040 = 4" | 00 = None | 00 = None<br>XC = Oxygen Cleaned<br>EP = Electropolished |

Order Example: (SB9B6666TTTR00050000) The Part Number will contain 20 digits.



\*Not all Options or Special Services available on all ball valves. Consult SVF for additional information.