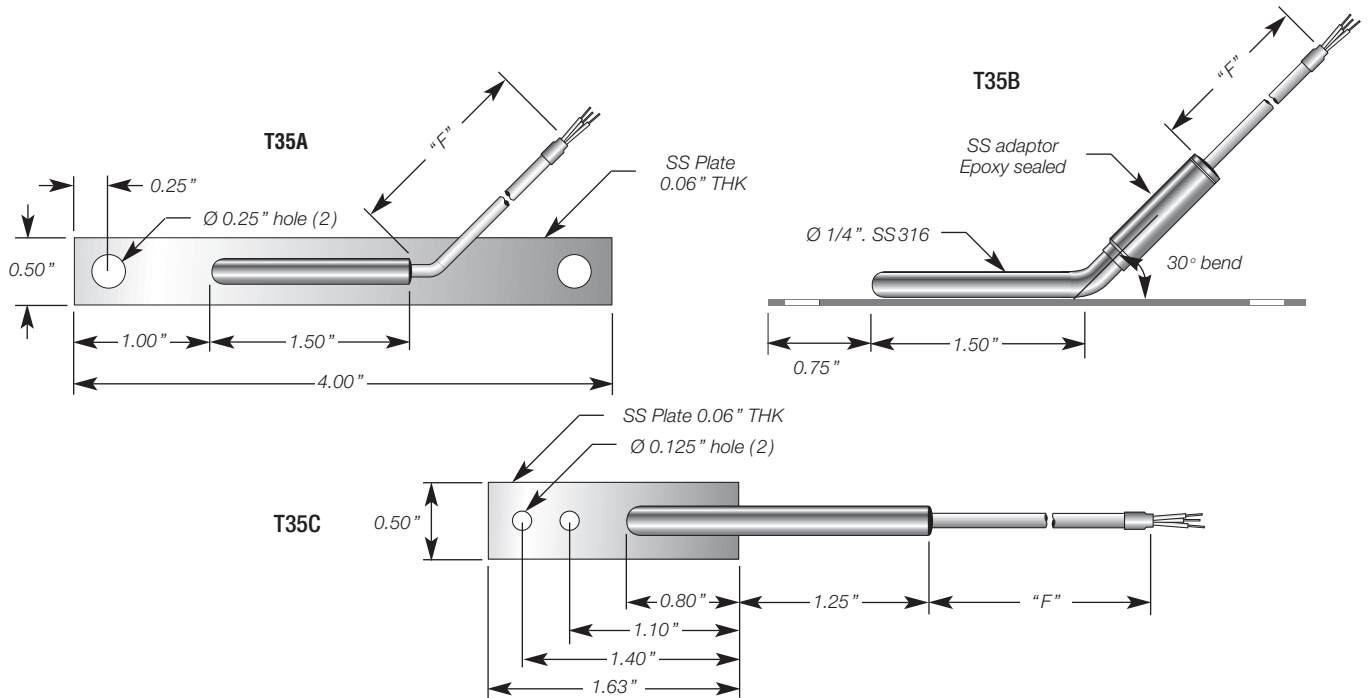


# Thermocouple T35 Series

## Rigid Surface Mount



INTEPCO T35 series surface temperature thermocouple is designed to be cemented, clamped or bolted to a surface for temperature measurement. A specially designed moisture seal permits operation in extremely adverse conditions such as may be encountered on cooling equipment and cold water pipes. Teflon insulation and high temperature epoxy permit use at temperatures as high as 200 °C (392 °F).

## Custom Builder

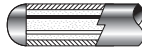


MODEL      1      2      3      4      5      6

**T35** -  -  -  -  -  -  -

BOX1 CODE	Temperature Range
L	Low temperature 200°C max. (392°F)

BOX3 CODE	Accuracy
A	Standard limits of error
B	Special limits of error

BOX2 CODE	ANSI Type	Thermocouple Type
J	J	Iron-Constantan
K	K	Chromel-Alumel
T	T	Copper-Constantan
E	E	Chromel-Constantan

BOX4 CODE	Junction Type
1G	Grounded 
1U	Ungrounded 
1E	Exposed 

Note : For dual thermocouple change "1" to "2"

BOX5 CODE	Lead Wire Insulation "F"		
	Each Cond.	Overall Jacket	Temp. Range
T	Teflon	Teflon	200 °C (392 °F)
TN	Teflon	None	260 °C (500 °F)
TM	Teflon	Alum. Mylar Drain Wire Teflon	200 °C (392 °F)
G	Glass	Glass	482 °C (900 °F)

**Note :**

- Specify wire length in inches (999" max.)  
E.g.: **TF-060**=Teflon wire, 60" long
- For SS Armor Cable over Extension.  
Add "A" to code E.g.: **TA**
- For SS Overbraided Cable over Extension.  
Add "S" to code E.g.: **TS**

BOX6 CODE	Extension Cable Length "F"
---	In 0.1" increments Ex.: <b>065</b> =6.5" long