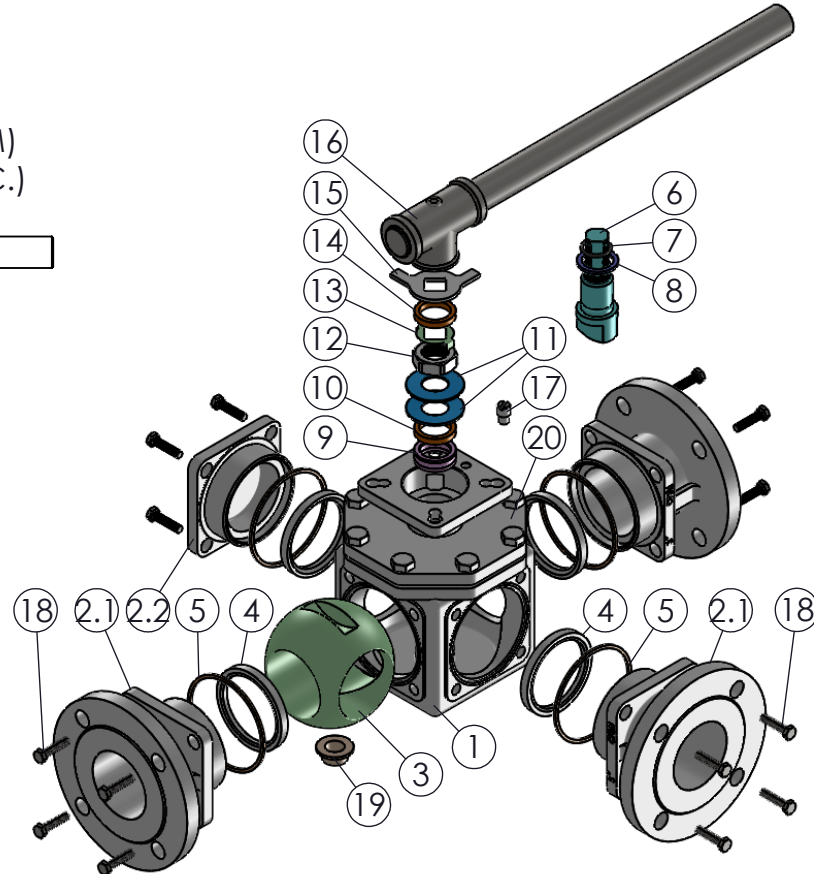
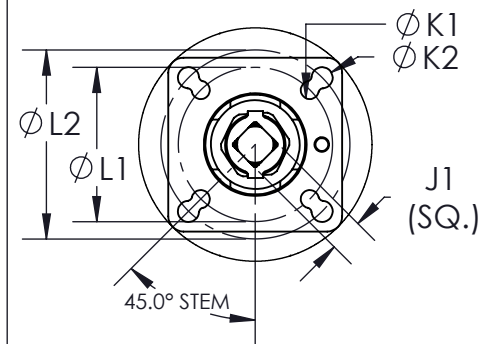
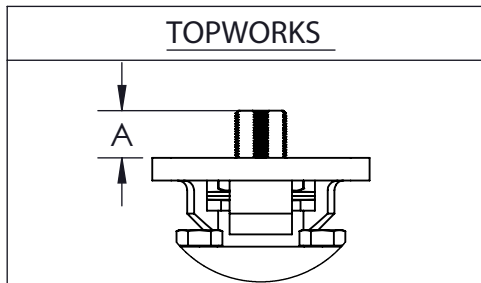
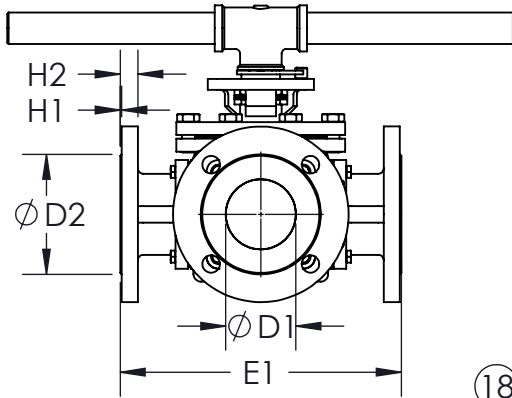
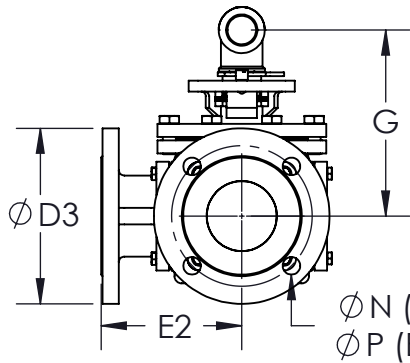
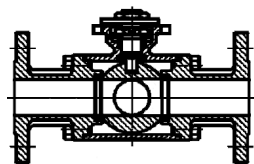


*AT FULL DIFFERENTIAL PRESSURE FOR CLEAN FLUIDS WITH PTFE SEATS

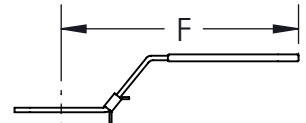
SIZE	A	øD1	øD2	øD3	E1	E2	F	G	H1	H2	J1 (SQ.)	øK1	øK2	øL1	øL2	M	øN	øP	ISO 5211	WEIGHT (lbs)	Cv	TORQUE* (in-lbf)
1"	0.43 (11)	0.98 (25)	2.01 (51)	4.25 (108)	7.48 (190)	3.74 (95)	6.30 (160)	3.39 (86)	0.06 (1.6)	0.47 (12)	0.43 (11)	0.24 (6)	0.28 (7)	1.65 (42)	1.97 (50)	4	0.63 (16)	3.14 (80)	F04-F05	12	91	186
1-1/2"	0.55 (14)	1.50 (38)	2.87 (73)	5.00 (127)	8.66 (220)	4.33 (110)	7.28 (185)	4.33 (110)	0.06 (1.6)	0.55 (14)	0.55 (14)	0.28 (7)	0.35 (9)	1.97 (50)	2.76 (70)	4	0.63 (16)	3.89 (99)	F05-F07	24	254	416
2"	0.67 (17)	1.89 (48)	3.62 (92)	5.98 (152)	10.00 (254)	5.00 (127)	9.84 (250)	5.24 (133)	0.06 (1.6)	0.63 (16)	0.67 (17)	0.35 (9)	0.43 (11)	2.76 (70)	4.02 (102)	4	0.75 (19)	4.76 (121)	F07-F10	39	442	637
2-1/2"	0.87 (22)	2.44 (62)	4.13 (105)	7.01 (178)	11.50 (292)	5.75 (146)	19.69 (500)	7.87 (200)	0.06 (1.6)	0.71 (18)	0.87 (22)	0.43 (11)	0.53 (13)	4.02 (102)	4.92 (125)	4	0.75 (19)	5.51 (140)	F10-F12	69	700	832
3"	0.87 (22)	2.99 (76)	5.00 (127)	7.52 (191)	12.01 (305)	6.02 (153)	19.69 (500)	8.50 (216)	0.06 (1.6)	0.75 (19)	0.87 (22)	0.43 (11)	0.53 (13)	4.02 (102)	4.92 (125)	4	0.75 (19)	6.02 (153)	F10-F12	90	1084	1104
4"	0.87 (22)	3.56 (98)	6.18 (157)	9.01 (229)	14.53 (369)	7.28 (185)	25.59 (650)	9.06 (230)	0.06 (1.6)	0.94 (24)	0.87 (22)	0.43 (11)	0.53 (13)	4.02 (102)	4.92 (125)	8	0.75 (19)	7.51 (191)	F10-F12	143	2082	1898



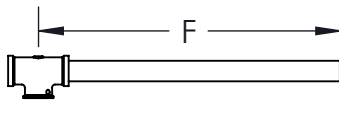
SIZES 1/2"-2" WITHOUT BONNET:



SIZES 1" - 2" WITH LEVER HANDLE:

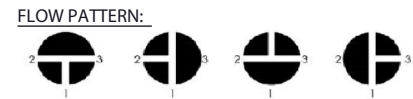


SIZES 2-1/2" - 4" WITH PIPE HANDLE:



PRODUCT INFORMATION:
 1. POSITIVE SHUT-OFF ON ANY OF THE THREE PORTS
 2. BLOW OUT PROOF STEM
 3. COMPLETE VALVE AUTOMATION

APPLICABLE STANDARDS:
 1. ASME B16.34: DESIGN REQUIREMENTS
 2. ANSI B16.5: FLANGE DIMENSION
 3. ANSI B16.10: FACE TO FACE STANDARD
 4. API 598: INSPECTION AND TESTING
 5. ISO 5211: MOUNTING
 6. CGA G-4.1: CLEANING FOR OXYGEN SERVICE
 7. NACE MR0175
 8. USP CLASS VI: CONFIRMATION OF COMPLIANCE (PTFE MATERIAL)



ITEM NO.	DESCRIPTION	MATERIALS	QTY.
1	BODY	A351-CF8M A216-WCB	1
2.1	END	A351-CF8M A216-WCB	3
2.2	BLIND END	A351-CF8M A216-WCB	1
3	BALL	A182-316	1
4	SEAT	RTFE	4
5	BODY SEAL	PTFE	4
6	STEM	A276-316	1
7	STEM O-RING	VITON	1
8	STEM THRUST WASHER	PTFE	1
9	STEM SEAL	PTFE	4
10	GLAND FOLLOWER	A276-304	1
11	BELLEVILLE WASHER	A276-304	2
12	STEM NUT	304 STAINLESS STEEL	1
13	LOCK TAB	304 STAINLESS STEEL	1
14	SPACER	A276-304	1
15	STOP PLATE	201 STAINLESS STEEL	1
16	PIPE HANDLE (FOR SIZES 2-1/2"-4" ONLY)	A276-304	1
17	STOP PIN	201 STAINLESS STEEL	1
18	BODY BOLTS	A193-B8	16
19	BOTTOM BUSHING (FOR SIZES 3"-4" ONLY)	PTFE	1
20	BODY BONNET (FOR SIZES 2-1/2"-4" ONLY)	A351-CF8M A216-WCB	1

DRAWN BY E.P.
 CHECKED BY E.G.
 APPROVED BY J.S.
(FOR REF. ONLY IF NOT APPROVED)

DATE 02/12/2018
 DATE 02/12/2018
 DATE 02/12/2018

PROJECTION THIRD ANGLE:

THE INFORMATION CONTAINED IN THIS DRAWING IS THE SOLE PROPERTY OF SVF FLOW CONTROLS, INC. ANY REPRODUCTION IN PART OR IN WHOLE WITHOUT THE WRITTEN CONSENT OF SVF FLOW CONTROLS, INC. IS PROHIBITED.

DESCRIPTION:
 1" - 4" MB51 THREE-WAY MULTI-PORTED BALL VALVE, 150# FLANGED ENDS, T PORT, S/S

UNITS: INCH (MILLIMETERS) DATE: 03/15/2018 REV: C

