

	B		C		D		E		F		G										
	MODEL	A	ØB	C	E1	E2	F	G	H1	H2	J1	J2	K	ØL1	ØL2	M1	M2	M3 (DEPTH)	ISO 5211	WEIGHT (lbs)	TORQUE (in-lbf)
1	STEM EXT-CISO05	0.16 (4)	1.00 (25)	0.52 (13)	3.30 (84)	3.80 (97)	4.7 (119)	4.4 (112)	1.50 (38)	1.80 (46)	0.22 (6)	0.37 (9)	M5-0.8	1.34 (34)	1.42 (36)	0.22 (6)	0.47 (12)	0.50 (13)	F03	1	18
	STEM EXT-CISOSB705																				
1	STEM EXT-CISO10	0.31 (8)	1.20 (31)	0.70 (18)	3.30 (84)	3.90 (99)	6.0 (152)	4.4 (112)	1.70 (43)	2.00 (51)	0.30 (8)	0.43 (11)	M5-0.8	1.65 (42)	1.65 (42)	0.30 (8)	0.55 (14)	0.65 (17)	F04	1	27
	STEM EXT-CISOSB710																				
	STEM EXT-CISO15	0.38 (10)	1.40 (36)	1.18 (30)	3.30 (84)	4.40 (112)	7.4 (188)	4.7 (119)	1.80 (46)	2.50 (64)	0.34 (9)	0.56 (14)	M6-1.0	1.85 (47)	1.97 (50)	0.34 (9)	0.75 (19)	0.50 (13)	F05	2	32
	STEM EXT-CISOSB715																				

**PRODUCT INFORMATION:**

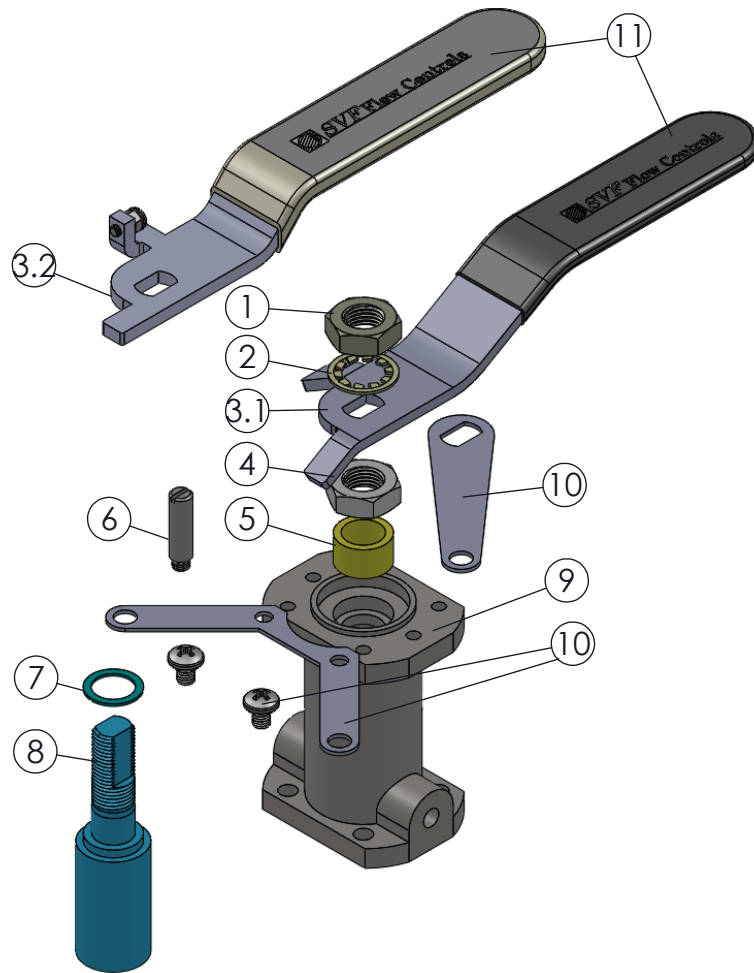
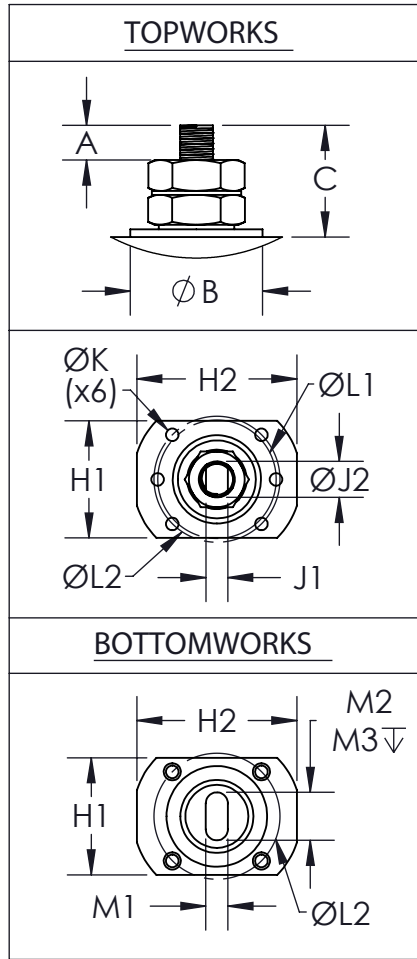
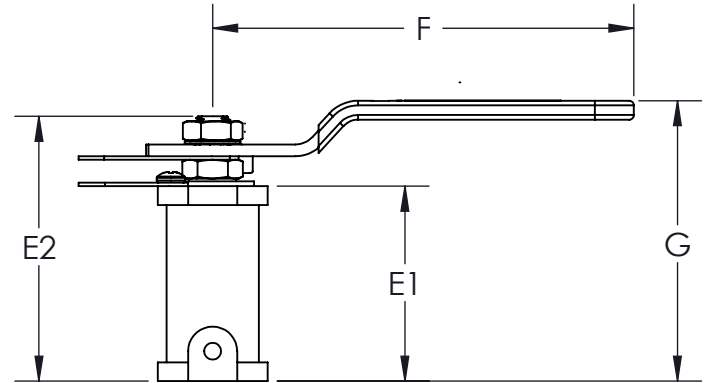
- 1. 304 STAINLESS STEEL CONSTRUCTION
- 2. MODULAR, RUGGED & STABLE DESIGN
- 3. "BOLT ON" ARRANGEMENT

**OPTIONS :**

- T. LOCKING DEVICE

**APPLICABLE STANDARDS:**

- T. ISO 5211: MOUNTING



ITEM NO.	DESCRIPTION	MATERIALS	QTY.
1	HANDLE NUT	304 STAINLESS STEEL	1
2	LOCK WASHER	304 STAINLESS STEEL	1
3.1	HANDLE (8 SERIES ONLY)	304 STAINLESS STEEL	1
3.2	HANDLE (SB7 SERIES ONLY)	304 STAINLESS STEEL	1
4	STEM NUT	304 STAINLESS STEEL	1
5	SPACER	304 STAINLESS STEEL	1
6	STOP PIN	304 STAINLESS STEEL	1
7	THRUST WASHER	DELRIN	1
8	STEM SHAFT	304 STAINLESS STEEL	1
9	STEM EXTENSION HOUSING	A351-CF8	1
10	LOCKING DEVICE	304 STAINLESS STEEL	1
11	HANDLE SLEEVE	VINYL	1

DRAWN BY C.L.	DATE 06/07/2017
CHECKED BY E.P.	DATE 06/07/2017
APPROVED BY J.S.	DATE 06/07/2017

THE INFORMATION CONTAINED IN THIS DRAWING IS THE SOLE PROPERTY OF SVF FLOW CONTROLS, INC. ANY REPRODUCTION IN PART OR IN WHOLE WITHOUT THE WRITTEN CONSENT OF SVF FLOW CONTROLS, INC. IS PROHIBITED.

PROJECTION THIRD ANGLE

DESCRIPTION:  
**1/2" - 1-1/2" ISO STEM EXTENSION**

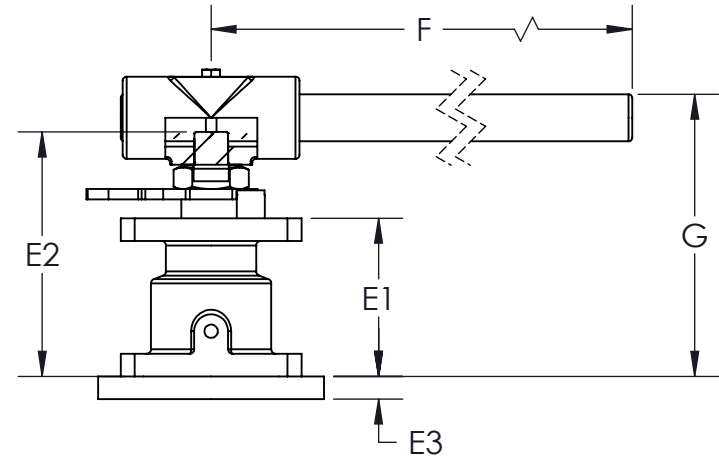
UNITS: INCH (MILLIMETERS)    DATE: 06/07/2017    REV: A

MODEL	SIZE	A	ØB	C	E1	E2	E3	F	G	H	J1	J2	J3	J4 (DEPTH)	K1	K2	K3	K4	K5	ØL1	ØL2	ØL3	ØL4	ØM	ØN	ISO 5211	WEIGHT (lbs)	TORQUE (in-lbf)
STEM EXT-CISOSB725	2-1/2"	0.88 (22)	1.50 (38)	1.91 (49)	3.5 (89)	5.4 (137)	0.50 (13)	14.0 (356)	6.9 (175)	4.0 (102)	0.75 (19)	0.56 (14)	1.03 (26)	0.75 (19)	M10-1.5	0.32 (8)	0.44 (11)	M10-1.5	0.35 (9)	3.17 (81)	3.37 (86)	4.02 (102)	2.76 (70)	1.75 (44)	5.0 (127)	F10	6	179
STEM EXT-CISO30	3"						N/A											N/A	N/A				N/A	N/A				

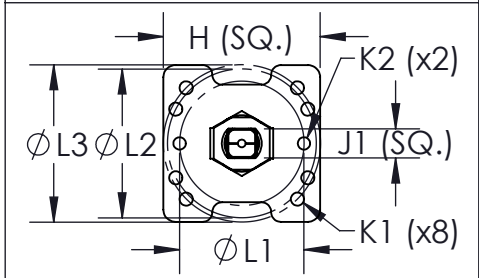
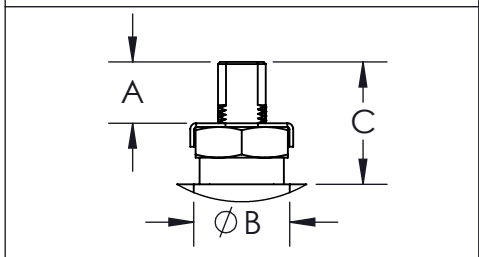
**PRODUCT INFORMATION:**

- 304 STAINLESS STEEL CONSTRUCTION
- MODULAR, RUGGED & STABLE DESIGN
- "BOLT ON" ARRANGEMENT
- LOCKING DEVICE IS A STANDARD COMPONENT

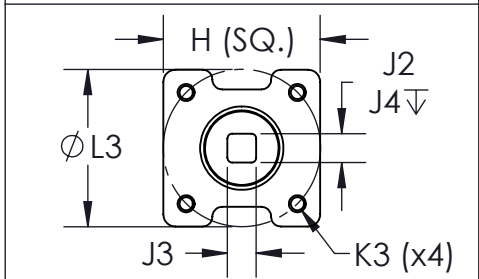
**APPLICABLE STANDARDS:**  
1. ISO 5211: MOUNTING



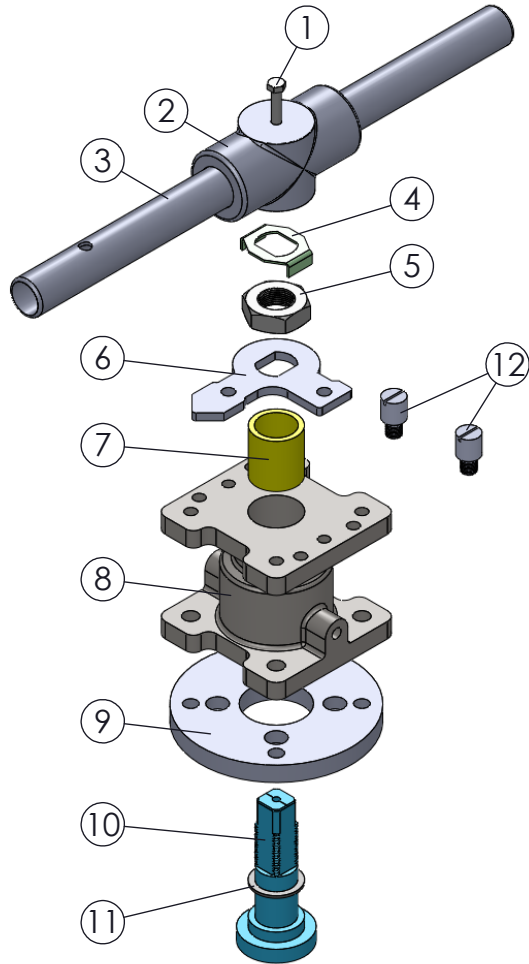
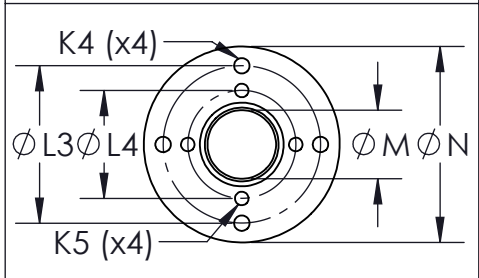
**TOPWORKS**



**BOTTOMWORKS**



**STEM EXT-CISOSB725 ONLY**



ITEM NO.	DESCRIPTION	MATERIALS	QTY.
1	HANDLE BOLT	304 STAINLESS STEEL	1
2	HANDLE ADAPTER	304 STAINLESS STEEL	1
3	PIPE HANDLE	304 STAINLESS STEEL	1
4	LOCK TAB	304 STAINLESS STEEL	1
5	STEM NUT	304 STAINLESS STEEL	1
6	STOP PLATE	304 STAINLESS STEEL	1
7	SPACER	DELRIN	1
8	STEM EXTENSION HOUSING	A351-CF8	1
9	STEM EXTENSION SPACER (FOR STEM EXT-CISOSB725 ONLY)	304 STAINLESS STEEL	1
10	STEM SHAFT	304 STAINLESS STEEL	1
11	THRUST WASHER	SUPRALON	1
12	STOP PIN	304 STAINLESS STEEL	2

DRAWN BY C.L.	DATE 06/20/2017
CHECKED BY E.P.	DATE 06/20/2017
APPROVED BY J.S.	DATE 06/20/2017

PROJECTION THIRD ANGLE

DESCRIPTION:  
**2-1/2" - 3" ISO STEM EXTENSION**

UNITS: INCH (MILLIMETERS)	DATE: 06/20/2017	REV: A
---------------------------	------------------	--------



THE INFORMATION CONTAINED IN THIS DRAWING IS THE SOLE PROPERTY OF SVF FLOW CONTROLS, INC. ANY REPRODUCTION IN PART OR IN WHOLE WITHOUT THE WRITTEN CONSENT OF SVF FLOW CONTROLS, INC. IS PROHIBITED.