



Kit Contents

1. Gauge
2. Gauge Adaptor
3. Bimetal Pocket Thermometer 0°F to 250°F (-17°C to 121°C)
4. Bimetal Pocket Thermometer -40°F to 160°F (-40°C to 71°C)
5. Carrying Case

Description & Features:

- A portable kit with durable carrying case to protect the test instruments between uses and test locations
- Includes two thermometers for high or low temperature tests
- Pressure gauge includes secondary adjustable set pointer to assist the operator in pressure test evaluations
- Hardened stainless steel gauge adaptor probe for test plug insertion
- Eliminates the need for costly, permanently installed pressure gauges or recording devices
- Multi-scale (psi/ft H₂O/kPa/meters H₂O) pressure gauge dial face for acceptance in a variety of applications
- CRN registered
- 5 year warranty

Applications:

- To determine pressure or temperature levels where test plugs are installed in the process
- Used at start-up or periodic testing of pipelines or pressure vessels
- Chilled and hot water systems, refrigeration and hydronics, pneumatics, prototype equipment, new building construction, building maintenance

Specifications

Case	Black plastic with custom cut foam inserts for parts
Pressure Gauge	3.5" (90mm) dial, brass wetted, 0-100 psi/Ft H ₂ O/kPa/meters H ₂ O, 1/4" NPT bottom with attached gauge adaptor ±2-1-2% ANSI/ASME Grade A, red stationary pointer
Gauge Adaptor (picture #2)	1.75" (45mm) x 0.125" (3mm) SS probe with 1/4" NPTF swivel gauge fitting
Thermometer (picture #3)	1" (25mm) dial, 5" (127mm) x 0.142" (4mm) stem, includes plastic sheath ±1% accuracy Range: 0°F to 250°F (-17°C to 121°C)
Thermometer (picture #4)	1" (25mm) dial, 5" (127mm) x 0.142" (4mm) stem, includes plastic sheath ±1% accuracy Range: -40°F to 160°F (-40°C to 71°C)

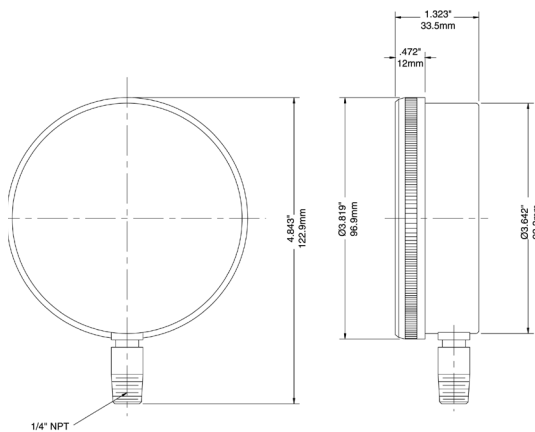
Order Codes (products in italics are normally available in 3-5 days)

Kit Code

PTK1500

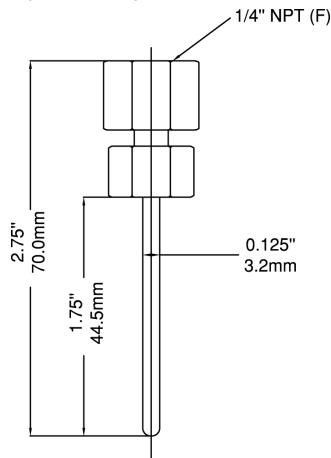
Code	Specifications Pressure Gauge
P9S90223R99STAT	3.5", 1/4 NPT bottom, 0/100 psi

Note: Contact Winters for gauges under 500 psi



Code	Specifications Gauge Adaptor
STP003	2.75" x 1.75" x 0.125" probe

Optional Adaptor: STP004 = 2.25" x 1.75" x 0.125" probe



Bimetal Pocket Thermometer		
Product Code	Temperature Range	Specifications
TBM10050B15	-40°F to 160°F only	1" dial, 5" stem
TBM10050B19	0°F to 250°F only	1" dial, 5" stem

Optional Pocket Thermometers:

- TBM10050B14 = -40° to 120°F (F only)
- TBM10050B17 = 0° to 200°F (F only)
- TBM10050B22 = 50° to 550°F (F only)
- TBM10050B4 = -40° to 160°F (Dual scale)
- TBM10050B8 = 0° to 250°F (Dual scale)
- TBM10050B11 = 50° to 550°F (Dual scale)
- TBM10050B12 = 150 to 750°F (Dual scale)
- TBM10050B31 = -20° to 120°C (C only)
- TBM10050B33 = 0° to 200°C (C only)

