

## Product Features

- Compact cable design
- Accuracy 1% of span
- 1-1/2" NPT thread standard
- For high tanks
- Heavy duty industrial design
- Good for limited top side applications.

## Description

The Intempco series LTX40 cable capacitance level transmitter is designed to measure liquids in high metallic tanks or when top side access is limited.

The probe measures level by measuring the change in capacitance as level changes in the tank.

The microprocessor-based electronics converts this capacitance change into a linear, highly accurate 4-20 mA signal.

The compact, microprocessor-based design makes installation and setup a simple task. The advanced signal conditioning circuitry greatly minimizes the adverse affects of coating media.

The series LTX40 is truly designed with tough applications in mind.

## Application / Process Notes

- Waste treatment plants
- Refineries
- Food and beverage industry
- Fire protection systems
- Water storage tanks
- Chemical holding tanks
- Many others



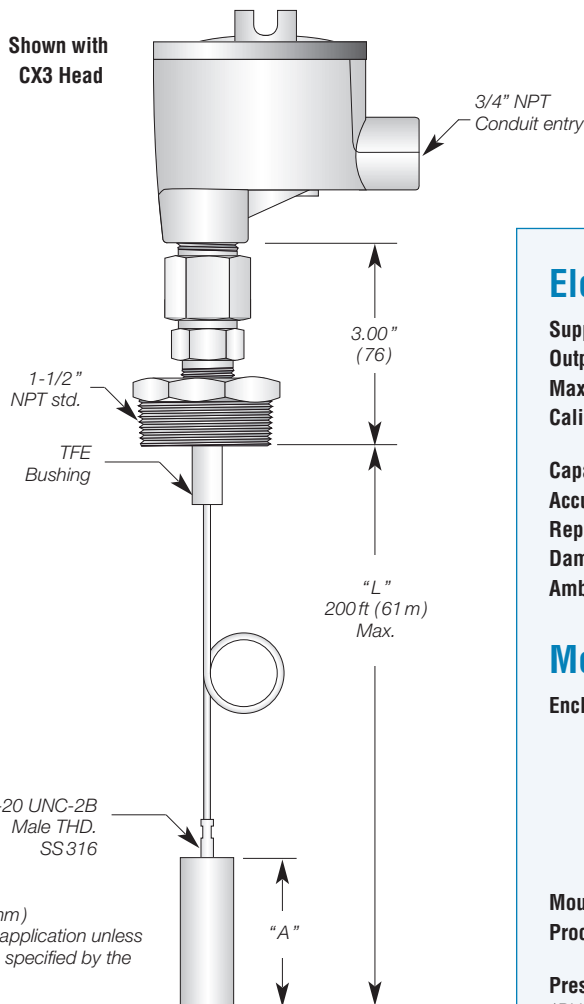
# LTX40 LEVEL SENSORS

Continuous Capacitance Level Transmitter

4-20 mA, Loop Powered



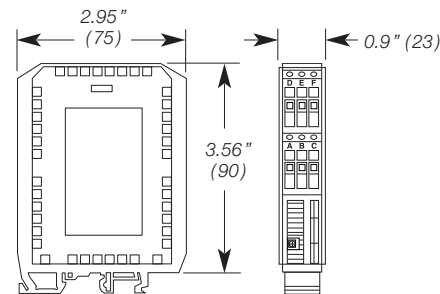
Shown with  
CX3 Head



**A** = 6" (152mm)  
For most application unless otherwise specified by the customer.

**D** = 1.25" (32mm)  
Weight for fittings larger than 1-1/4" NPT O.D. decreases for smaller fitting.

DIN Rail  
Remote Transmitter



## Electrical Specifications

<b>Supply Voltage :</b>	12 VDC-36VDC
<b>Output :</b>	4-20 mA, loop powered
<b>Maximum Loop Res.:</b>	[Vs - 10] / 0.02 (i.e. 700Ω @ 24 VDC)
<b>Calibration :</b>	Via 4 push-button switches non-interactive Zero and Span
<b>Capacitance Range :</b>	10 pF to 10000 pF
<b>Accuracy :</b>	± 1% of full span (constant dielectric)
<b>Repeatability :</b>	± 0.1 % of span
<b>Damping Adjust :</b>	0-30 sec.
<b>Ambient Temperature :</b>	-40 to 70 °C (-40 to 158 °F)

## Mechanical Specifications

<b>Enclosures</b>	<b>AH2 :</b> Aluminum, lift cover type, NEMA 4 <b>SS2 :</b> Stainless 316, NEMA 4X <b>AX3 :</b> Class I, Gps. B,C & D, Class II, Gps. E,F & G, Class III, CENELEC: EExd IIC, IP66 NEMA 4, 7BCD, 9EFG
	<b>CX3 :</b> Class I, Class II, Div 2, Gps. C&G <b>PV2 :</b> PVC, 1/2" conduit, NEMA 4X <b>PV9 :</b> PVC, Pg9 Gland, NEMA 4X
<b>Mounting Thread :</b>	1-1/2" NPT standard, others available
<b>Process Temperature:</b>	200 °C max (392 °F) consult factory for higher temperatures.
<b>Pressure Limits:</b>	500 psi (34 bar) @ 25 °C (77 °F) 250 psi (17 bar) @ 150 °C (302 °F) 14.5 psi (1 bar) @ 200 °C (392 °F) <i>(PH Model only)</i>
<b>Probe Mat'l :</b>	PFA Teflon jacketed, or bare SS316

## Ordering Information :

MODEL    BOX1    BOX2    BOX3    BOX4    BOX5    BOX6

**LTX40** -  -  -  -  -  -

BOX1 CODE	Output
LP	4-20mA, Loop Powered

BOX2 CODE	Enclosure
AX*	Explosion Proof
CX3	Explosion Proof
AH*	Aluminum Flip-Cover
SS*	Stainless Steel
PV9	PVC (Pg9 Gland)
PV2	PVC with 1/2" conduit

BOX3 CODE	Fitting
P**	Male pip size 1-1/2" NPT std.
PH**	Male pip size high pressure 1-1/2" NPT std.
S**	Flange SS316, RF 150lb.
FS**	Flange special, specify

\*\* Fitting  
**12** 1/2" NPT  
**34** 3/4" NPT  
**44** 1" NPT  
**54** 1-1/4" NPT  
**64** 1-1/2" NPT

BOX4 CODE	Probe Material
A	Teflon jacketed solid probe
B	SS316 Bare solid probe

BOX5 CODE	Probe Length "L"
---	In inches (20ft max.) Ex.: <b>065</b> = 65" long

BOX6 CODE	Options
DN	Remote DIN Rail Module

\*2 = 1/2" NPT Conduit

\*3 = 3/4" NPT Conduit

Note : See **Level Accessories Section** for Enclosure specifications and dimensions