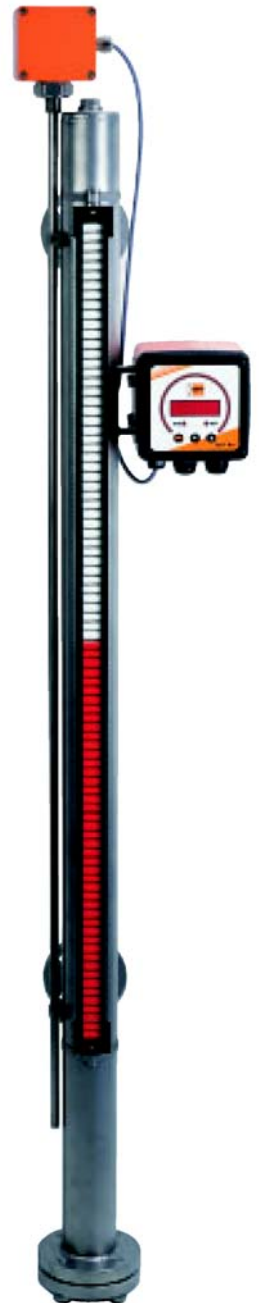


Operating Instructions for Bypass Level Indicator

Model: NBK



1. Contents

1. Contents.....	2
2. Note	3
3. Instrument Inspection.....	4
4. Regulation Use	4
4.1. Bypass Measuring Tube System	5
5. Operating Principle.....	5
6. Mechanical Connection.....	6
7. Commissioning.....	7
8. Trouble Shooting.....	7
9. Maintenance	8
10. Technical Information.....	9
11. Options.....	11
12. Order Codes	16
13. Dimensions	17
14. EC Declaration of Conformance	28

Manufactured and sold by:

KOBOLD Instruments Inc.
1801 Parkway View Drive
Pittsburgh PA 15205-1422
Tel.: 412-788-2830
Fax: 412-788-4980
E-Mail: info@koboldusa.com
Internet: www.koboldusa.com

2. Note

Please read these operating instructions before unpacking and setting the unit into operation. Follow the instructions precisely as described herein.

The instruction manuals on our website www.kobold.com are always for currently manufactured version of our products. Due to technical changes, the instruction manuals available online may not always correspond to the product version you have purchased. If you need an instruction manual that corresponds to the purchased product version, you can request it from us free of charge by email (info.de@kobold.com) in PDF format, specifying the relevant invoice number and serial number. If you wish, the operating instructions can also be sent to you by post in paper form against an applicable postage fee.

The devices are only to be used, maintained and serviced by persons familiar with these operating instructions and in accordance with local regulations applying to Health & Safety and prevention of accidents.

When used in machines, the measuring unit should be used only when the machines fulfil the EC-guidelines.

Classification according to Pressure Equipment Directive 2014/68/EU NBK-03 to NBK-33

Category assignment for dangerous media (from diagram 1)													
	Density [kg/dm ³]	PN [bar]	Category	ML [mm]	Category	ML [mm]	Category	ML [mm]	Category	ML [mm]	Category	ML [mm]	
NBK-03	1,0	16	← Art.4, Para. 3←	≤317	← Cat. I →	945	← Cat. II →	4711	← Cat. III →	24795	← Cat. IV →	- / -	
	0,9/0,8/0,7/ 0,6/0,54			≤207		835		4600		24685		- / -	
NBK-06	1,0	40				192		1698			9732		∞
	0,9/0,8/0,7				82	1588	9622	∞					
NBK-07	1,0	63			-----	128		1060			6504		∞
	0,9/0,8/0,7				-----	18	950	6394		∞			
NBK-10	1,0	100			-----	140		577			4084		∞
	0,9/0,8				-----	30	467	3974		∞			
NBK-31	1,0	160									≤2090		5600
	0,9									≤2020		5600	
	0,8									≤1900		5400	
NBK-32	1,0	250									≤1180		5600
	0,9							≤1110		5600			
	0,8							≤985		5400			
NBK-33	1,0	320							≤1040		5600		
	0,9							≤970		5500			
	0,8							≤830		5400			

ATTENTION! If the calculated bypass length is exactly within the range limit, then the stricter test method must be used

Classification according to Pressure Equipment Directive 2014/68/EU NBK-03 to NBK-33

Category assignment for not dangerous media (from diagram 2)														
	Density [kg/dm ³]	PN [bar]	Category	ML [mm]	Kategorie	ML [mm]	Category	ML [mm]	Category	ML [mm]	Category	ML [mm]		
NBK-03	1,0	16	← Art.4, Para. 3←	≤945	← Cat. I →	4711	← Cat. II →	24795	← Cat. III →	75007	- / -			
	0,9/0,8/0,7/ 0,6/0,54			≤835		4600		24685		74897	- / -			
NBK-06	1,0	40		≤192		1698		9732		29816	- / -			
	0,9/0,8/0,7			≤82		1588		9622		29706	- / -			
NBK-07	1,0	63		≤128		1060		6504		20112	← Cat. IV →	∞		
	0,9/0,8/0,7			≤18		950		6394		20002		∞		
NBK-10	1,0	100		≤140		577		4084		12849		∞		
	0,9/0,8			≤30		467		3974		12739		∞		
NBK-31	1,0	160								≤2090			5600	- / -
	0,9									≤2020			5600	- / -
	0,8									≤1900			5400	- / -
NBK-32	1,0	250								≤1180			4410	5600
	0,9					≤1110		4340	5600					
	0,8					≤985		4220	5400					
NBK-33	1,0	320				≤1040		4090	5600					
	0,9					≤970		4010	5500					
	0,8					≤830		3870	5400					

ATTENTION! If the calculated bypass length is exactly within the range limit, then the stricter test method must be used

3. Instrument Inspection

Instruments are inspected before shipping and sent out in perfect condition. Should damage to a device be visible, we recommend a thorough inspection of the delivery packaging. In case of damage, please inform your parcel service / forwarding agent immediately, since they are responsible for damages during transit.

Scope of delivery:

The standard delivery includes:

- Bypass Level Indicator model: NBK

4. Regulation Use

Any use of the Bypass level Indicator, model: NBK, which exceeds the manufacturer's specification may invalidate its warranty. Therefore, any resulting damage is not the responsibility of the manufacturer. The user assumes all risk for such usage.

The NBK Bypass Level Indicator is used for continuous measurement, indication, and monitoring of liquids in tanks, vessels, reservoirs, basins etc. The indication occurs via a magnetically coupled roller indicator.

4.1. Bypass Measuring Tube System

The bypass tube is attached at the side of the vessel with a connecting flange or a threaded pipe. The installation position is always vertical. The NBK should only be used for liquids with the medium density specified on the nameplate. Otherwise the indication will deviate (float too high or submerged).

Vessel inner pressure and medium temperature should not exceed the specified maximum values, as this can lead to the destruction and malfunction of the bypass system. It is imperative that the materials used are compatible with the liquid being measured.

Proper operation is also impaired by:

- High degree of soiling
- Suspended solids
- Crystallisation
- Ferrite particles

5. Operating Principle

Kobold Bypass Level Indicators are used for continuous measurement, display and monitoring of liquid levels. The bypass tube is attached onto the side wall of the vessel. According to the law of communicating tubes the level in the bypass tube equals the level in the vessel. A float with embedded circular magnets in the bypass tube follows the liquid level and transfers it in a non-contacting manner to a display fitted outside the tube or to a monitoring device. The following indication and monitoring devices are available:

Magnetic roller indicator

As the float passes by, the red/white rollers are rotated in succession by 180° around their own axes. The rollers change from white to red as the level rises and from red to white as the level falls. The advantage of ball displays is the higher protection category, good visibility of 180° and higher vibration resistance with filled version. The level in a tank or a mixer is continuously displayed as a red column, even when the power supply fails.

Transmitter

To remotely transmit the level a transmitter with an immersible magnetic probe (chain of resistors) or a magnetostrictive transducer can be mounted outside the bypass tube. The contacts of a reed contact chain are connected or disconnected via the float movement in a non-contacting manner. Depending on the level the number of connected resistors changes and as a consequence the output of the total resistor value. A continuous standard signal of 4 to 20 mA is generated by means of a fitted transmitter. This standard signal can then be displayed on analogue or digital indicating devices. Communication controls HART®, PROFIBUS® - PA or FOUNDATION™ Fieldbus are optional.

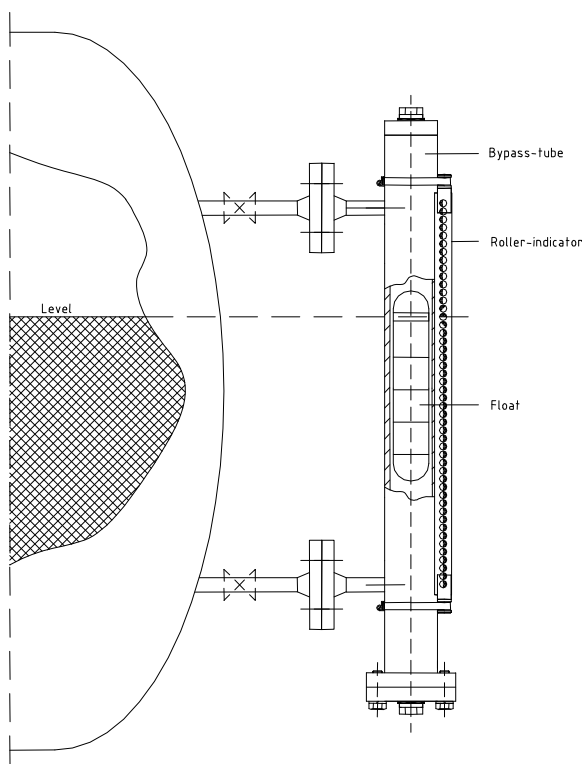
Universal indicating unit

A universal indicating unit of type series ADI can be mounted on the bypass to display and evaluate the standard signal (4–20 mA) generated by the transmitter.

Limit contacts

One or more reed contacts for limit-value acquisition or also for level control can be attached to the bypass tube.

6. Mechanical Connection



Remove bottom flange from bypass tube, and insert the cylindrical float in the NBK bypass tube with the designation "TOP" at the top. Reposition the gasket and close the bottom flange again; firmly tighten with screws.

Mount the bypass tube to the vessel to be monitored via the process connection and seal with an appropriate device. Normally it is sufficient to fix the complete NBK with both process connections. However, should the NBK be subjected to constant shock or strong vibrations it is recommended that the instrument is secured with rubber-damped tube clips. No welding is allowed on the bypass tube.

Mount and tighten the **magnetic roller indicator** - if not already mounted - on the bypass tube with the two provided ribbon clamps.

7. Commissioning

Because of the setting behaviour of seals, all screw connections must be retightened.

Fill vessel and switch on electrical controller, if available. If there are gate valves between bypass process connection and tank, first slowly open the upper valve (pressure relief) and then the lower valve (liquid side). If vent and drain valves have been installed, close them before filling.

The liquid that now enters the bypass tube raises the float until the level between tank and bypass tube is balanced. The roller indicator indicates the liquid level.



For media with high operating temperatures, the surface of the level indicator also heats up. The operator must take appropriate measures to prevent accidental contact with such surfaces (protective cage). If this is not structurally possible under certain conditions, appropriate protective clothing must be worn in the area of the level indicator.

8. Trouble Shooting

Error: The tank is full but there is no indication

- Check that both flanges (process connection), top and bottom, are open to the vessel, and that the bypass tube fills with liquid.
- Check that there is a float in the system.
- When the float is installed, check whether it is being blocked by foreign objects or dirt deposits.

Error: The tank is full but the indication is too low.

- Check that the density of the liquid is the same as the density given on the nameplate.
- Check that the float has been correctly installed with the marking "TOP" at the top.
- Check if dirt deposits in the bypass tube are blocking the float.

9. Maintenance

The drain plug should be opened occasionally, to wash out any deposits in case the liquid to be measured contains dirt particles, which could settle in the bypass tube.

If crust formation or crystallisation has taken place, the tank must be emptied or shut off; the lower cover flange must then be removed. The float should then be removed carefully out of the bypass. The bypass tube can now be mechanically cleaned.

The inspection window for the roller indication is made of high-quality plexiglass (glass for high-temperature display). It should be cleaned with a suitable cleaning agent.

The indicator requires no further maintenance.

10. Technical Information

Process Connection:	Flange DIN EN 1092-1, type 11, form B1 DN 15, DN 20, DN 25, DN 32 DN 40, DN 50 Flange ASME B 16.5-2009 RF ½", ¾", 1", 1¼", 1½", 2" R-thread DIN EN 10226-1 ½", ¾", 1", 1¼" NPT ANSI/ASME B1.20.1 ½", ¾", 1", 1¼"
Bypass tube:	Ø 60.3 mm, 1.4571 (NBK-03/ ... /10) Ø 71.0 mm, 1.4571 (NBK-31) Ø 76.1 mm, 1.4571 (NBK-32/33)
NBK-03,-06,-07:	flat gasket: <200 °C: PTFE; ≥200 °C: Klinger SIL®
NBK-10:	reinforced graphite
NBK-31/32/33:	RTJ-seal
Operating pressure:	PN 16/40/63/100/160/250/320
Operating temperature:	-20...+120 °C (POM rollers) -40...+400 °C (ceramic rollers) -104...+200 °C (ball display) -60...+100 °C (NBK-31, -32, -33)
Viscosity:	max. 200 mm ² /s standard (Option: up to max. 460 mm ² /s for NBK-03)
Max. measuring length:	up to 5500 mm: single-part, longer two-part or multipart
Overall length:	see dimension drawing
ATEX approval:	see separate datasheet

Roller display RP (max. length 5500 mm)

Material roller:	POM
Display glass:	PMMA
Carrier frame material:	Aluminium, black anodised
Medium temperature:	-20 °C...+120 °C
Ambient temperature:	-20...+80 °C
Protection:	IP54

Roller display RK (max. length 5500 mm)

Material roller:	Ceramic
Display glass:	Borosilicate glass
Carrier frame material:	Aluminium, black anodised
Medium temperature:	-40 °C...400 °C
Ambient temperature:	-40...+250 °C
Protection:	IP54

Ball display model KP (max. length 3800 mm one-piece)*

Material ball:	PA
Sight tube:	PMMA
Sealing plug:	Aluminium
Seal:	NBR
Ball support rail:	Aluminium, black anodised
Carrier frame:	Stainless steel 1.4301
Scale:	PVC, stainless steel 1.4301 (option M)
Medium temperature:	-20...+80 °C
Ambient temperature:	-20...+80 °C
Protection:	IP66

Ball display model KM (max. length 3800 mm one-piece)*

Material ball:	PA – high temperature strength
Sight tube:	PC
Sealing plug:	Aluminium
Seal:	FKM
Ball support rail:	Aluminium, black anodised
Carrier frame:	Stainless steel 1.4301
Scale:	PVC, stainless steel 1.4301 (option MV)
Medium temperature:	-60...+120 °C
Ambient temperature:	-20...+80 °C
Protection:	IP66

Ball display model KF (max. length 3800 mm one-piece)*



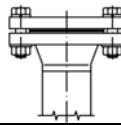
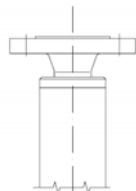
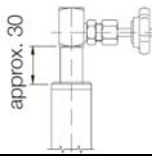
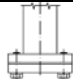
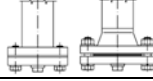
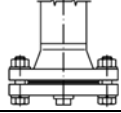
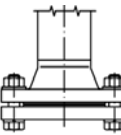
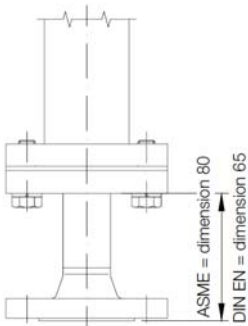
Filling:	silicone oil
Material ball:	PA – high temperature
Sight tube:	PC
Sealing plug:	Stainless steel, 1.4571
Seal:	FKM
Ball support rail:	Aluminium, black anodised
Carrier frame:	Stainless steel 1.4301
Scale:	PVC, stainless steel 1.4301 (option MV)
Medium temperature:	-104...+120 °C
Ambient temperature:	-20...+80 °C
Protection:	IP66

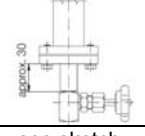
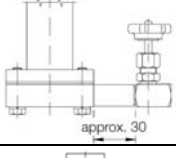
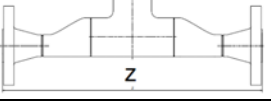
Ball display model KG (max. length 3000 mm one-piece)*



Material ball:	PA – high temperature strength
Sight tube:	Borosilicate glass
Sealing plug:	Stainless steel, 1.4571
Seal:	FKM
Ball support rail:	Aluminium, black anodised
Carrier frame:	Stainless steel 1.4301
Scale:	stainless steel 1.4301
Medium temperature:	-20...+200 °C
Ambient temperature:	-20...+200 °C
Protection:	IP66

* in case of multi-port design, a display length from 32 mm is not readable

11. Options

Code	Description	Sketch/picture	Availability
Top bypass tube connections			
V0	Without vent plug		NBK-03/06/07 NBK-10/31/32/33, standard
VG	With vent plug G 1/2" (DIN flange) 1/2" NPT (ASME flange)		NBK-10 NBK-03/06/07, standard
VF ¹⁾³⁾	Flange connection DN50 (pressure rating as process flange)		NBK-03/06/07/10
VA ¹⁾³⁾	Flange connection 2" ASME (pressure rating as process flange)		NBK-03/06/07/10
V4 ³⁾	Vent flange DN15, stainless steel 1.4571 (pressure rating as process flange)		NBK-03/06
V5 ³⁾	Vent flange DN20, stainless steel 1.4571 (pressure rating as process flange)		NBK-03/06
V6 ³⁾	Vent flange DN25, stainless steel 1.4571 (pressure rating as process flange)		NBK-03/06
V7 ³⁾	Vent flange 1/2" ASME, stainless steel 1.4571 (316 Ti) (pressure rating as process flange)		NBK-03/06
V8 ³⁾	Vent flange 3/4" ASME, stainless steel 1.4571 (316 Ti) (pressure rating as process flange)		NBK-03/06
V9 ³⁾	Vent flange 1" ASME, stainless steel 1.4571 (316 Ti) (pressure rating as process flange)		NBK-03/06
V2	Vent valve NAD-MMN15, 1/2" NPT, stainless steel 1.4571 (316 Ti), max. temp.: +120 °C		
V3	Vent valve NAD-MMR15, G 1/2, stainless steel 1.4571, max. temp.: +120 °C	NBK-03/06	
Bottom bypass tube connections			
D0	Without drain plug		NBK-03/06 NBK-10/31/32/33 standard
DG	With drain plug G 1/2" (DIN flange) 1/2" NPT (ASME flange)	NBK-03/06  NBK-07/10	NBK-10 NBK-03/06/07, standard
DF	Flange connection DN50 (pressure rating as process flange), with drain plug G 1/2"		NBK-03/06
DA	Flange connection 2" ASME (pressure rating as process flange), with drain plug 1/2" NPT		NBK-03/06
DC	Flange connection DN50 (pressure rating as process flange), without drain plug		NBK-03/06/07
DD	Flange connection 2" ASME (pressure rating as process flange), without drain plug		NBK-03/06/07
E4	Drain flange DN15, stainless steel 1.4571 (pressure rating as process flange)		NBK-03/06
E5	Drain flange DN20, stainless steel 1.4571 (pressure rating as process flange)		NBK-03/06
E6	Drain flange DN25, stainless steel 1.4571 (pressure rating as process flange)		NBK-03/06
E7	Drain flange 1/2" ASME, stainless steel 1.4571 (316 Ti) (pressure rating as process flange)		NBK-03/06
E8	Drain flange 3/4" ASME, stainless steel 1.4571 (316 Ti) (pressure rating as process flange)		NBK-03/06
E9	Drain flange 1" ASME, stainless steel 1.4571 (316 Ti) (pressure rating as process flange)		NBK-03/06

Code	Description	Sketch/picture	Availability
F1	Drain valve NAD-MMR15, G ½, stainless steel 1.4571, max. temp.: +120 °C		NBK-03/06
F2	Drain valve NAD MMN15, ½" NPT, stainless steel 1.4571 (316 Ti), max. temp.: +120 °C		NBK-03/06
DS	Drain socket DN15	see sketch	NBK-03
D2	Drain valve NAD-MMN15, ½" NPT, horizontally mounted, stainless steel 1.4571 (316 Ti), max. temp.: +120 °C		NBK-03/06
D3	Drain valve NAD-MMR15, G ½, horizontally mounted, stainless steel 1.4571 (316 Ti), max. temp.: +120 °C		NBK-03/06
RF	Dead space free version DN25, stainless steel 1.4571 (pressure rating as process flange)		NBK-06
RA	Dead space free version 1" ASME, stainless steel 1.4571 (316 Ti), (pressure rating as process flange)		NBK-03/06
Process connection options			
ST ³⁾	1 x process connection side, 1 process connection vertical on top	see sketch	NBK-03/06/07/10
TS ³⁾	1 x process connection side, 1 process connection vertical at bottom	see sketch	NBK-03/06/07/10
TT ³⁾	2 x process connection vertical, up to DN25 or 1" ASME	see sketch	NBK-03/06/07/10
Scales			
(Ball displays are always delivered with scales, see technical data/sketch for resolution)			
MV	Scale made of stainless steel 1.4301 (only with ball display model KP/KM/KF, standard with model KG)	see sketch	NBK-03/06/07/10/31/32/33
M1	Measuring scale, medium temperature -40 °C...+400 °C, engraved scale made of aluminium	see sketch	NBK-03/06/07/10/31/32/33
M2	Measuring scale, medium temperature -40 °C...+150 °C, scale backing made of aluminium with polyester foil	see sketch	NBK-03/06/07/10/31/32/33
Thermal screening			
N	Thermal screening for sensor	see sketch	NBK-03/06/07/10/31/32/33
Display options			
Heating jacket			
L1	Connection for heating jacket DN 15/PN 16 Form B1 DIN-EN 1092-1	see sketch	NBK-03/06/07/10
L2	Connection for heating jacket DN 20/PN 16 Form B1 DIN-EN 1092-1		NBK-03/06/07/10
L3	Connection for heating jacket DN 25/PN 16 Form B1 DIN-EN 1092-1		NBK-03/06/07/10
L4	Connection for heating jacket DN 32/PN 16 Form B1 DIN-EN 1092-1		NBK-03/06/07/10
LA	Connection for heating jacket ½" Class 150 RF ASME B16.5-2003 (Class 300 flanges on request)		NBK-03/06/07/10
LB	Connection for heating jacket ¾" Class 150 RF ASME B16.5-2003 (Class 300 flanges on request)		NBK-03/06/07/10
LC	Connection for heating jacket 1" Class 150 RF ASME B16.5-2003 (Class 300 flanges on request)		NBK-03/06/07/10
LD	Connection for heating jacket 1¼" Class 150 RF ASME B16.5-2003 (Class 300 flanges on request)		NBK-03/06/07/10
Electrical outputs			
MU	Option M with connection box at bottom, for easy access to connection box		NBK-03/06/07/10/31/32/33
MS	Option M with connection box at 100 mm distance, max. medium temperature = +300 °C (Thermal screening option N mandatory with this option)		NBK-03/06/07/10/31/32/33
MK	Option and connection box 5000 mm silicone cable, max. medium temperature = +400 °C (Thermal screening option N mandatory with this option)		NBK-03/06/07/10/31/32/33

Code	Description	Sketch/picture	Availability
Display options			
AE	Aluminium die-cast housing, LED digital display, connection box at bottom (only in combination with transmitter option A)		NBK-03/06/07/10/31/32/33
AC	Aluminium die-cast housing, LCD digital display, connection box at bottom (only in combination with transmitter option A)	as AE, however with LCD display	NBK-03/06/07/10/31/32/33
HE	Aluminium die-cast housing, LED digital display, connection box at bottom (only in combination with transmitter option H)		NBK-03/06/07/10/31/32/33
HC	Aluminium die-cast housing, LCD digital display, connection box at bottom (only in combination with transmitter option H)	as HE, however with LCD display	NBK-03/06/07/10/31/32/33
C²⁾	Indicating unit ADI-1 with bargraph and digital display, rugged aluminium housing, mounted at bypass tube, for description see data sheet ADI-1	see cover page / sketch	NBK-03/06/07/10/31/32/33
Additional options			
A	Connection flange for 2-part version (not possible with sensor), split roller display and scale possible	see sketch	NBK-03/06/07/10
HL	Retaining plate, centric between process connections, necessary from L > 5000 mm (alternative option HF)	see sketch	NBK-03/06/07/10/31/32/33
HF	Retaining flange, centric between process connections, necessary from L > 5000 mm (alternative option HL)	see sketch	NBK-03/06/07/10/31/32/33
K	Armaflex-insulation (heat co-efficient 0.025 kcal / m °C, up to 105 °C)	-	NBK-03/06/07/10
Tests/certificates			
P	Radiographic examination DIN 54 111 T1 (only for V-seam)	-	NBK-03/06/07/10/31/32/33
Q	Dye penetration test DIN EN 571-1	-	NBK-03/06/07/10/31/32/33
X	Pressure test with water 1.5 x PN	-	NBK-03/06/07/10/31/32/33
Z	Material certification 3.1 acc. to EN 10204	-	NBK-03/06/07/10/31/32/33
MR	Material acc. to NACE MR 0103/ISO15156 (MR0175), Declaration of conformance	-	NBK-03/06/07/10/31/32/33
WV	Positive Material Identification (PMI)	-	NBK-03/06/07/10/31/32/33
SF	Oil and fat free	-	NBK-03/06/07/10/31/32/33

¹⁾ Not possible with transmitter options H/F

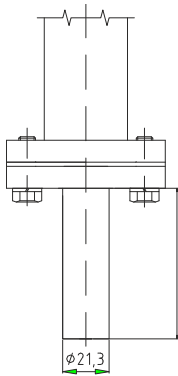
²⁾ Only possible with option T (magnetostrictive sensor) or option M (reed chain with transmitter)

³⁾ Not possible with option T

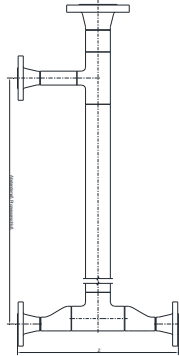
Note: Please pay attention to max. permissible temperature limits of individual components.

Sketches of selected options

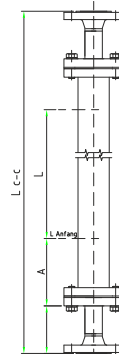
Option DS



Option RF/RA

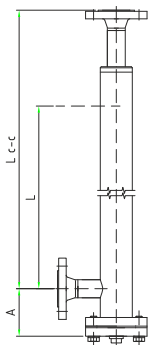


Option TT

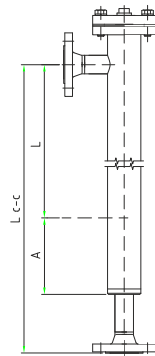
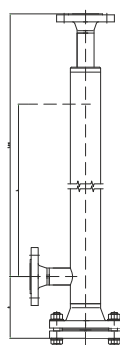


Option	Process connection below	Dimension Z
RF	V-flange DN25 PN40	approx. 360
RA	V-flange CI 150 1"	approx. 390
RA	V-flange CI 300 1"	approx. 405

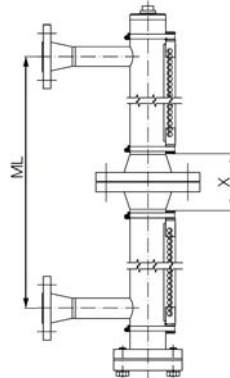
Option ST



Option TS



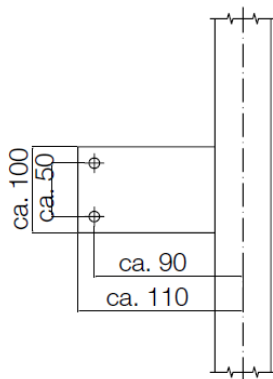
Option A



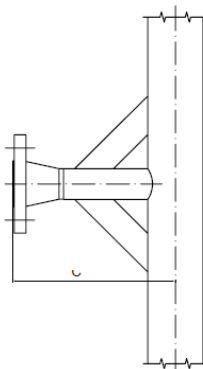
In this range, no display is possible

Model	Dimension X
NBK-03	92
NBK-06	98
NBK-07	127
NBK-10	139

**Option HL
(centred to dimension L)**

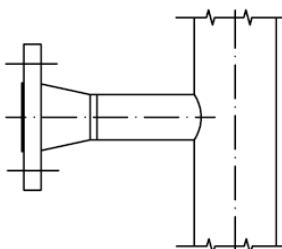


**Option HF
(centred to dimension L)**

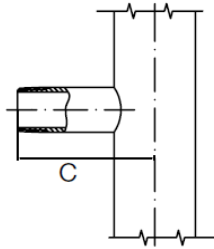


Options process connection

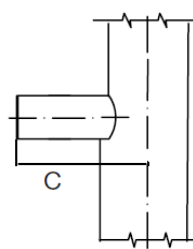
Option F/A



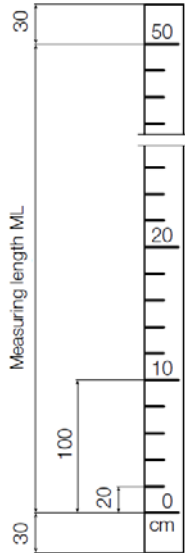
Option R/N



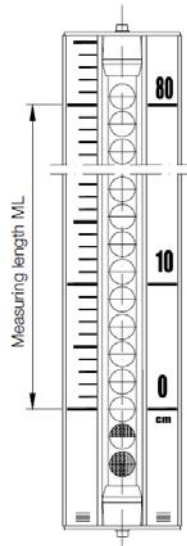
Option S



**Measuring scale,
Aluminium**
Option M1 – engraved scale
Option M2 – polyester foil



**Measuring scale screen print
stainless steel carrier**
(standard scope of supply with ball display)



Float models (closed design)

Model	Min. density [kg/dm ³]	Material
A	1.0	titanium
B	0.9	titanium
C	0.8	titanium
D	0.7	titanium
E	0.6	titanium
F*	0.54	titanium
V	1.0	stainless steel
W	0.8	stainless steel
H	0.8	CF340
Interface float	Min. density difference = 150 kg/dm ³ (indicate both densities)	titanium

*Option N not possible. Not for NBK-10, special float for special medium densities (taring) or reduced length A on request.

12. Order Codes

Order Details (Example: NBK-03 F15 00 0 A)

Model	Nominal pressure	Connection	Nominal size	Roller/ ball indication	Sensor/ Transmitter	Medium density float	Options
NBK-03...	PN16/ Class 150	F =DIN-flange A =ASME-flange R ³⁾ =R-male-thread N ³⁾ =NPT-male-thread S ⁴⁾ = welding-nipple	15 =DN 15, 1/2" 20 =DN 20, 3/4" 25 =DN 25, 1" 32 =DN 32, 1 1/4" 40 = DN 40, 1 1/2" 50 = DN 50, 2" XX ⁸⁾ = special connection	00 = without RP = POM-roller RK = ceramic roller KP = ball display with Plexiglas [®] sight tube KM = ball display with Makrolon [®] sight tube KF = as KM however with oil filling KG = ball display with borosilicate sight tube	0 = without transmitter T = magnetostrictive probe/ 4...20 mA, 4-wire W = reed chain/without transmitter M = reed chain/4...20 mA, HART [®] , 2-wire A ⁹⁾ = reed chain/4...20 mA, 2-wire H = reed chain/ 4...20 mA, HART [®] , 2-wire F = reed chain/PROFIBUS [®] PA Foundation [™] Fieldbus	A = 1.0 kg/dm ³ , titanium for viscosity up to 200 cP B = 0.90 kg/dm ³ , titanium for viscosity up to 200 cP C = 0.80 kg/dm ³ , titanium for viscosity up to 200 cP D = 0.70 kg/dm ³ , titanium for viscosity up to 200 cP E = 0.60 kg/dm ³ , titanium for viscosity up to 200 cP F ⁵⁾ = 0.54kg/dm ³ , titanium for viscosity up to 200 cP V ⁵⁾ = 1.0 kg/dm ³ , stainless steel for viscosity up to 460 mm ² /s W ⁵⁾ = 0.8 kg/dm ³ , stainless steel for viscosity up to 460 mm ² /s Y = special density, titanium (specify in clear text) H = high pressure floater, CF340 viscosity up to 200 cP (medium S.G.: ≥ 0.8; specify in clear text)	0 = without options or options as in list and description (see separate options list)
NBK-06...	PN 40/ Class 300						
NBK-07...	PN63/ Class 400						
NBK-10...	PN 100/Class 600						
NBK-31...	PN 160/ Class 900	F =DIN-flange A =ASME-flange	15 =DN 15, 1/2"				
NBK-32...	PN 250/ Class 1500		20 ⁷⁾ =DN 20, 3/4"				
NBK-33...	PN 320		25 =DN 25, 1"				
NBK-R	Standard limit contact (bistable changeover contact)						
NBK-RT200	High-temperature limit contact max. 200°C						
NBK-RT400	High-temperature limit contact max. 400°C						
NBK-RV200NO	limit contact, bistable, N/O, max. +200 °C (suitable for vessels with strong vibrations)						
NBK-RV200NC	limit contact, bistable, N/C, max. +200 °C (suitable for vessels with strong vibrations)						
NBK-RN200NO	limit contact, bistable, NAMUR, N/O, max. +200 °C (suitable for vessels with strong vibrations)						
NBK-RN200NC	limit contact, bistable, NAMUR, N/C, max. +200 °C (suitable for vessels with strong vibrations)						

³⁾ Only possible with nominal diameter code 15/20/25/32 (female thread on request) ⁴⁾ Only possible with NBK-03/06 and nominal size code 15/20/25/32

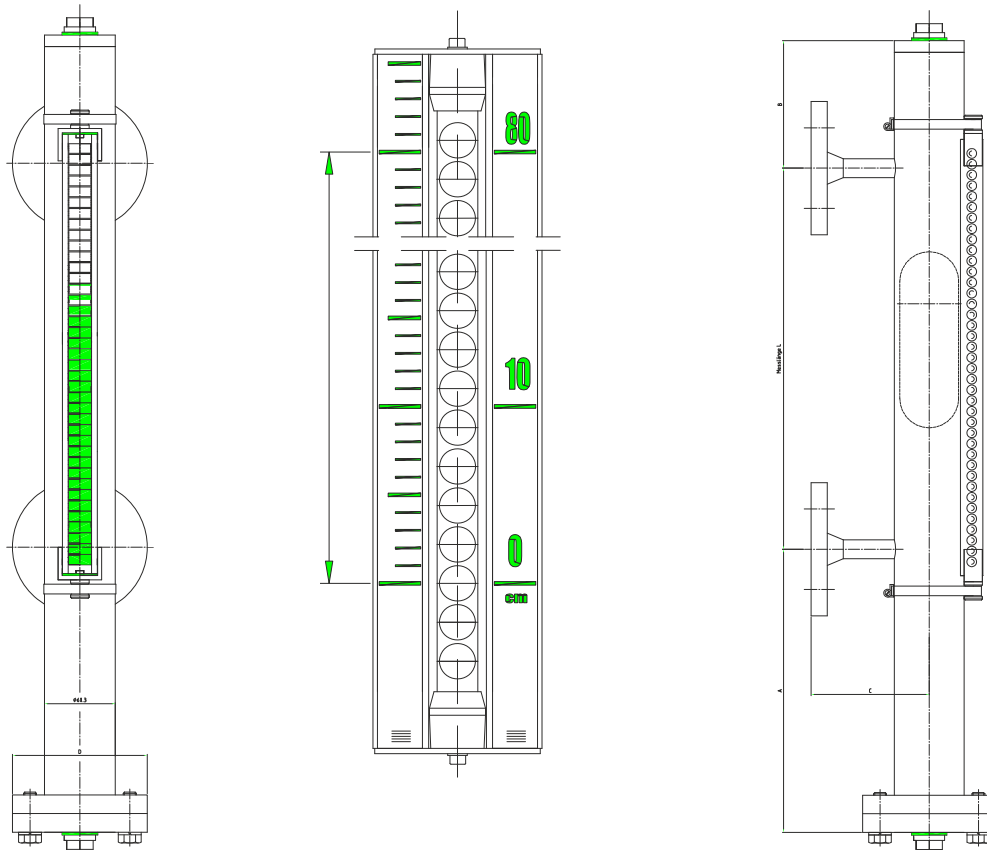
⁵⁾ Only possible with NBK-03 ⁶⁾ Not possible with NBK-10 ⁷⁾ Only possible for connection A, ASME ⁸⁾ Specify in clear text

⁹⁾ Only with options AE and AC

Measuring length L, density and temperature please specify in clear text!

13. Dimensions

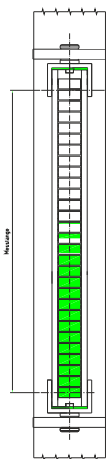
NBK-03/06/07/10 with roller indicator/ball display



Dimension NBK

Model	Rated pressure	ø	B	D	C								
					x15 ... x25	x32	F40	A40	F50	A50			
NBK-03	PN 16	60,3	130	115	110	110	130	-	140	-			
	Class 150						-	145	-	160			
NBK-06	PN 40						130	-	145	-			
	Class 300						-	155	-	165			
NBK-07	PN 63						180	150	150	145	-	160	-
	Class 400									-	160	-	175
NBK-10	PN 100			195	145	-				165	-		
	Class 600				-	160	-	175					
NBK-31	PN160			71	150	245	180						
	Class900			76,1									
NBK-32	PN 250												
	Class 1500												
NBK-33	PN 320	170	265	210									

NBK-10/-31/-32/-33
always without vent
plug and without
drain plug

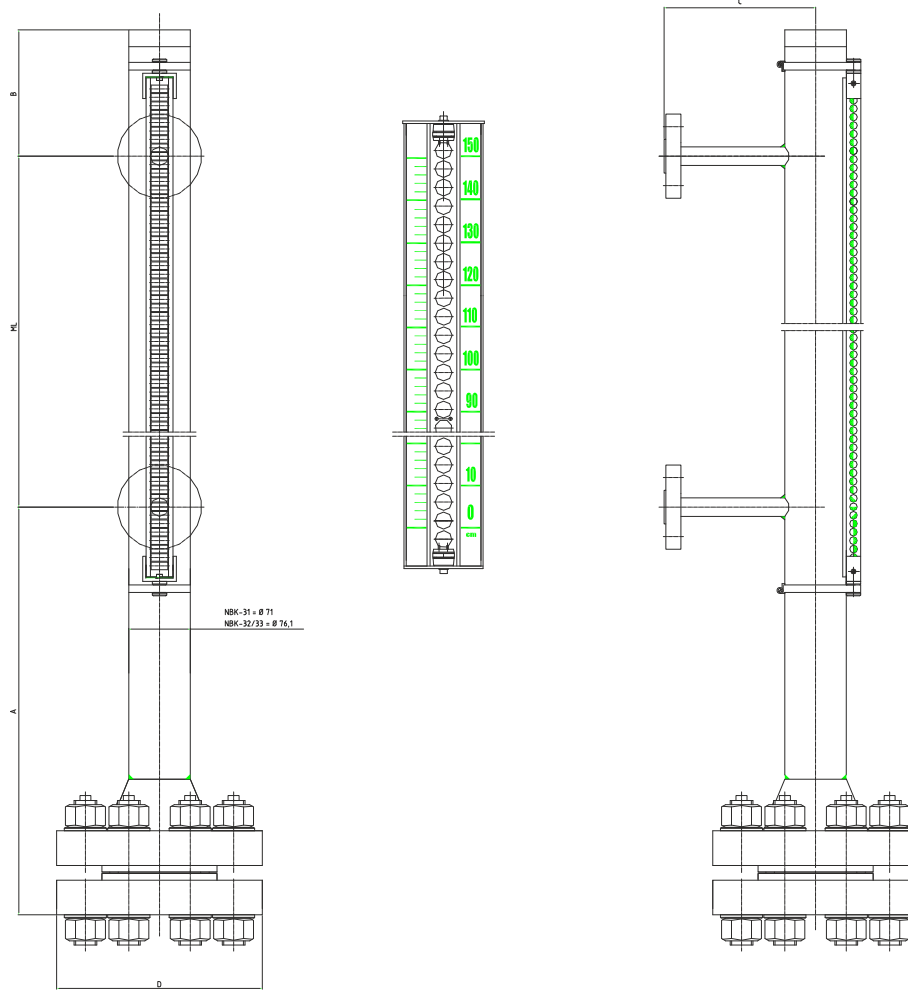


Clearance dimension A [mm]

Model	Rated pressure	Medium density					
		0.54 [kg/dm ³]	0.6 [kg/dm ³]	0.7 [kg/dm ³]	0.8 [kg/dm ³]	0.9 [kg/dm ³]	1 [kg/dm ³]
NBK-03...	PN 16 / Class 150	320	320	320	320	320	210
NBK-06...	PN 40 / Class 300	410	410	320	320	320	210
NBK-07...	PN 63 / Class 400	410	410	320	320	320	210
NBK-10...	PN 100 / Class 600	-	700*	410**	320	320	210
NBK-31...	PN 160 / Class 900	-	-	-	540	415	345
NBK-32...	PN 250 / Class 1500	-	-	-	540	415	345
NBK-33...	PN 320	-	-	-	595	460	385

* 800 for units with thermal screening; **450 for units with thermal screening

NBK-31/32/33 with roller indicator/ball display



DIN EN 1092-1:2008-09 (extract)										
PN	Material	Maximum allowable temperature TS in °C								
		RT	100	150	200	250	300	350	400	
		Maximum allowable pressure PS in bar								
6	1.4571 (15E0)	6.0	6.0	5.8	5.6	5.3	5.0	4.8	4.6	
16		16.0	16.0	15.6	14.9	14.1	13.3	12.8	12.4	
40		40.0	40.0	39.2	37.3	35.4	33.3	32.1	31.2	
63		63.0	63.0	61.8	58.8	55.8	52.5	50.7	49.2	
100		100.0	100.0	98.0	93.3	88.5	83.3	80.4	78.0	
160		160.0	160.0							
250		250.0	250.0							
320	320.0	320.0								

Remarks:

RT = -10 °C ... +50 °C

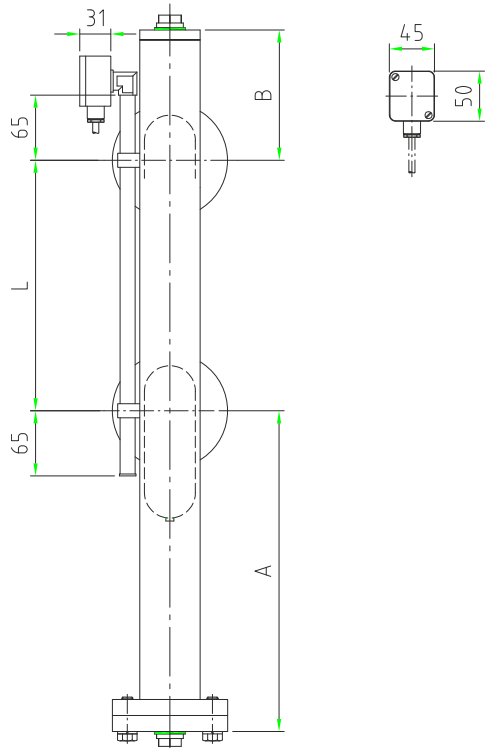
TS = maximum allowable temperature in °C, temperature which is defined by pressure equipment manufacturer, for which the pressure equipment is designed

PS = aximum allowable pressure, pressure which is defined by pressure equipment manufacturer, for which the plant is designed. 1.4571 (15E0) was calculated with help of creep resistance values of 100 000 h acc. to EN-Material Norms considering the safety value.

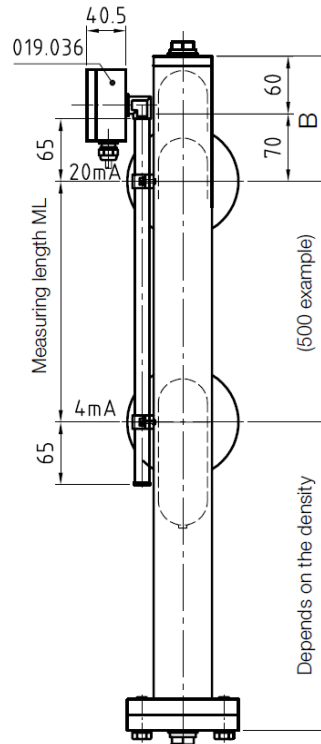
At intermediate temperatures e.g. 120 °C, a linear interpolation is to be carried out between 2 following creep resistance values, e.g. of 100 °C and 150 °C. The pressure/temperature assignment is valid for the following flange models with sizes up to DN 100 used by KOBOLD.

Model No. and nomination: 05 Blind flange, 11 Welding neck flange

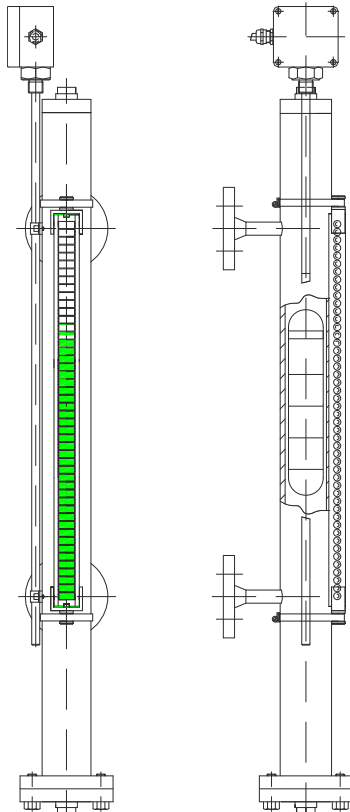
NBK-... with reed chain model W



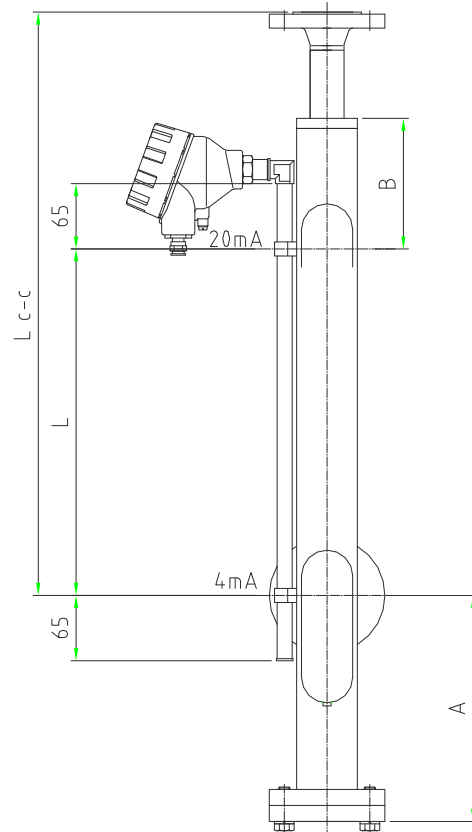
NBK-... with transmitter model M



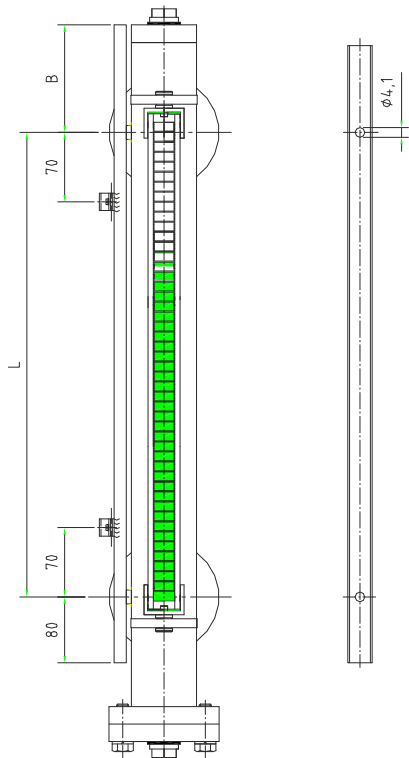
NBK-... with transmitter model T



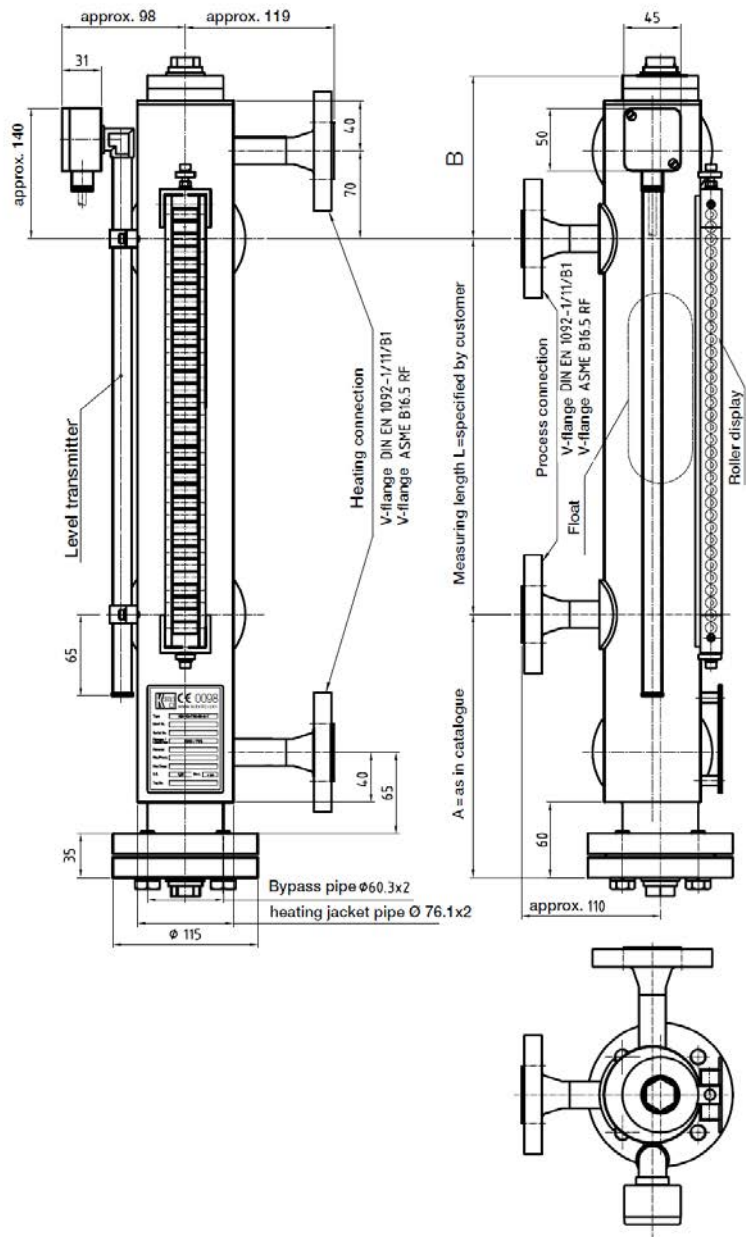
NBK-... with transmitter options H/F
(not possible with options VA/VF)



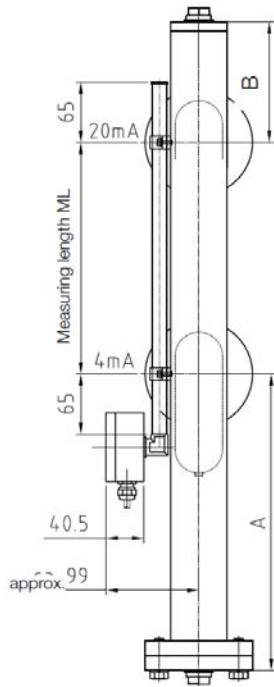
NBK-... with thermal screen option N



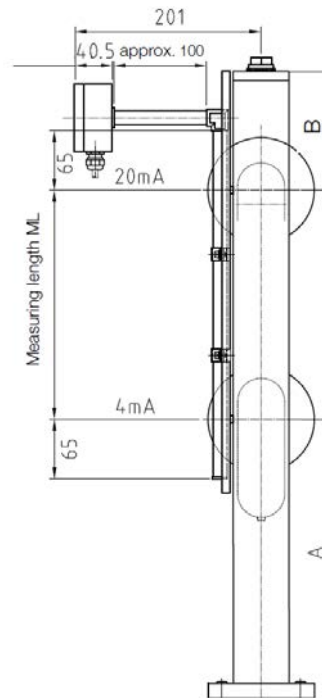
NBK-... with heating jacket option LX



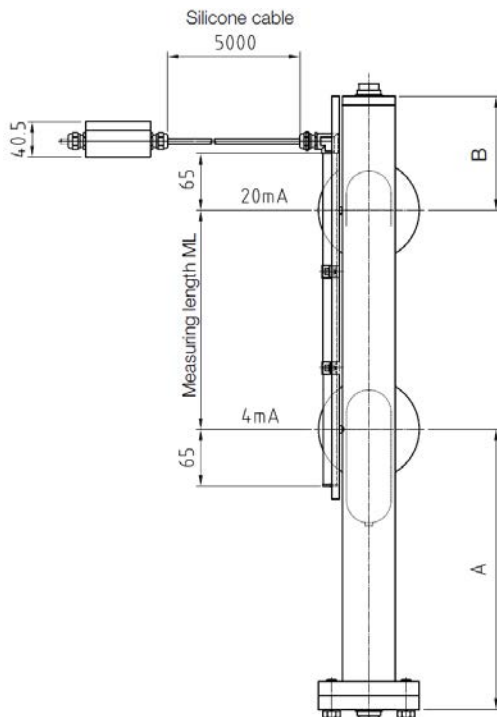
NBK-... with transmitter option MU



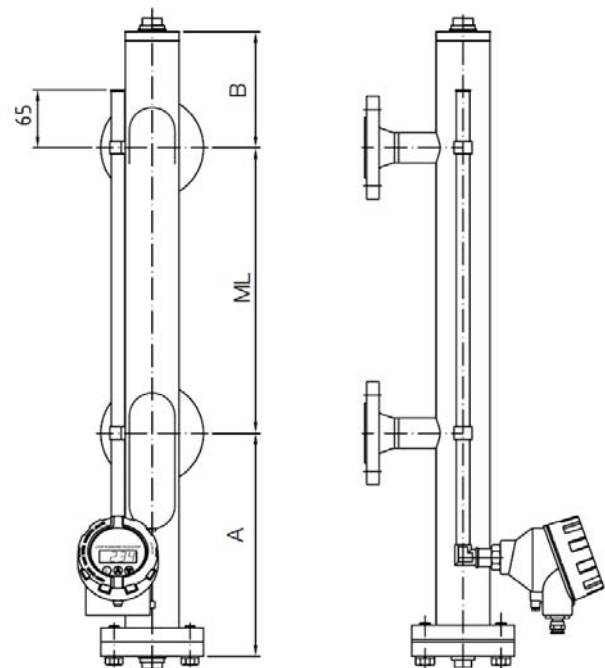
NBK-... with transmitter option MS



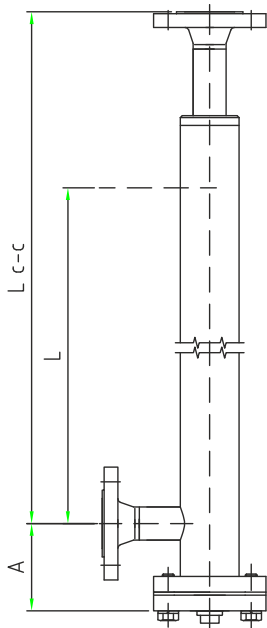
NBK-... with transmitter option MK



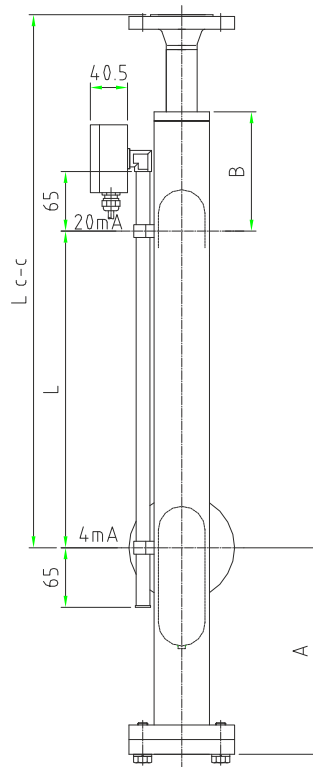
NBK-... with transmitter and display option AE/HE or AC/HC



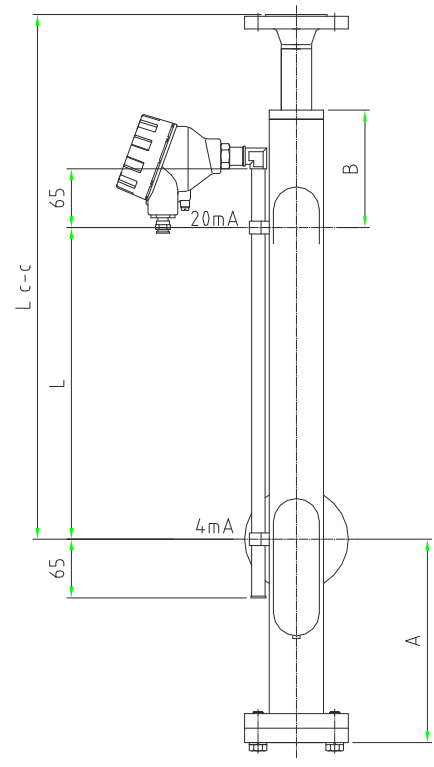
Process connection option ST



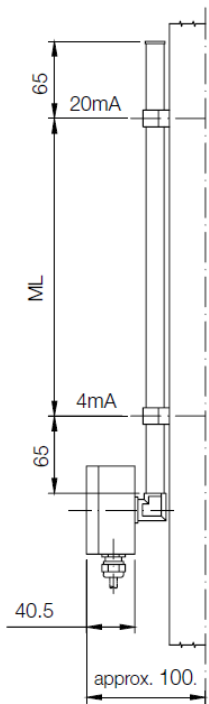
NBK-... with transmitter model M option ST



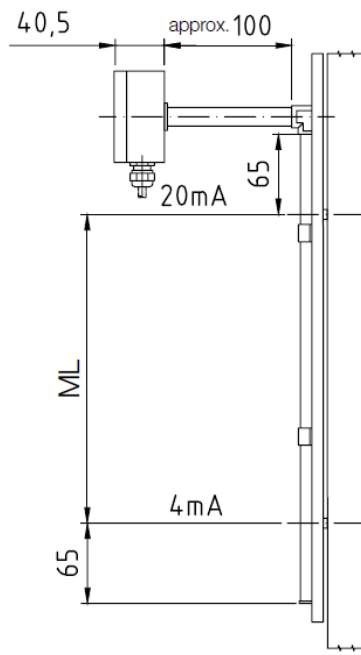
NBK-... with transmitter model H/F option ST



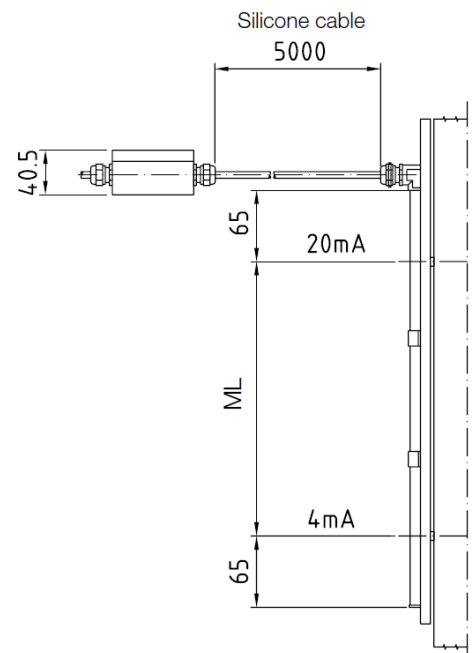
NBK-... with transmitter options MU and ST



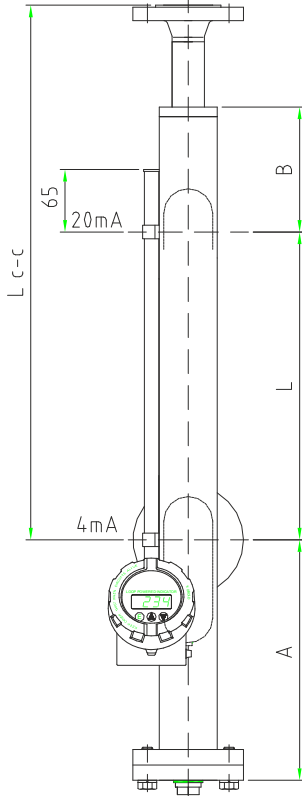
NBK-... with transmitter options MS and ST



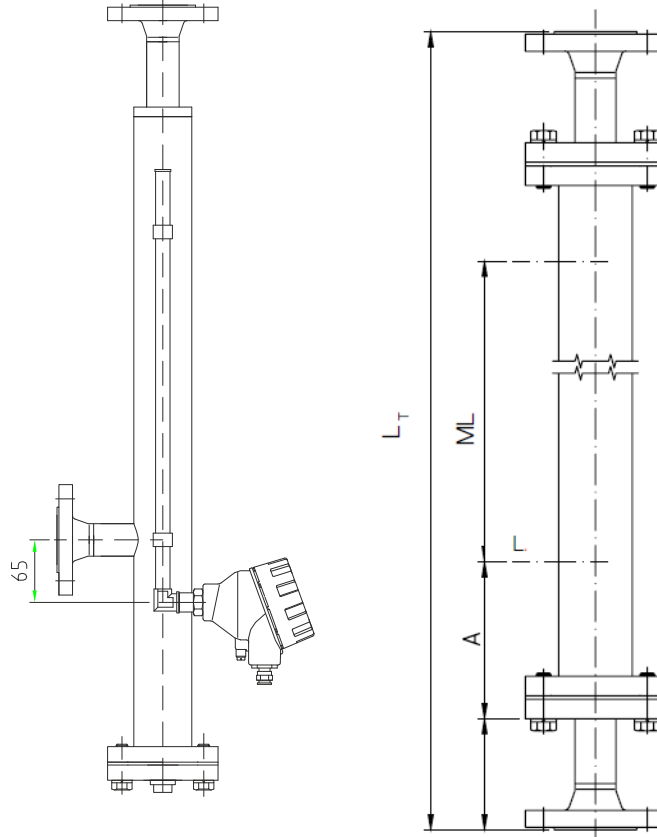
NBK-... with transmitter options MK and ST



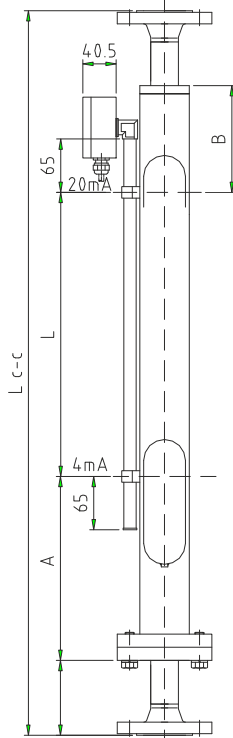
NBK-... with transmitter display options AE/HE or AC/HC and option ST



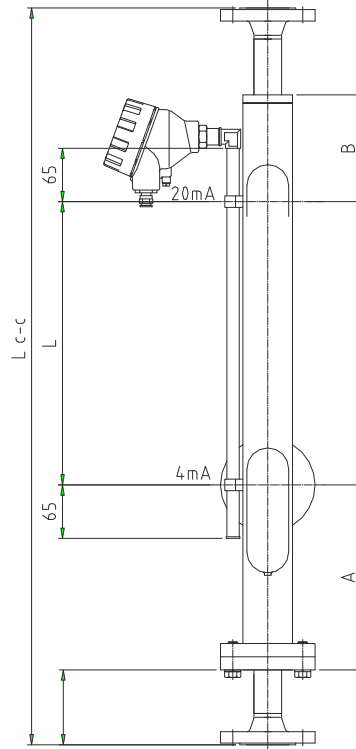
Process connection option TT



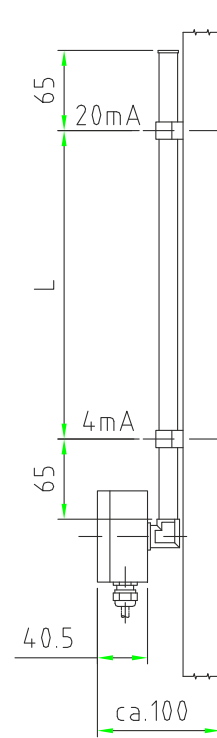
NBK-... with transmitter model M option TT



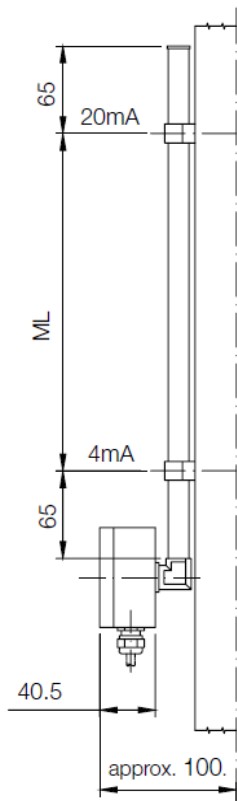
NBK-... with transmitter model H/F option TT



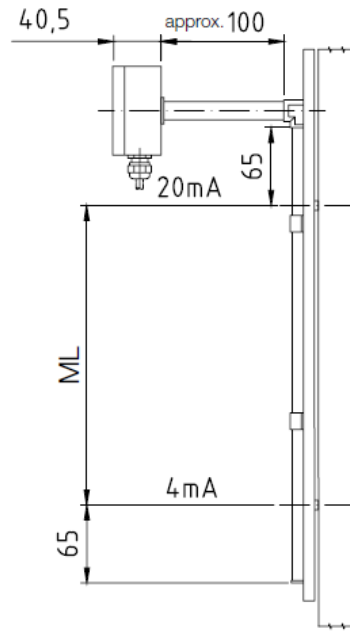
NBK-... with transmitter options MU and TT



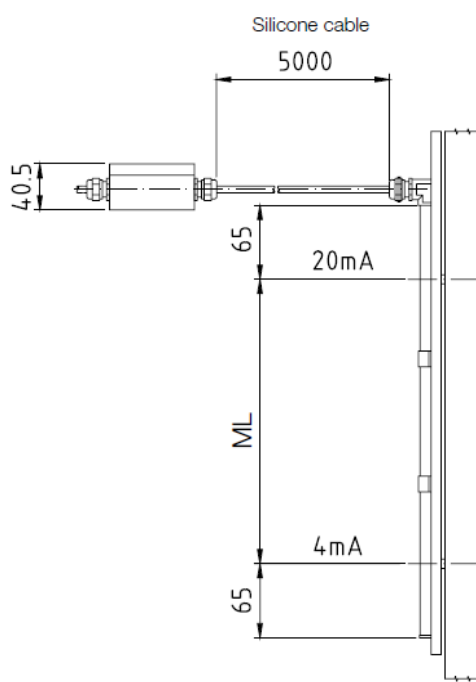
NBK-... with transmitter options MU and TT



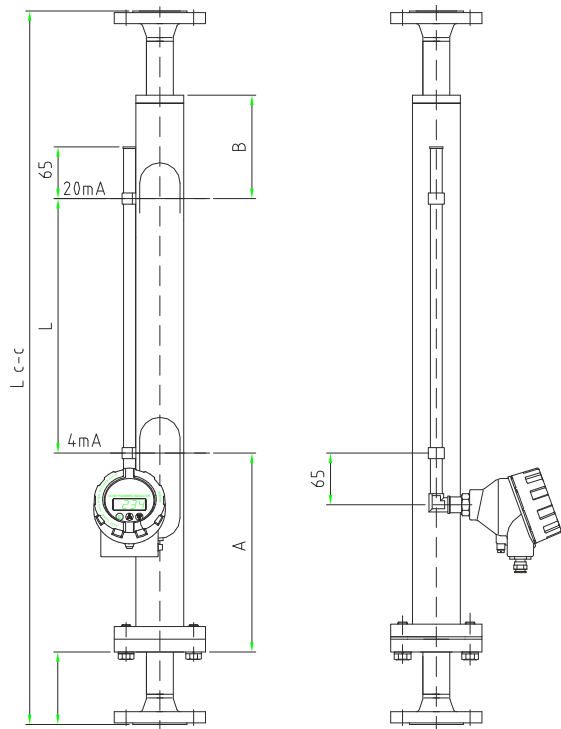
NBK-...with transmitter options MS and TT



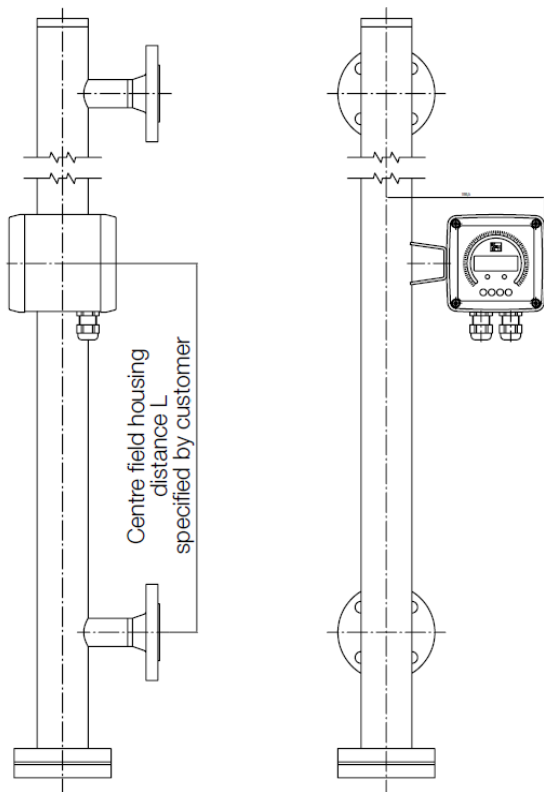
NBK-...with transmitter options MK and TT



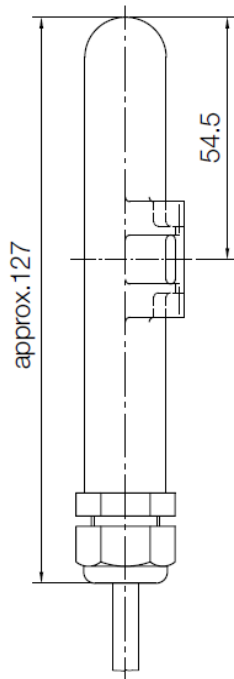
NBK-...with transmitter display options AE/HE or AC/HC and option TT



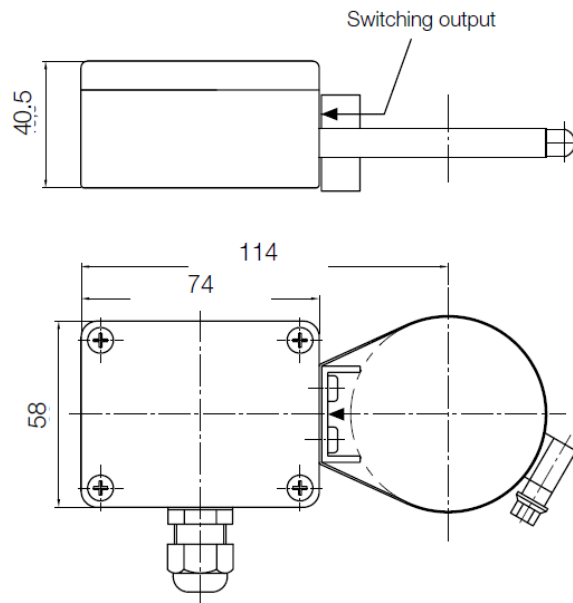
NBK-...with indicating unit ADI-1, option C



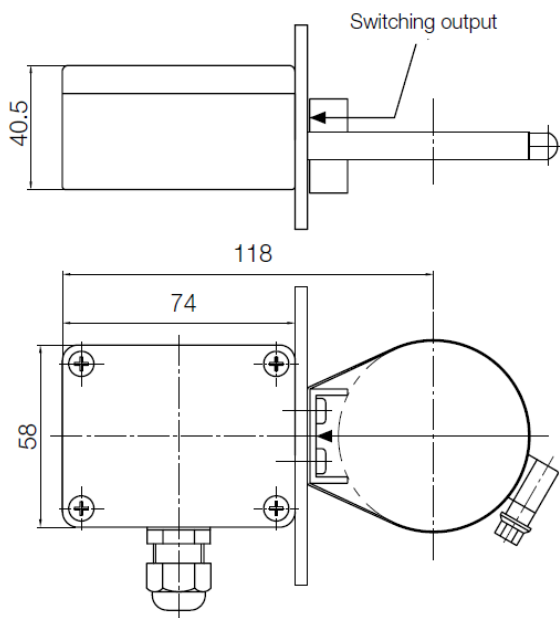
NBK-R



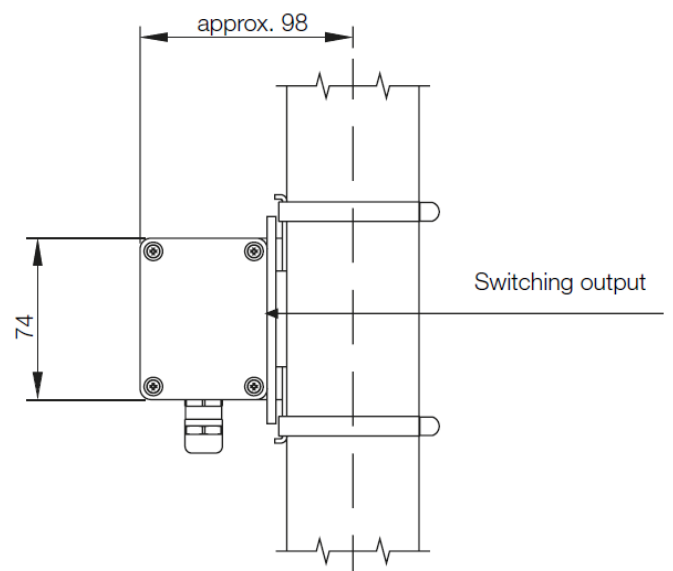
NBK-RT200



NBK-RT400



NBK-RV/RN



14. EC Declaration of Conformance

We, KOBOLD Messring GmbH, Hofheim-Ts, Germany, declare that the limit contacts for bypass level indicator fulfil the following standards:

Model	Pressure stage	Category as per PED	EC type examination test
NBK-03	PN 16	III	43 629-02 HH
NBK-06	PN 40	III	43 630-02 HH
NBK-07	PN 63	III	43 626-02 HH
NBK-10	PN 100	IV	43 627-02 HH
NBK-31	PN 160	IV	PED-B-171
NBK-32	PN 250	IV	PED-B-171
NBK-33	PN 320	IV	PED-B-171

The limit contact for bypass level indicators **NBK-R**, **NBK-RT** are in conformity with the standards noted below:

EN 61010-1:2020 Safety requirements for electrical equipment for measurement, control and laboratory use - Part 1: General requirements

EN 60529:2014 Degrees of protection provided by enclosures (IP-Code)

EN IEC 63000:2018 Technical documentation for the assessment of electrical and electronic products with respect to the restriction of hazardous substances

The **bypass level indicator with remote sensor**

model **NBK-...M...**
model **NBK-...T...**
model **NBK-...W...**

to which this declaration relates is in conformity with the standards noted below:

EN 61326-1 :2013 Electrical equipment for measurement, control and laboratory use - EMC requirements - Part 1: General requirements

EN 60529:2014 Degrees of protection provided by enclosures (IP Code)

EN IEC 63000:2018 Technical documentation for the assessment of electrical and electronic products with respect to the restriction of hazardous substances

Also, the following EC guidelines are fulfilled:

2014/35/EU
2014/30/EU
2011/65/EU
2015/863/EU
2014/68/EU

Low Voltage Directive
EMC Directive
RoHS (category 9)
Delegated Directive (RoHS III)
PED

- Category III (IV) Diagram 1, vessel, group 1 dangerous fluids
- Module D, marking CE0575
- Notified body: DNV GL
- Certificate No. PEDD000000R

Hofheim, 18 March 2022



H. Volz
General Manager



M. Wenzel
Proxy Holder