

Description & Features:

- 2" (50mm)
- Weather resistant black ABS plastic case
- Brass wetted parts
- $\pm 3-2-3\%$ accuracy
- ASME B40.100 compliant
- CRN registered
- 5 year warranty

Applications:

- Residential and commercial swimming pools filters/pumps

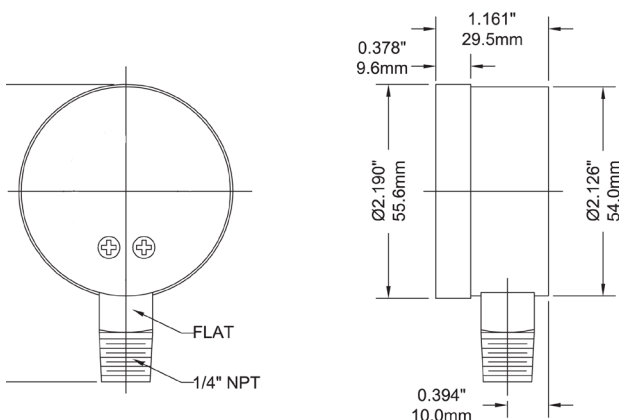
Specifications

Dial	2" (50mm) white aluminum with black markings
Case	Weather resistant black ABS plastic case
Lens	Acrylic
Socket	Brass
Connection	1/4" NPT
Bourdon Tube	Phosphor bronze
Movement	Brass
Pointer	Aluminum, black
Welding	Silver alloy
Over-pressure Limit	25% of full scale value
Working Pressure	Maximum 75% of full scale value
Ambient/Process Temperature	-40°F to 150°F (-40°C to 65°C)
Accuracy	$\pm 3-2-3\%$ ANSI/ASME Grade B
Enclosure Rating	IP52

Order Codes (products in bold are normally in stock)

Pressure Range	1/4" Bottom	1/4" Back
0/60 psi	PEM194	194-B

2" Bottom Connection



2" Back Connection

