



## Applications and Uses

The MIST M03 temperature transducer, with its simple construction, is the base model in our line of MIST Industrial Series Temperature Sensors™. It replaces commonly used temperature sensors in a variety of applications where 4-20mA is required.

USA Patent No.: 7,223,014  
CDN Patent No.: 2,561,570

## Stock Items

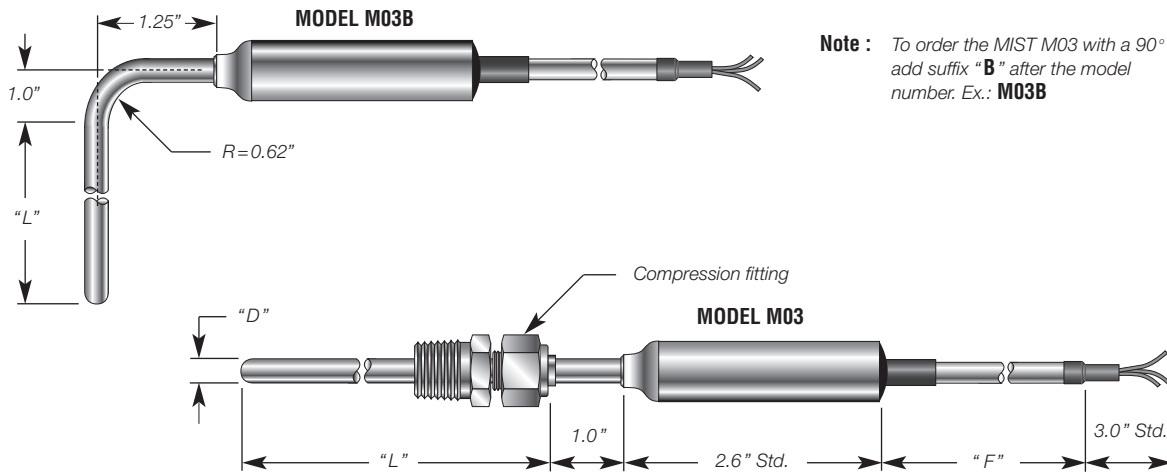
Intempco stocks the most commonly used MIST M03 assemblies with the following features:

- *Factory calibrated 4-20 mA output to a customer specified temperature range*
- *Operating temperature range of -50 to 200°C (-58 to 392 °F)*
- *Order MIST PKIT programming kit to re-program and re-calibrate in-house*
- *1/4" probe diameter, stainless steel 316*
- *Adjustable compression fitting not included, order separately*
- *Cable supplied is a PVC jacketed 22AWG stranded 4-conductor, copper tin plated, 10ft (3m) long*
- *Probe lengths available are 6", 9" and 12"*

To order a MIST M03 with 9" probe and 4-20mA output calibrated to -25°C to 125°C, specify the inventory number and temperature range, ex.: M03L-N-090(-25/125°C) on your order. To calibrate the MIST M03 in house, order the Intempco MIST PKIT which includes the module and software.

## Ordering Information (Order using Intempco inventory number)

Catalog Number	Inventory Number	Probe Length "L"
M03-L-LP-4S-060-N-PV-120	M03L-N-060	6.0"
M03-L-LP-4S-090-N-PV-120	M03L-N-090	9.0"
M03-L-LP-4S-120-N-PV-120	M03L-N-120	12.0"



**Note :** To order the MIST M03 with a 90° bend, add suffix "B" after the model number. Ex.: **M03B**

USA Patent No.: 7,223,014  
CDN Patent No.: 2,561,570

## Custom Builder

MODEL      1      2      3      4      5      6      7

**M03** -  -  -  -  -  -  -

BOX1 CODE	Calibrated Temperature Range
05	0°C to 50°C (32 / 122°F)
10	0°C to 100°C (32 / 212°F)
15	0°C to 150°C (32 / 302°F)
20	0°C to 200°C (32 / 392°F)
55	-50°C to 50°C (-58 / 122°F)
51	-50°C to 150°C (-58 / 302°F)
52	-50°C to 200°C (-58 / 392°F)
L*	-50°C to 200°C (-58 / 392°F)

\* Code **L** is not factory calibrated. Requires customer calibration using the **MIST PKIT**.

**Notes:**

- MIST Temperature Sensors™ are factory calibrated at one point to an accuracy of ±0.12°@0°C or better. See MIST specs.
- For non-standard temperature ranges, indicate desired value in °C or °F in Box1 or see web site [www.intempco.com](http://www.intempco.com).
- Order **MIST PKIT** for sensor customization.

BOX3 CODE	Probe Dia. "D" & Material
2S	1/8", stainless steel 316
3S	3/16", stainless steel 316
4S	1/4", stainless steel 316
6S	3/8", stainless steel 316
8S	1/2", stainless steel 316

BOX4 CODE	Probe Length "L"
---	In 0.1" increments Ex.: 012 = 1.2" long

BOX5 CODE	Adjustable Fitting Type
N	None
D	1/4" NPT (max. probe .312" dia.)
F	3/8" NPT (max. probe .375" dia.)
H	1/2" NPT
L	3/4" NPT

Fitting and ferrule material is stainless steel 316

BOX6 CODE	Extension Cable Type
PV	PVC insulation, 90°C (195°F) max.
TF	Teflon® insulation, 200°C (392°F) max.
TA	Teflon® with SS armor, 200°C (392°F) max.
TB	Teflon® with SS overbraid, 200°C (392°F) max.

BOX7 CODE	Extension Cable Length "F"
---	In inches Ex.: 060 = 60" long

**Note :** Leads "F" length 12" and less are single conductor Teflon® insulation, 22 AWG

BOX2 CODE	Output
LP	4-20mA loop, upscale burnout (std.)
LD	4-20mA loop, downscale burnout
VA	0-5 Vdc, 3-wire
VB	1-5 Vdc, 3-wire
VD	0-10 Vdc, 3-wire

Other outputs available. Consult factory.