

Product Features

- *Miniature design, ideal for OEM applications*
- *NPT fittings standard, others available*
- *Probe lengths to 36"*
- *High Resolution, 1/4"*
- *All stainless steel wetted parts*
- *M12 Micro-male plug or extension cable available*
- *Continuous level measurement*
- *Analog output via remotely mounted DIN Rail transmitter*
- *Undisturbed by foaming*
- *Vapor insensitive*
- *Liquid interface detection*

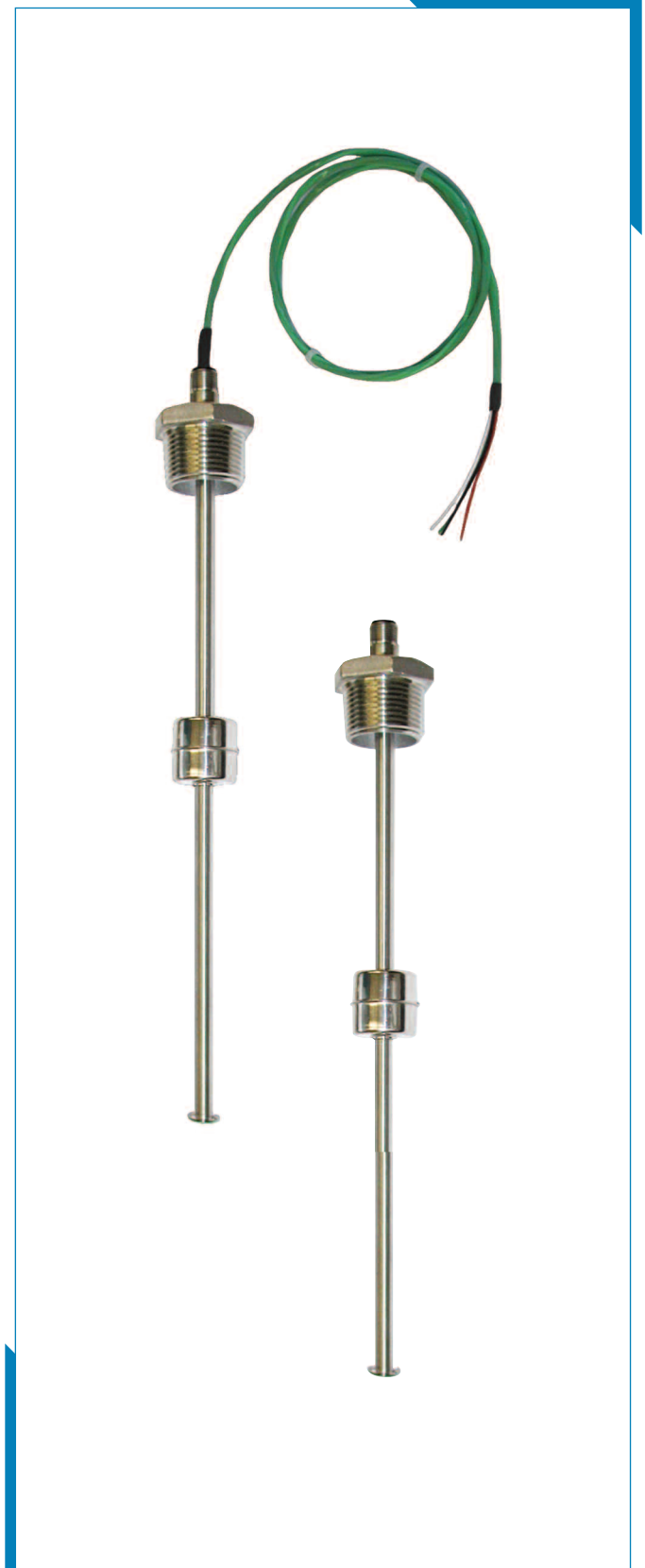
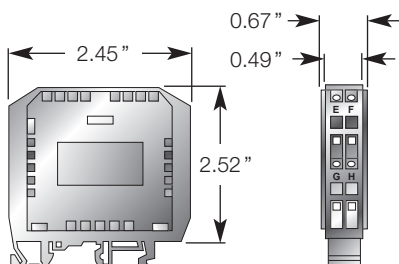
Description

The LFT50 is a miniature float level transducer suitable for level measurement in vessels of up to 36 inches in height. Of high quality construction, all wetted parts are stainless 316; other materials are available upon request. The use of 1" or 1-1/4" NPT fitting accommodates the diameter of the float and allows the units to be installed from the top of the vessel without removal of the float. For fittings 1/4", 1/2" and 3/4" NPT, the float has to be removed. Upward mounting fittings are also available.

Each transducer comes standard with a cable or a 5-pin M12 Micro-DC plug. The transmitted level signal is generated via a DIN rail transmitter, mounted remotely. Reliable operation and simple design makes the LFT50 an excellent choice for many level sensing applications.

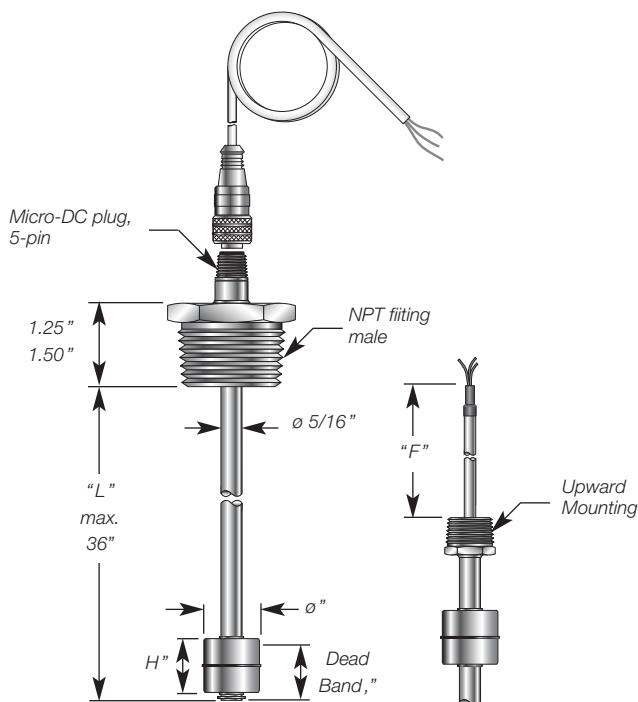
Application / Process Notes

- *Ideal for level measurement where installation space is limited or tanks are compact*
- *Water based liquids*
- *Acids compatible with Stainless 316*
- *Hydraulic and other clean oil applications*
- *Chemical holding tanks with clean liquids*
- *Measurement of liquid levels in mobile equipment*
- *Ideal for many OEM applications*
- *Not recommended where liquids are dirty or sticky*



LFT50

Miniature Float Level Transducer
Continuous Analog Output



Specifications

Maximum Length : 36 inches (914 mm)
Resolution : ± 0.25 inch (6.5 mm)
Dead Band : See float table

Wetted Parts

Stem : Stainless SS316
Float : Stainless SS316
Fitting : Stainless SS316

Fitting Size : 1" or 1-1/4" NPT male
 1/4" or 1/2" NPT male (upward)

Minimum Liquid SG: 0.8 min. recommended

Temperature Range : -20 to 120°C (-4 to 250°F)

Max. Pressure : 200 PSIG @ 20°C (70°F)

Electrical Connection : Micro-DC plug, 4-pin or cable

Protection : NEMA 4X/IP65

DIN Rail Transmitter

Input Voltage : 12-32 VDC max.

Output : 4-20 mA 2-wire

0-5 VDC 3-wire

0-10 VDC 3-wire

0-5000 ohms 3-wire

Sensing Voltage : 5 VDC max.

Sensing Current : 2.5 mA max.

Adjustments : Via potentiometer

Ambient Temperature Range : -20 to 60°C (-4 to 140°F)

Protection : NEMA 1 / IP40

Housing : Polycarbonate, DIN rail

LxWxH : 2.52" x 0.67" x 2.45"
 (64 mm x 17 mm x 62 mm)

Custom Builder

MODEL

1

2

3

4

5

6

7

8

9

LFT50

BOX1 CODE	Output
DA	4-20 mA, loop powered (DIN Rail)
DE	0-5 Vdc, 3-wire (DIN Rail)
DF	0-10 Vdc, 3-wire (DIN Rail)
RA	0-5000 Ohms, 3-wire

Other outputs available. Consult factory.

BOX2 CODE	Extension Cable/Connector Type
MC	M12 Micro-Male Connector
PV	PVC insulation, stranded cond. 90°C (195°F) max.
TF	Teflon® insulation, stranded cond. 200°C (392°F) max.
TA	Teflon® with SS armor, 200°C (392°F) max.
SL	Silicone Insulation, 180°C (356°F) max.
TS	Teflon® with SS overbraid, 200°C (392°F) max.

BOX3 CODE	Extension Cable Length "H" (MC option)
00	None
A2	Straight, PVC, 6 ft, (2 meters)
A5	Straight, PVC, 15 ft, (5 meters)
B2	Right angle, PVC, 6 ft, (2 meters)
B5	Right angle, PVC, 5 meters

BOX3 CODE	Extension Cable Length "F" (Cable option)
---	In inches Ex.: 060 = 60" long

BOX4 CODE	Fitting Type & Size
00	No fitting
GN	1" NPT male
HN	1-1/4" NPT male
CU	1/4" NPT male, upward mounting
EU	1/2" NPT male, upward mounting

Other fittings available. Consult factory.

BOX5 CODE	Fitting Material
SA	Stainless steel 316/316L

BOX6 CODE	Float Style
AA	SS316, ϕ 1.12" x 1.00" H, SG=0.63
AB*	SS316, ϕ 0.90" x 1.57" H, SG=0.75

* Recommended with the use of 1" NPT fitting (GN).

BOX7 CODE	Probe Type
EA	Tube ϕ .312" x .035" wall, SS316L

BOX8 CODE	Probe Length "L"
---	In 0.1" increments (from 6" to 36") Ex.: 165 = 16.5" long

BOX9 CODE	Options
NO	None
SY	Specify