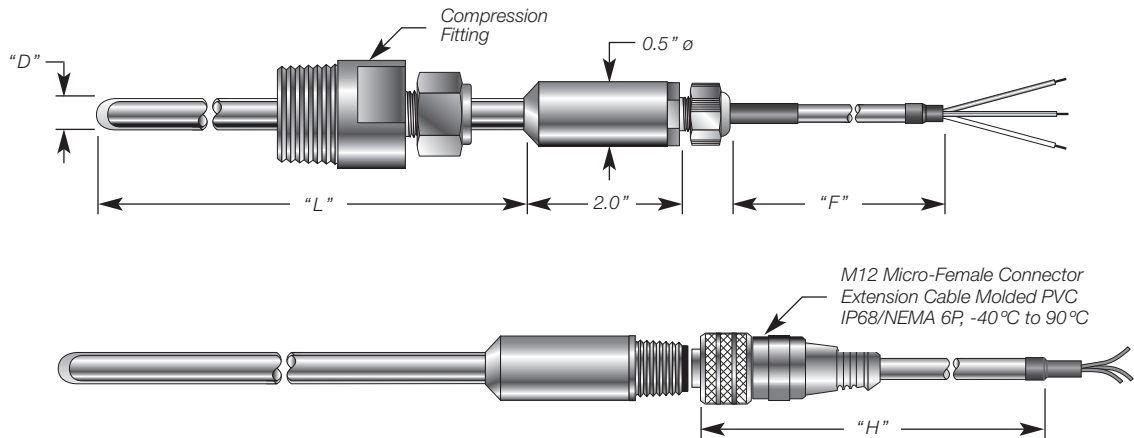


RTD R46

All Teflon Construction
w/Extension Cable or Micro-Connector



Custom Builder

MODEL 1 2 3 4 5 6 7 8 9 10 11

R46 - - - - - - - - - - - -

BOX 1 CODE	Temperature Range
L	Low temperature -50 to 200°C (-58/392°F)

BOX 2 CODE	Element Type
P	100Ω @ 0°C, α = 0.00385 DIN EN 60751
T	1000Ω @ 0°C, α = 0.00385 DIN EN 60751

Other elements available. Consult factory.

BOX 3 CODE	Element Tolerance
1	±0.12% (±0.3°C) @ 0°C, Class B
2	±0.06% (±0.15°C) @ 0°C, Class A
3	±0.04% (±0.1°C) @ 0°C, Class AA

Other tolerances available. Consult factory.

BOX 4 CODE	RTD Circuit Type
S2	Single, 2 wire
S3	Single, 3 wire
S4	Single, 4 wire
D2	Dual, 2 wire
D3	Dual, 3 wire
D4	Dual, 4 wire

Note : 1. Dual RTD's require 0.187 O.D. min.
2. S3 industry standard circuit
3. S4 circuit most accurate

BOX 5 CODE	Probe Diameter "D"
D	1/4" Diameter
E	5/16" Diameter (Std. construction)

BOX 6 CODE	Probe Material
T	PFA Teflon® clad SS316 tube (std.)
F	PTFE Teflon® clad SS316 tube

Other materials available. Consult factory.

BOX 8 CODE	Fitting Type
0	None
T12T	1/2" NPT, adjustable, Teflon
T34T	3/4" NPT, adjustable, Teflon

BOX 9 CODE	Extension Connector/Cable Type
MC	M12 Micro-Male Connector
PV	PVC insulation, 90°C (195°F) max.
SL	Silicone insulation, 180°C (356°F) max.
TF	Teflon® insulation, 200°C (392°F) max.
TA	Teflon® with SS armor, 200°C (392°F) max.
TP	Teflon® with SS armor and polyolefin shrink, 90°C (195°F) max.
TT	Teflon® with SS armor and Teflon® shrink, 200°C (392°F) max.

BOX 10 CODE	Extension Cable Length "H" (MC option)
N	None
A2	Straight, 2 meters
A5	Straight, 5 meters
B2	Right angle, 2 meters
B5	Right angle, 5 meters
BOX 10 CODE	Extension Cable Length "F" (Cable option)
---	In inches Ex.: 060 = 60" long
Note : Extension wires 12" long and less are single stranded leads, 22 AWG	

BOX 11 CODE	Probe Length "L"
---	In 0.1" increments Ex.: 065 = 6.5" long