

Operating Instructions
for
SMART PRESSURE TRANSMITTER
Model: PAS



1. Contents

1. Contents.....	2
2. Introduction	4
3. Using This Manual	5
3.1 Overview of Transmitter.....	6
3.2 Software Compatibility	6
3.3 Transmitter Components	7
4. Handling Cautions.....	8
4.1 Unpacking.....	9
4.2 Models and Specifications Check	9
4.3 Storage	9
4.4 Selecting Installation Locations.....	10
4.5 Performing Sensor Zero Trim after Installation	10
4.6 Pressure Connections.....	11
4.7 Waterproofing of Cable Conduit Connections.....	11
4.8 Restrictions on Use of Radio Transceivers	11
4.9 Insulation Resistance Test and Dielectric Strength Test.....	12
4.10 Installation of Explosion Protected Type Transmitters	13
4.11 Notes on the machine and pressure equipment directive	18
5. Transmitter Functions	18
5.1 Overview.....	18
5.2 Safety Message	18
5.3 Warning	19
5.4 Fail Mode Alarm.....	19
5.5 EEPROM-Write Enable / Disable Mode Switch	21
5.6 Configuration of Alarm and Security Jumper Procedures	22
5.7 Configuration of Zero and Span Procedures with Buttons	22
5.8 Wiring Connections for External HHT/ Ammeter.....	31
6. Installation	32
6.1 Overview.....	32
6.2 Safety Message	32
6.3 Warning	32
6.4 Commissioning on the bench with Hand-Held Terminal	33
6.5 General Considerations	34
6.6 Electrical Considerations	34
6.7 Wiring.....	35
6.8 Mechanical Considerations.....	42
6.9 Environmental Considerations	43
7. On-line Operation.....	44
7.1 Overview.....	44
7.2 Safety Message	44
7.3 Configuration Data Review	44
7.4 Check Output.....	44
7.5 Basic Setup.....	45
7.6 Detailed Setup	45
7.7 Tag Information set up.....	46
7.8 Diagnostics and Services.....	47

7.9 Calibration 47
7.10 Advance Set Up:..... 48
8. Maintenance 49
 8.1 Overview..... 49
 8.2 Safety Message 49
 8.3 Hardware Diagnostics..... 50
 8.4 Hardware Maintenance..... 51
9. Appendix I 54
10. EU Declaration of Conformance 56
11. EU Type Examination Ex d 58
12. EU Type Examination Ex ia 60

Manufactured and sold by:

KOBOLD Instruments Inc.
1801 Parkway View Drive
Pittsburgh PA 15205-1422
Tel.: 412-788-2830
Fax: 412-788-4890
E-Mail: info@koboldusa.com
Internet: www.koboldusa.com

Version: 01/0918

2. Introduction

The PAS Smart Pressure Transmitter is correctly calibrated at the factory before shipment. To ensure correct and efficient use of the instrument, please read this manual thoroughly and fully understand how to operate the instrument before operating it

1. The contents of this manual are subject to change without prior notice.
2. All rights reserved. No part of this manual may be reproduced in any form without KOBOLD Messring GmbH's written permission.
3. If any question arises or errors are found, or if any information is missing from this manual, please inform the nearest KOBOLD sales office.
4. The specifications covered by this manual are limited to those for the standard type under the specified model number break-down and do not cover custom-made instrument.
5. Please note that changes in the specifications, construction, or component parts of the instrument may not immediately be reflected in this manual at the time of change, provided that postponement of revisions will not cause difficulty to the user from a functional or performance standpoint.

3. Using This Manual

The Chapters in this operating manual provide information on installing, operating, and maintaining devices from KOBOLD Model PAS Smart Pressure Transmitter. Chapters within this manual are organised as follows.

Chapter 4 Handling Cautions

Chapter 4 provides instructions on software functions, configuration parameters, and online variables.

Chapter 5 Transmitter Functions

Chapter 5 contains instructions for configuring and commissioning Model PAS Smart Pressure Transmitters.

Chapter 6 Installation

Chapter 6 contains mechanical, environment and electrical installation instructions for Model PAS Smart Pressure Transmitters.

Chapter 7 On-line Operation

Chapter 7 describes the configuration process and how to use basic and advanced Model PAS Smart Pressure Transmitter software functions during configuration. Included in these sections are details on using:-

- (1) Sensor or Output Trim
- (2) Changing range configuration, Output Type, Damping, measurement units etc.
- (3) Change of general data such as Tag No. Date, Message etc.

Chapter 8 Maintenance

Chapter 8 contains hardware diagnostics, troubleshooting and maintenance tasks.

Appendix I : List of Error Codes available on LCD display

3.1 Overview of Transmitter

Kobold Smart Pressure Transmitters are microprocessor based “smart” pressure transmitters. It uses a piezoelectric/ capacitance pickup optimised & accurately characterised with a patented temperature compensation algorithm for high precision & long term stable gauge and absolute pressure measurements over a wide range of operating conditions. PAS is a two wire loop power transmitter and has a standard 4/20mA output scaled for desired output pressure range. In addition it also offers digital HART® (digital signal superimposed over the analogue output) communication that allows transmitting additional digital parameters/diagnostic information for advanced control systems like DCS, PLC. This transmitter can be configured remotely via HART® communication through a HHT (HART® Hand-Held Terminal using DDL or DOF technology) or any HART® enabled PC configurator. This allows critical variables to be changed, configured and tested remotely by users. Note: For HART® Communication a minimum 250~500 Ohm loop resistance is mandatory between power supply and transmitter.

3.2 Software Compatibility

KOBOLD Smart Pressure Transmitters are shipped from the factory with the most up to date firmware. However as product developments and new features are released a firmware update becomes necessary to incorporate these new changes. As such transmitters with older firmware may restrict certain functions when communicating with an external HHT(Model 275/375HART® Communicator). There may also be some differences on supported functions on the local push button menu based on the installed firmware revision of the transmitter. This manual is based on firmware Revision 6.3. Function deviations as to firmware Revision are same as in table below:

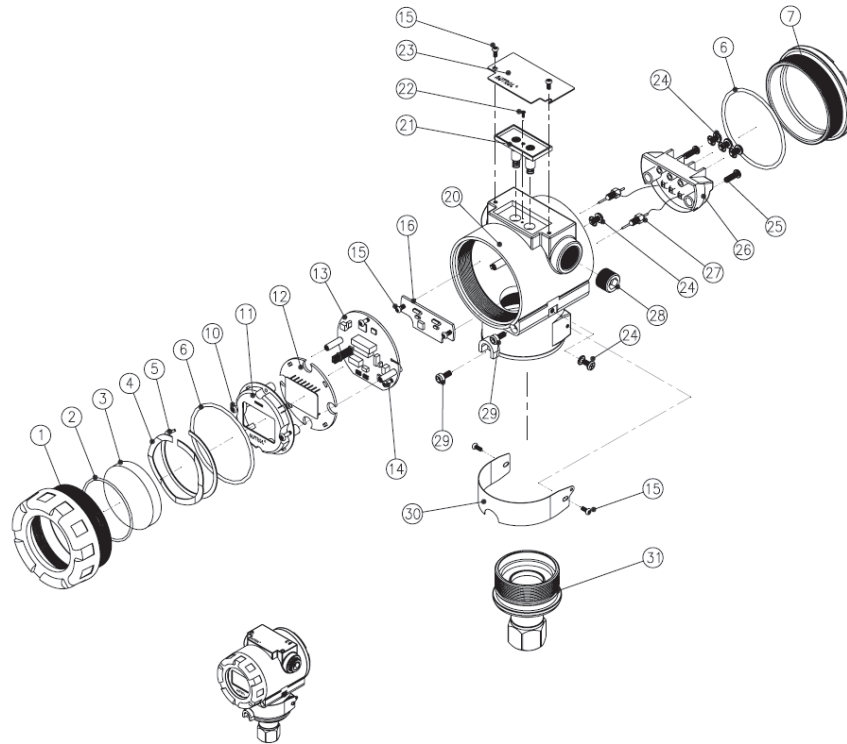
FUNCTION	Function Supports		
	ZERO / SPAN Button Version 6.3 or above	PC/UMPC	HART 275/375
ZERO/SPAN	●	●	●
ZERO TRIM	●	●	●
ZERO Adj	●	●	●
Units set	●	●	●
Range set	●	●	●
Damping set	●	●	●
LCD Decimal set	●	●	△
LCD Mode	●	●	△

● : Supported.

△ : Supported but update required

3.3 Transmitter Components

The various components of PAS Series Smart Pressure Transmitter are shown below:



P.N	PART NAME	P.N	PART NAME
1	FRONT COVER	20	HOUSING
2	O-RING/GLASS	21	ZERO/SPAN ADJUSTMENT SWITCH
3	GLASS	22	SCREW/ SWITCH COVER
4	WAVE WASHER	23	NAMEPLATE
5	C-SNAP RING	24	SCREW
6	O-RING/COVER	25	SCREW/TERMINAL BLOCK
7	REAR COVER	26	TERMINAL BLOCK
10	SCREW/LCD	27	EMI FILTER
11	LCD COVER	28	PIPE PLUG
12	LCD BOARD	29	SCREW
13	MAIN BOARD	30	TAGPLATE
14	SCREW/MAIN BOARD	31	SENSOR MODULE
15	SCREW		
16	TERMINAL BOARD		

[Figure 3-1 Transmitter Exposed View and Components]

4. Handling Cautions

This chapter consists of cautions for transmitter handling and storage, selection of installation locations, insulation and explosion structure, etc.

[Quick Reference Manual]

Step	Job	Job Details	Instrument
1	Unpacking	- Unpack transmitter packing	
2	Model and Specifications Check	- Make sure whether the delivered transmitter is same as options attached on its nameplate	Nameplate
3	Storage	- Places not exposed to water, non-vibration and non-impact area - Ambient temperature 25 deg C and relative humidity 65 % RH	
4	Calibration Bench	- Configuration of Range, Zero/Span, Unit, Tag, Damping Time, Transfer Function, DA Trim and other parameters	- HHT - Pressure Source - Galvanometer
5	Installation Locations	- Where ambient temperature is not fluctuated - Where corrosion happens by chemical materials, etc. - Where vibration and impact is not severe - Where non-explosion area is matched on explosionproof regulations - Where maintenance is very easy	(Engineering)
6	Mechanical Considerations	- Where transmitter can be handled easily - Be cautious of pressure leaks.	(Engineering)
7	Electrical Considerations	- Connect 24 V _{DC} (Power Supply is 11.9 V _{DC} – 45 V _{DC}) - For HART communication, total resistance on transmitter terminal loop should be 250 – 550 Ohm.	(Engineering)
8	Mounting and Installation	- For mounting transmitter, an appropriate bracket should be used. - Transmitter should be fixed firmly to its bracket.	(Mounting and Installation)
9	Calibration on Spot	- Sensor Zero Trim is highly recommended during first installation and start-up. During a Zero trim the zero baseline of transmitter is established. - Before initiating zero trim make sure that PV value of transmitter is zero and current output is at 4 mA.	HHT or Zero/Span button
10	Pressure	- Do not apply differential and/or full line pressure suddenly. - Close equalizing valve of 3/5 valve manifold, then, open stop valve on high and low side slowly and simultaneously..	(Applying pressure)
11	Operation	- Make sure that transmitter operates within specs.	Visual or HHT

4.1 Unpacking

When moving the transmitter to the installation site transfer it in its original packaging. Only unpack the transmitter on site of installation to avoid damage during transit.

4.2 Models and Specifications Check

The model name and specifications are indicated on the top name plate fixed to the transmitters. Please check your specification and model supplied for your installation.

4.3 Storage

The following precautions must be observed when storing the instrument, especially for a long period.

- (1) Select a storage area that meets the following conditions:
 - a) It is not directly exposed to rain, water, snow or sun light.
 - b) It is exposed to minimum vibration and shock.
 - c) If possible, it is advisable to store at normal temperature and humidity (approx. 25°C, 65% RH).

However, it can also be stored under ambient temperature and relative humidity within the following published ranges.

- Ambient Temperature: -40 ~ 80 °C (with LCD module)*

* General use only. For explosion proof versions follow product certification requirements

- Relative Humidity: 5 % ~ 98 % RH (at 40 °C)

- (2) When storing the transmitter, repack with original (or similar) packaging that was shipped from the factory.
- (3) If storing a transmitter that has already been used, thoroughly clean all wetted parts including diaphragm seals (if installed), process connections/manifolds in contact with process fluid. In addition, make sure before storing the transmitter that remote seal (if supplied) assemblies are securely mounted.

4.4 Selecting Installation Locations

The transmitter is designed to withstand severe environmental conditions. However, to ensure stable and accurate operation for many years, the following precautions must be observed when selecting an installation location.

- (1) Ambient Temperature
Avoid locations subject to wide temperature variations or a significant temperature gradient. If the location is exposed to radiant heat from plant equipment, provide adequate insulation or ventilation.
- (2) Ambient Atmosphere
Avoid installing the transmitter in a corrosive atmosphere. If the transmitter must be installed in a corrosive atmosphere, there must be adequate ventilation as well as measures to prevent intrusion or stagnation of rainwater in conduits. Moreover, there should be appropriate ventilation preventing corrosion by rain gathered on conduit.
- (3) Shock and Vibration
Select an installation site suffering minimum shock and vibration (although the transmitter is designed to be relatively resistant to shock and vibration)
- (4) Accessibility
Select location that provides easy access for maintenance & calibration.
- (5) Installation of Explosion Protected Transmitters.
Explosion – protected transmitters can be installed in hazardous areas according to gas types for which they are certified.

4.5 Performing Sensor Zero Trim after Installation

- (1) Sensor Zero Trim should be done immediately after transmitter is installed because zero point can shift due to mounting status of the sensor pick up.
- (2) For Sensor Zero Trim, make input pressure of transmitter zero prior to initiating zero trim calibration. Any Sensor Trim done in field must be carried out after installation is finalized and with transmitter position fixed. Also if applying external pressure ensure the display is sufficiently stabilized (after approximately 10 to 15 seconds) before initiating any Trim function.
- (3) There are two recommendations for making input pressure “zero”. One is to apply a “zero” pressure source (mandatory for absolute pressure models). The second option is to open equalizing valve of manifolds and venting to atmospheric pressure (allowed only for Gauge type models).
- (4) Sensor Zero Trim can be performed using an external HHC (Hand held calibrator), PC or PDA configurator, and/ or using Zero/ Span local push buttons provided on the transmitter.
- (5) When using local push buttons please refer to Chapter 4.7 of this manuals for detailed instructions. If using an external HHT or HART® PC configurator please refer to the user manuals supplied by the third party supplier.

4.6 Pressure Connections

Warning
<ul style="list-style-type: none">❖ Instrument installed in the process is under pressure. Never loosen or tighten the flange bolts as it may cause dangerous spouting of process fluid.❖ If the accumulated process fluid may be toxic or otherwise harmful, take appropriate care to avoid contact with the body or inhalation of vapors even after dismounting the instrument from process line for maintenance.

The following precautions must be observed in order to safely operate the transmitter under pressure.

- (1) Never apply a pressure higher than the maximum working pressure specified on the nameplate.
- (2) Use adequate seals for leak tight process connections and use only quality and standardized parts.
- (3) Regularly inspect for signs of leakage and apply corrective actions when necessary.

4.7 Waterproofing of Cable Conduit Connections

Apply a non-hardening sealant (silicone or tape, etc.) to the threads to waterproof the transmitter cable conduit connections.

4.8 Restrictions on Use of Radio Transceivers

Warning
<ul style="list-style-type: none">❖ Although the transmitter has been designed to resist high frequency electrical noise, if a radio transceiver is used near the transmitter or its external wiring, the transmitter may be affected by high frequency noise pickup. To test for such effects, bring the transceiver in use slowly from a distance of several meters from the transmitter, and observe the measurement loop for noise effects. Thereafter, always use the transceiver outside the area affected by noise.

4.9 Insulation Resistance Test and Dielectric Strength Test

Since the transmitter has undergone insulation resistance and dielectric strength tests at the factory before shipment, normally these tests are not required. However, if required, observe the following precautions in the test procedures.

- (1) Do not perform such tests more frequently than is absolutely necessary. Even test voltages that do not cause visible damage to the insulation may degrade the insulation and reduce safety margins.
- (2) Never apply a voltage exceeding 500 V_{DC} (100 V_{DC} with an internal lightning protector) for the insulation resistance test, nor a voltage exceeding 500V_{AC} (100V AC with an internal lighting protector) for the dielectric strength test.
- (3) Before conducting these tests, disconnect all signal lines from the transmitter terminals. Perform the tests in the following procedure.
- (4) Insulation Resistance test
 - a) Short-circuit the + and - SUPPLY terminals in the terminal box.
 - b) Turn OFF the insulation tester. Then connect the insulation tester plus (+) lead wire to the shorted SUPPLY terminals and the minus (-) lead wire to the grounding terminal.
 - c) Turn ON the insulation tester power and measure the insulation resistance. The voltage should be applied short as possible to verify that insulation resistance is at least 20 MΩ.
 - d) After completing the test and being very careful not to touch exposed conductors disconnect the insulation tester and connect a 100kW resistor between the grounding terminal and the short-circuiting SUPPLY terminals. Leave this resistor connected at least three second to discharge any static potential. Do not touch the terminal while it is discharging.
- (5) Dielectric Strength Test
 - a) Short-circuit the + and - SUPPLY terminals in the terminal box.
 - b) Turn OFF the dielectric strength tester. Then connect the tester between the shorted SUPPLY terminal and the grounding terminal. Be sure to connect the grounding lead of the dielectric strength tester to the ground terminal.
 - c) Set the current limit on the dielectric strength tester to 10mA, then turn ON the power and gradually increase the tester voltage from '0' to the specified voltage.
 - d) When the specified voltage is reached, hold it for one minute.
 - e) After completing this test, slowly decrease the voltage to avoid any voltage surges.

4.10 Installation of Explosion Protected Type Transmitters

4.10.1 ATEX Approval Explosion Proof

ATEX Certification number: **KEMA 10ATEX0141 X** Issue Number: 2
CE 0158  II 2 G

Note 1. Model PAS for potentially explosive atmosphere

- Ex d IIC T6...T4 Gb
- Operating Temperature : $-20^{\circ}\text{C} \leq T_{\text{amb}} \leq +60^{\circ}\text{C}$
- T6 for process $\leq 85^{\circ}\text{C}$;
- T5 for process $\leq 100^{\circ}\text{C}$;
- T4 for process $\leq 130^{\circ}\text{C}$;


Note 2. Electrical Data

- Supply Voltage : 11.9...42 V_{DC}
- Output Signal : 4 to 20 mA + HART

Note 3. Electrical Connection: see ordering table

Note 4. PAS ATEX Certification is according to the below standards
EN 60079-0:2012 + A11
EN 60079-1:2007

Note 5. Installation

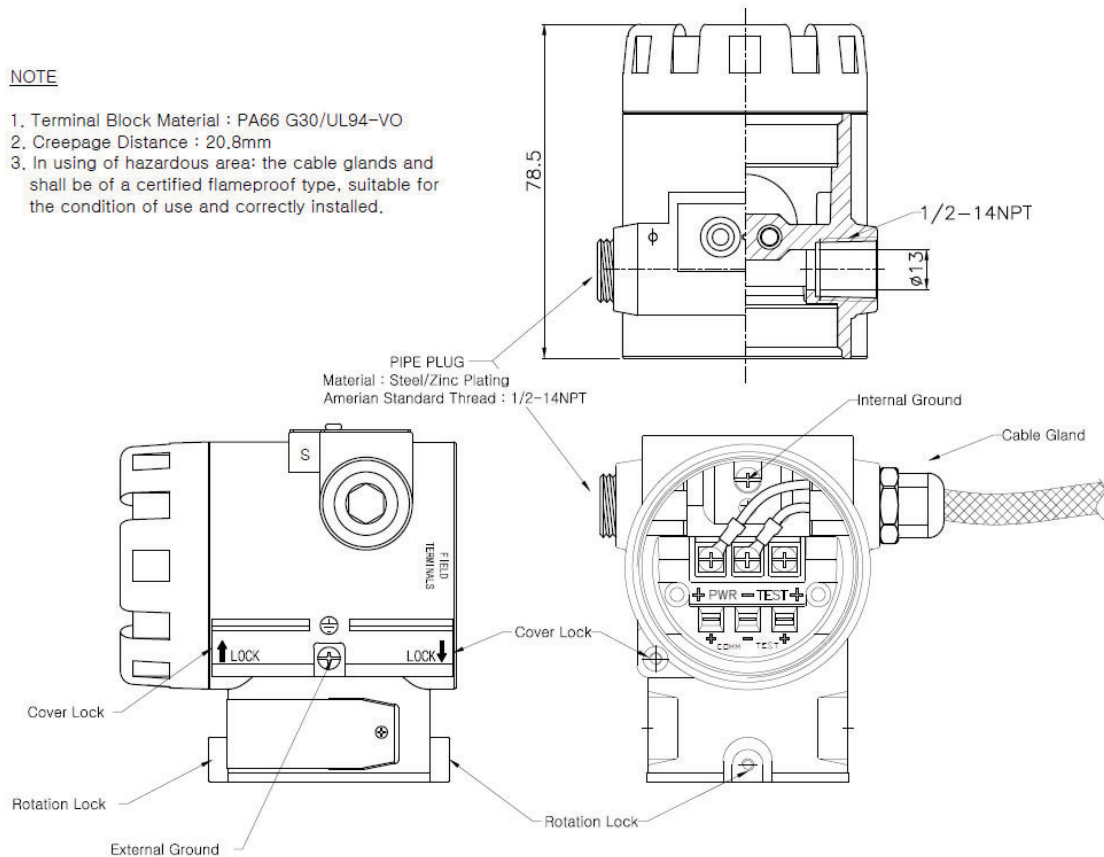
- All wiring shall comply with local installation requirement.
- The cable glands and blanking elements shall be of a certified flameproof type, suitable for the condition of use and correctly installed. Also those devices should be endured at the 130 °C.
- Housing Ground must be followed to “local electrical codes”. The most efficient ground procedure is to connect directly to the earth as least impedance.
- How to Ground the Housing:
 - * Internal Ground Connection: Open rear cover on transmitter, there is a bolt for ground with a grounding mark 
 - * External Ground Assembly: On the left side of transmitter, there is a bolt for ground with a grounding mark (for grounding use a cable lug)
 - * Housing rotation hexa screw bolt shall be screwed tightly in order to hold the position of transmitter
- When use tubing, stopping boxes must be connected with the wall of housing directly.
- Tubing is installed a minimum of 5 threads.
- Sensor is to be threaded a minimum of 7 threads and prevented from turning by tightening the housing rotation set screw.
- Do not disassemble flameproof Joints but in an unavoidable case to disassemble it or need the specification of flameproof Joints, contact the manufacturer before doing.

▲ Warning

Ensure the correct wiring of power cable. Do not connect the power cable on Test +/- connection, as this may result in transmitter defect or mal-function.

NOTE

1. Terminal Block Material : PA66 G30/UL94-VO
2. Creepage Distance : 20.8mm
3. In using of hazardous area: the cable glands and shall be of a certified flameproof type, suitable for the condition of use and correctly installed.



Electric Connection

Note 6. Operation

- **WARNING-DO NOT OPEN WHEN AN EXPLOSIVE ATMOSPHERE MAY BE PRESENT**
- Take care not to generate mechanical spark when access to the instrument and peripheral devices in hazardous location.

Note 7. Maintenance and Repair

- The instrument modification or parts replacement by other than authorized representative of KOBOLD Messring GmbH is prohibited and will void KEMA/ATEX Explosion-proof / Flame-proof.

4.10.2 ATEX Approval Intrinsic Safe

ATEX Certificate Number: DEKRA 18ATEX0092 X

Equipment or protective systems intended for use in potentially explosive atmospheres

– Directive 2014/34/EU

The marking of the product shall include the following:

 II 1 G or 2 G Ex ia IIC T5 or T4 Ga or Gb

For T5: -30 to 40 deg C

For T4: -30 to 80 deg C

Electric Safety Parameter (Ui, li, Pi, Ci, Li)

- Ui = 30 Vdc
- li = 200 mA
- Pi = 0.9 W
- Ci = 27 nF
- Li = 104 uH

Compliance with Essential Health and Safety Requirements assured with:

EN 60079-0:2009

EN 60079-11:2007

EN 60079-26:2007

Safety Instructions: General

- Comply with the installation and safety instructions in the operating instructions.
- Staff must meet the following conditions for mounting, electrical installation, commissioning and maintenance of the device:
 - Be suitable qualified for their role and the tasks they perform
 - Be trained in explosion protection
 - Be familiar with national regulations
- Install the device according to the manufacturer's instruction and national regulations
- Only use the device in media to which the wetted materials have sufficient durability.
- Avoid electrostatic charging:
 - Of plastic surface (e.g. housing, sensor element, special varnishing, attached additional plates,...)
 - Of isolated capacities (e.g. isolated metallic plates)

Safety Instructions: Special Conditions

The non-metallic parts incorporated in the enclosure of this equipment may generate an ignition capable level of electrostatic charge. Therefore particularly when it is used for application that specifically require Group IIC, EPL Ga equipment, the equipment shall not be installed in a location where the external conditions can result in the build-up of electrostatic charge on such surfaces. Additionally, the equipment shall only be cleaned with a damp cloth.

Models with enclosures made of aluminium (ASTM B85) are considered to present a potential risk of ignition by impact or friction. Care must be taken during

installation and use to prevent impact or friction. Particularly, it must not be used for applications that specifically require EPL Ga equipment.

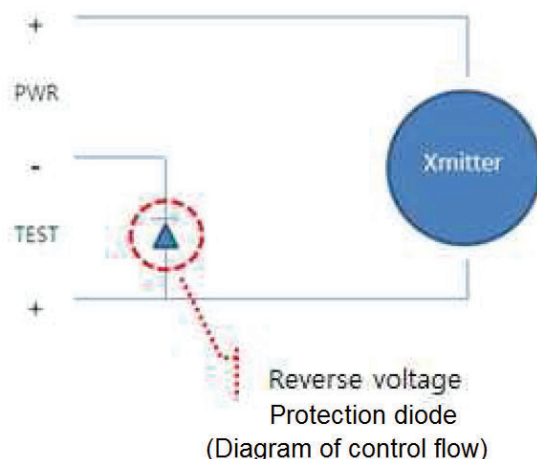
The insulation between the intrinsically safe circuit and the frame of the equipment is not capable of withstanding a 500 V dielectric strength test as defined in clause 6.3.12 of EN 60079-11:2007. This shall be taken into account during installation.

▲ Warning

- ❖ There are two cable entries. User shall select one of them to wire the cable.
- ❖ Make sure to use a cable gland at one cable entry with sufficient protection category and suiting the outer cable diameter used. The second cable entry shall be blocked by using a conduit plug or any other parts.
- ❖ For hazardous area usage, the choice of cable gland should suit the application and fulfill the corresponding certification requirements & End-user's requirement.

INSTALLATION

- ◆ Wiring is to be carried out only by qualified staff.
- ◆ The power supply voltage limits shall not be exceeded.
- ◆ Maintenance and repair should be isolated by power supply and any pressure.
- ◆ Wiring methods and length of cable of power supply cable and ground cable should be considered by proper Ex condition.
- ◆ Transmitter has the 'reverse polarity protection diode' in order to prevent failure in the field while wiring +, - power supply voltage. However if the wiring is not performed correctly or wrong terminals on rear terminal board are used for power supply, the transmitter may malfunction.



- ◆ Any additional part or accessory connected to transmitter shall have correct approval certificate to comply with the given Ex/ Non-Ex requirement. Cable gland, connector, adapter or any other connection used shall have the appropriate certification/ approval for use with the transmitter
- ◆ Additional electrical connection parts shall only be plugged by suitable plugs.
- ◆ Grounding of housing shall follow the “Local Electrical Codes”. For grounding a wire cross section of at least 4 mm² is recommended.
- ◆ Any cable grand must be approved by Ex condition in hazardous area.
- ◆ Connecting point of any joint (thread) parts should be followed by IEC 60079-1, 5.3 clause.

◆ **Housing Grounding**

- Internal Ground Connection: Open rear cover on transmitter, the ground bolt is located inside with grounding mark \oplus
- External Ground Assembly: On the left side of transmitter, there is a bolt for ground with grounding mark (for grounding use a cable lug).
- Housing Rotation hexa screw bolt shall be screwed tightly in order to hold the position of transmitter
- ◇ Compliance for intrinsically safety is ensured only if the intrinsically safe safety barrier complies with safety parameters as provided in the relevant ATEX certification
- ◇ To comply with intrinsic safe system concept, the transmitter is connected with the safety barrier in a loop (see chapter 6.7 Wiring).
- ◇ To assure an Intrinsic Safety System, the transmitter and barrier must be wired in accordance with the barrier manufacturer’s field wiring instructions and the applicable circuit diagram.

Warning
The entity concept allows interconnection of intrinsic safe apparatus to associated apparatus not specifically examined in combination as a system.

- ◇ The approved value of open circuit max. voltage U_o , max. short circuit current I_o and max. power P_o in associated equipments are should be less than or equal for max. safe input voltage U_i , max. input current I_i and max. safe power P_i of the transmitter with Ex ia.
- ◇ The approved value of max. capacitance C_o in associated equipments should be bigger than total value of capacitance C_i in transmitter with Ex ia + cable capacitance in associated equipment.
- ◇ The approved value of max. inductance L_o should be bigger than total value of inductance L_i in transmitter with Ex ia + cable inductance in associated equipment.

Equip with Ex ia	Comparison	Associated Equipment
$U_i = 30 \text{ VDC}$	\geq	U_o
$I_i = 200 \text{ mA}$	\geq	I_o
$P_i = 0.9 \text{ W}$	\geq	P_o
$C_i = 27 \text{ nF}$	$<$	C_o
$L_i = 104 \text{ uH}$	$<$	L_o

Operating

- ◇ Do not open or disassemble of the transmitter in Ex area or while operating.
- ◇ Do not make any spark in Ex area with Kobold transmitters.

Caution
External load resistance includes the safety barrier resistance for intrinsic safety device.

4.11 Notes on the machine and pressure equipment directive

When used in machines, the measuring unit should be used only when the machines fulfil the EC-machine guidelines.

as per PED 2014/68/EU

"Pressure gauges with a volume ≤ 0.1 L"

In acc. with Article 4 Paragraph (3), "Sound Engineering Practice", of the PED 2014/68/EU no CE mark.

Diagram 2

Vessels referred to in Article 4(1)(a)(i), second indent

5. Transmitter Functions

5.1 Overview

This Chapter contains information on operating Model PAS. Tasks that should be performed on the bench prior to installation are explained in this chapter.

5.2 Safety Message

Procedures and instructions in this chapter may require special precautions to ensure the safety of the personnel performing the operations. Information that raises potential safety issues is indicated by warning symbol (▲). Refer to the following safety messages before performing an operation preceded by this symbol.

5.3 Warning

▲ Warning
<p>Explosion can result in death or serious injury:</p> <ul style="list-style-type: none"> ❖ Do not remove the transmitter covers in explosion environments when the circuit is alive. ❖ Transmitter covers must be fully engaged to meet explosion proof requirements.

▲ Warning
<p>Electrical can result in death serious injury:</p> <ul style="list-style-type: none"> ❖ Avoid contact with the leads and terminals. High voltage that may be present on leads can cause electrical shock.

▲ Warning
<p>Electrical can result in death serious injury:</p> <ul style="list-style-type: none"> ❖ Only qualified & trained personnel should be allowed to operate these transmitters

5.4 Fail Mode Alarm

KOBOLD Smart Pressure Transmitter automatically and continuously performs self-diagnostic routines. If the self-diagnostic routines detect a failure, the transmitter drives its output outside of the normal saturation values. The transmitter will drive its output low (down) or high (up) based on the position of the failure mode alarm jumper. See Table 5.1 for Output values.

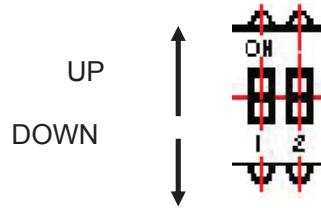
[Table 5-1 Standard Alarm and Saturation Value]

Level	4~20 mA Saturation	4~20 mA Alarm
Low/Down	3.9 mA	≤ 3.75 mA
High/Up	20.8 mA	≥ 21.75 mA

Fail Mode Selection (Fail High/UP or Low/DOWN) can be configured using the appropriate jumper switch provided on the LCD Module or DIP switches included on the Main CPU Module. For units provided with a LCD module one can select desired fail safe mode directly from the jumper switch included in the front display and this setting overrides the DIP settings on the back-end Main CPU module. However in case of blind units please select your required DIP switch settings from the DIP switch labelled (2) marked on the Main CPU board. Recommended jumper & DIP settings are listed in the table below for ready reference.

Select Fail Mode	Both LCD Module and CPU Module		Only CPU Module
	CPU Module	LCD Module	CPU Module
Fail Down	Down	D	D
Fail Up	Down	U	U
	Up	U or D	

< Fail Mode Selection DIP Switch of CPU Module >



- WR_EN (EEPROM Write Enable)
DOWN : ENABLE CONFIGURATION CHANGES
UP : DISABLE / LOCK CONFIGURATION CHANGES
- Fail Mode(Alarm)
DOWN : LOW
UP : HIGH

Figure 5-1 Fail Mode and EEPROM-Write Selection Jumper Switch



Note: DIP Switch (1) shown on Left in Fig 5-1 is for Write Enable/ Disable selection. DIP switch (2) shown on right in Fig 5-1 is for Fail Mode.

< Fail Mode Selection Jumper Switch of LCD Module >

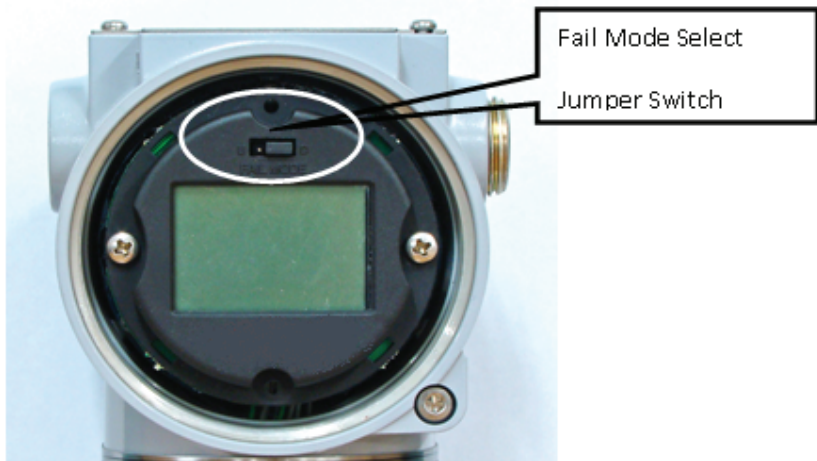
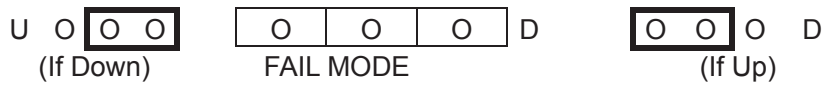


Figure 5-2 Fail Mode Selection Jumper Switch of LCD Module

5.5 EEPROM-Write Enable / Disable Mode Switch

PAS includes an EEPROM (Electrically Erasable Programmable Read Only Memory) that allows saving and restoring various configuration data within the transmitter on power failure. To lock configuration and protect changes to stored configuration data, one can use a HHC and or external HART® enabled PC device to enable a software lock feature under Status menu. Optionally for security lock on hardware side there is a Write-Protect Mode DIP Switch (1) on the Main CPU Module placed right next to the Fail Safe Mode switch (2). If you push DIP switch to UP you can lock out users from making any changes to configuration data through push buttons and/ or remote HHC already saved in the EEPROM. Alternatively when you push DIP Switch (1) to DOWN you can allow changes made to configuration data in EEPROM. Default state from factory (including with NO Jumpers) installed is EN (enable configuration changes).

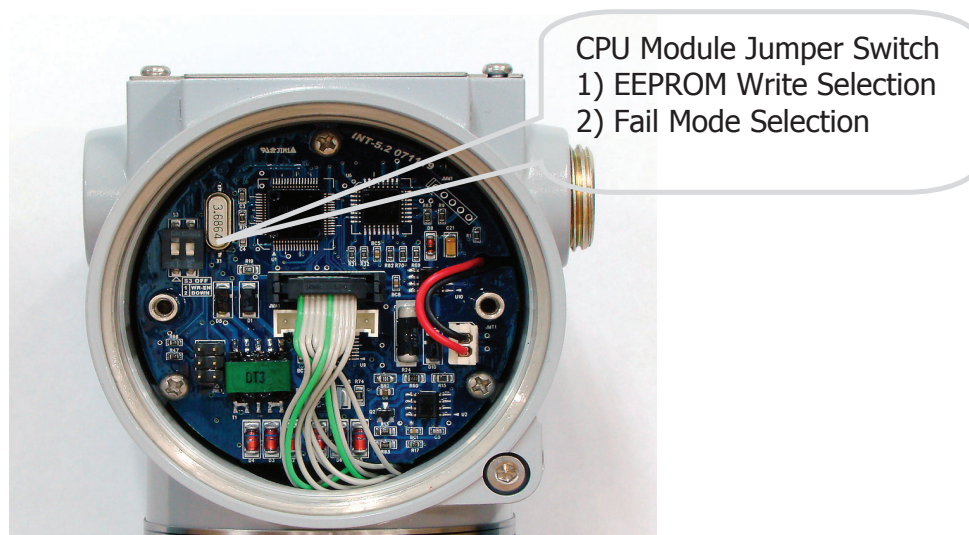


Figure 5-3. CPU Module Fail Mode, EEPROM-Write Selection Jumper Switch



Note: DIP Switch (1) shown on Left in Fig 5-3 is for Write Enable/ Disable selection. DIP switch (2) shown on right in Fig 5-1 is for Fail Mode.

5.5.1 Security

To quickly summarize there are three options available to implement configuration security lock out within the PAS. These include:

- (1) DIP settings on CPU Board
- (2) Software enable/ disable on Write function using HHT or HART® PC. (3)
- (3) Physically removing Zero and Span Magnetic Buttons from Transmitter thereby restricting local access to push button menus. This option will still allow changes via a remote HHT or HART® enabled configurator.

5.5.2 Zero and Span Magnetic Buttons

To access push buttons please remove top name plate to expose the magnetic style push buttons labelled zero/ span. To disable please unscrew and remove these push buttons.

5.6 Configuration of Alarm and Security Jumper Procedures

To change Jumper/ DIP switch position in field:

- (1) If transmitter is already wired and installed, cut off power.
- (2) Open the housing front side covers.

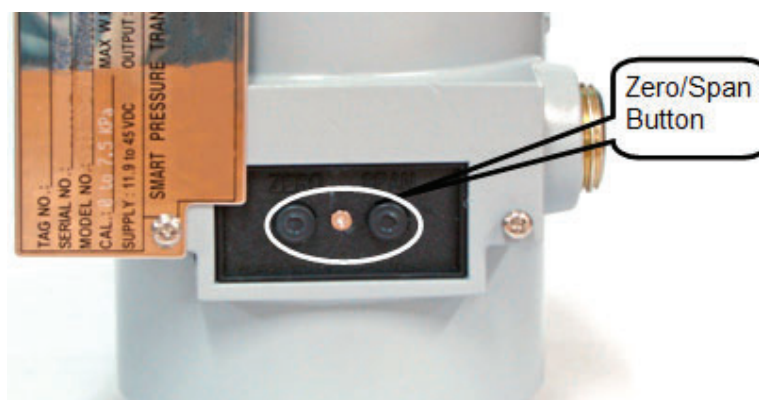


Warning: In hazardous areas DO NOT open the covers of Transmitter when power is energized as this can create a potential dangerous situation. Always kill power and de-energize the transmitter prior to opening front OR back covers in a hazardous location.

- (3) Adjust required jumper/ DIP position as detailed in section 5.4 & 5.5 above.
- (4) Close the housing covers. You must fully engage all cover threads to ensure compliance to explosion proof requirements

5.7 Configuration of Zero and Span Procedures with Buttons

There are ZERO and SPAN Buttons to be seen when the nameplate is opened (Figure 5-4). You may reconfigure the function settings of ZERO, SPAN, ZERO TRIM, ZERO ADJ, Units, Range, Damping, LCD and Decimal place, using ZERO / SPAN buttons.



[Figure 5-4 Transmitter Zero/Span configuration Buttons]

- (a) Unscrew both name plate screws on upper part of transmitter.
- (b) Flip the name plate to access Zero and Span Buttons. (Figure 5-4)



Caution: Do not fully unscrew all screws in order not to lose them.

5.7.1 Advance Configuration via Push Buttons

The advanced “smart” functions which can be initiated using ZERO / SPAN Buttons are shown below. This includes re-ranging of transmitters (Set URV/LRV) without an external pressure source.

To access advanced configuration and enter programming menu press both (Zero + Span) buttons simultaneously for 3 seconds. When display reads “MENU” release both push buttons immediately. This will put user into top of main programming menu indicated by message “1-TRIM” on display. To navigate through Main Menus and/ or Sub-Menus:

- (1) Use (Zero) button to scroll down a menu (or sub-menu if active).
Example: Press/ Release (Zero) to scroll down from Main Menu 1-Trim> 2-Setup > 3-LCD>1-Trim > 2-Setup etc. Or from an active sub-menu press/ release (Zero) to scroll down within a sub menu Example 21-Units> 22-URL > 23-LRL > 24-Damping > 21-Units > 22-URL etc.
- (2) Use (Span) button to enter into a specific Sub Menu or data input function.
Example: Pressing (Span) button from Main Menu <1-TRIM> will put user into Sub menu “11 ZERO TRIM”. Releasing and pressing (Span) button again will initiate Zero Trim configuration or releasing and pressing (Zero) button instead will increment user down to submenu “12 Z- ADJ”
- (3) Within an active sub-menu use of (Span) button also acts as an <enter> key to allow user to save changes and exit programming mode.
- (4) For moving back to previous menu press (Zero + Span) button together. During numeric value entry mode use (Zero + Span) button together to save numeric data inputted and exit from programming menu. See 5.7.3.3 below

Caution:



- After 30 seconds inactivity the automatic time out feature will default user back to normal measurement mode with a “BT-Err” message on display.

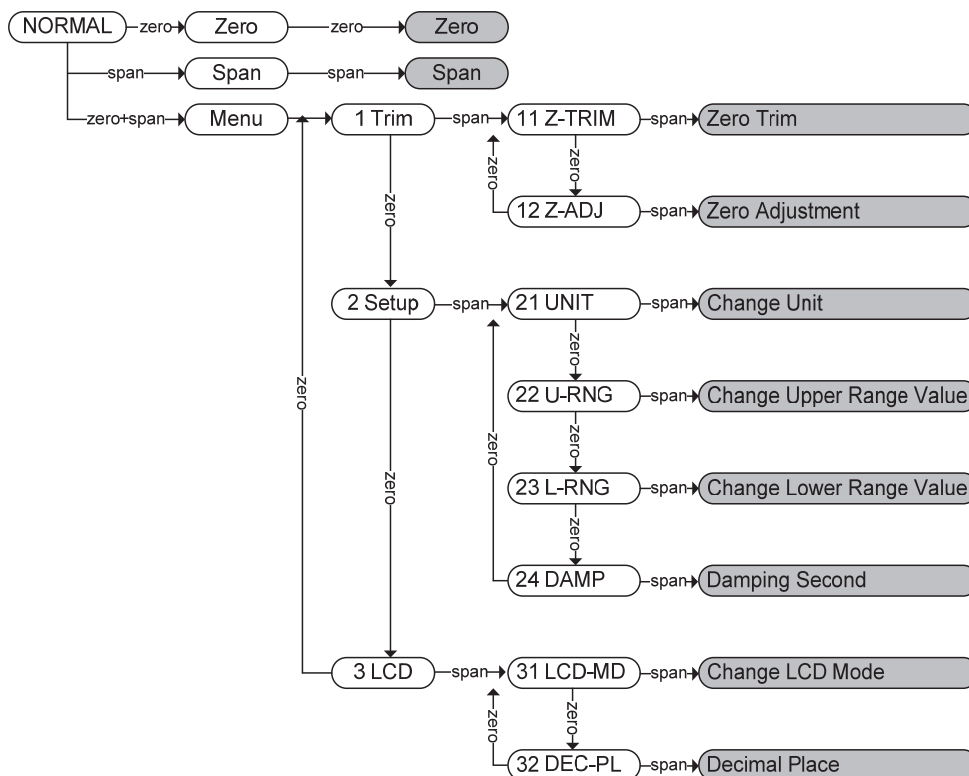
- Please refer to Appendix 1 for LCD display messages and the button errors.

5.7.2 Basic function of each or both button

Grey colour parts in the following menu tree 5.7.3

Function	in section	Remark
Zero	Sets the current process value for Lower Range Value (4 mA)	
Span	Sets the current process value for Upper Range Value (20 mA)	
Zero Trim	To modify exact “zero shift” to compensate for the mounting position	
Zero Adjustment	allows user to add a pre-defined offset (other than zero) to measured PV	
Change Unit	To modify units as user desires	
Change Upper Range Value	To modify upper range value as user desires	
Change Lower Range Value	To modify lower range value as user desires	
Damping Second	Modifies damping setting based on the required response time, signal stability, and other requirements of the loop dynamics of your system	
Change LCD Mode	To modify LCD Mode as user desires	
Decimal Place	To modify decimal place as user desires	

5.7.3 Menu Tree of ZERO/ SPAN Button Functions



5.7.3.1 Zero Configuration

- Sets the current process value for Lower Range Value (4 mA).
- Apply zero value pressure for 10 seconds and press ZERO button over 3 seconds. The LCD should display "ZERO". After checking this message, remove finger from the button.
- After 1 second, push the Zero button for 3 seconds. The LCD should display "-ZR-". This message means that the Zero configuration is completed and saved.
- If Zero Configuration was incorrectly performed the LCD will display error code "ZR-ERR" indicating failure and possible LRV setting out of sensor range capabilities. Try repeating the Zero configuration steps.

5.7.3.2 Span Configuration

- Sets the current process value for Upper Range Value (20 mA).
- Apply the desired pressure for 10 seconds and press SPAN button over 3 seconds. The LCD should display "SPAN". After checking this message, remove finger from the button.
- After 1 second, push the Span button for 3 seconds. The LCD should display "-SP-". This message means that the Span configuration is completed and saved.
- If the Span configuration was incorrectly performed the LCD will display error code "SP-ERR" indicating failure and possible URV setting out of sensor range capabilities. Try repeating the Span configuration steps.

5.7.3.3 STEPS TO INPUT NUMERIC DATA VALUE:

Specific functions that need users to input a numerical value are found in following sub-menus:

- 12 Zero Adjustment,
- 22 Change Upper Range Value,
- 23 Change Lower Range Value,
- 24 Damping Second

First time users should familiarize themselves with numeric value input sequence prior to accessing above sub menus. Due to limited flexibility with only 2 push buttons available for configuration, it is not possible to directly input numeric values within these sub-menus. Instead, the correct sequence requires user to first set an increment (10x) rate e.g. 0.01, 0.1, 1.0, 10, 100, 1000 etc and then proceed with changing numeric value by the set rate increment.

For example, to input a numeric value as "3810" from existing displayed value of "0000":

- >First Set increment rate as "1000"
- >Increase display "0000" value 3 times in steps of 1000 till it reads "3000"
- >Then set increment rate again as "100"
- >Increase 8 times in steps of 100 till display reads "3800"
- >Set increment rate again as 10
- >Increase 1 time for a step change of 10 till display reads 3810.

This section outlines the push button sequence for facilitating direct numeric value input from following sub-menus :

“12 Zero Adjustment”, “ 22 Change Upper Range Value”,
“23 Change Lower Range Value” and “24 Damping”.

When activating these sub-menus (by pushing down & releasing (span) button from within its active menu) the display will automatically prompt for “SEL INC” message.

From here:

- a) To select an increment rate push down on (Zero) button when “SEL INC” Message is displayed on LCD sub-menu. Release (Zero) button when display value changes. Each subsequent (Zero) push-release key stroke will shift display decimal point to left. Example when display shows “SEL INC” 1000. Subsequently for every push release keystroke of (Zero) button the display will cycle from >100>10>1>0.1>0.01>100>10 etc
- b) Once desired “SEL INC” (0.1, 1, 10, 100 etc) increment rate is set, push the (Span) button to accept and enable set numeric “VALUE” mode.



Note: When executing (Span) button from “SEL INC” menu the LCD display will typically show the last saved numerical value along with a “VALUE” message on second line indicating that user can now initiate changes by incrementing or decrementing numeric value.

- c) From within “VALUE” menu pushing down on either (Zero) or (Span) button (not both) will allow the numeric value to increment (Zero) or decrement (Span) by the “SEL INC” value selected by user in the previous step (b).
- d) After desired numeric value is displayed, push down on (Zero + Span) buttons together to accept new data inputted and this will bring user back to <SEL INC> menu. Step (a) screen above.
- e) Repeat steps (a) through (c) detailed above until the final numeric value required is displayed in “VALUE” Menu.
- f) To store final numeric value to EEPROM push (Zero + Span) button twice to save and exit.



Note pressing Zero + Span once from “VALUE” menu will bring user back to “SEL INC” menu step (a). However pressing (Zero + Span) buttons together second time (from “SEL INC” menu) and releasing these buttons, when screen shows “INC OK” message, will save the last numeric value inputted and brings the user back to Measurement Mode.

- g) If the programming sequence is successful, the display will read –DONE- else “BT-ERR” to indicate failure. If display shows “RANGOVR” it indicates numerical value inputted is out of specs.

5.7.4 Push Button sequence for each Programming Sub-Menu

5.7.4.1 ZERO TRIM (Sub Menu 11)

- Enter programming menu by pushing both (ZERO+SPAN) buttons together for 3 seconds. Release buttons when LCD displays MENU and display will automatically change to “1 TRIM” confirming access into programming menu.
- Access “Zero Trim” Function by pressing the SPAN button until “11 Z-TRIM” message appears.
- To save the settings, press SPAN button again until “-TR-“ message appears.



Important Note: make sure process input to transmitter is at true zero else this may create an incorrect Zero Offset. If a wrong zero is suspected please execute Zero Trim again ensuring the proper steps & correct Zero PV input is applied to transmitter.

5.7.4.2 ZERO ADJUSTMENT (Sub Menu 12)

- Example used to show changing the PV value as 14

- Enter programming menu by pushing both (ZERO + SPAN) buttons together for 3 seconds. Release buttons when LCD displays MENU and display will automatically change to “1 TRIM” confirming access into programming menu.
- Access Zero Trim Function by pressing the SPAN button until “11 Z-TRIM” message appears.
- Press ZERO button until the “12 Z-ADJ” message appears.
- Press SPAN button to access the “Zero Adjustment” function.
- When the “SEL INC” message appears, press ZERO button repetitively until LCD value changes to 10.0. Select it as increment rate by pressing SPAN button.
- When “VALUE” message appears on display, increment forward (Zero) or decrement backward (Span) to set the LCD value to “10.0”. You will note the LCD display will increment or decrement by factor of 10 which is the “SEL INC” value selected in previous menu. Once desired base value of “10” is displayed push (Zero + Span) button to accept new value and “SEL INC” message appears upon which release buttons.
- From menu where “SEL INC” message appears again, change the LCD value to 1.0 by pushing (Zero) button once and then push (Span) button to enter input “VALUE” menu.
- Here push (Zero) or (Span) to increment or decrement by SEL INC (1) until display reads “14” . Push (Zero + Span) button after LCD value is changed to 14.0 and release both buttons when display reads “SEL INC”.
- To save the numeric value of 14 set from previous steps push ZERO + SPAN buttons until the “IN_OK” message appears.
- Release ZERO + SPAN buttons. Message “ZA” confirms that Zero Adjustment is finished.
- If display shows “BT-ERR” instead of –ZA- please repeat all steps once again.
- If display shows “ADJ-U” or “ADJ-L” the inputted numerical value is out of specs for zero adjustment range for the supplied range codes.

5.7.4.3 CHANGE UNITS (Sub-Menu 21)

- Enter programming menu by pushing both (ZERO+SPAN) buttons together for 3 seconds. Release buttons when LCD displays MENU and display will automatically change to “1 TRIM” confirming access into programming menu.
- Move to the next menu by pressing ZERO button until the “2 SETUP” message appears.
- Press SPAN button to access 21 UNIT, press SPAN button to access function of “Change Unit”. To execute this function push SPAN button. Release button when display changes to 211 (xxx) where “ xxx “ are the last units (e.g. bar, kpa, “H2O etc) saved previously.
- Press ZERO button repetitively until the desired unit is displayed on the bottom of the LCD. Save and exit by pressing (Span) button.

5.7.4.4 CHANGE Upper Range Value (Sub-Menu 22)

- Enter programming menu by pushing both (ZERO + SPAN) buttons together for 3 seconds. Release buttons when LCD displays MENU and display will automatically change to “1 TRIM” confirming access into programming menu.
- Move to the next menu by pressing ZERO button until the “2 SETUP” message appears.
- Press SPAN button until the “21 Unit” message appears.
- Press ZERO button until the 22 U-RNG message appears.
- Press SPAN button to access function “Change Upper Range Value”.
- Follow Set numeric value procedure explained under section 5.7.3.3 to input desired URV numeric value.

5.7.4.5 CHANGE Lower Range Value (Sub-Menu 23)

- Enter programming menu by pushing both (ZERO + SPAN) buttons together for 3 seconds. Release buttons when LCD displays MENU and display will automatically change to “1 TRIM” confirming access into programming menu.
- Move to the next menu by pressing the Zero button until the “2 SETUP” message appears.
- Press SPAN button until the “21 Unit” message appears.
- Press ZERO button until the “23 L-RNG” message appears.
- Press SPAN button to access function “Change Lower Range Value”.
- Follow Set numeric value procedure explained under section 5.7.3.3 to input desired LRV numeric value.



Note: When setting URV/ LRV numeric data please ensure values being inputted fall within the allowed minimum/maximum specifications published for the installed sensor range code. Only if display shows –DONE- will the transmitter update its stored configuration & accept the new values. If out of limits the transmitter will reject values entered and default to previous saved values after displaying a “RNGOVR” error message.

5.7.4.6 CHANGE Damping Value (Sub-Menu 24)

- Enter programming menu by pushing both (ZERO + SPAN) button together for 3 seconds. Release buttons when LCD displays Menu and display will automatically change to “1 TRIM” confirming access into programming menu.
- Push (Zero) button when “1 TRIM” message appears on LCD. Release button when display changes to “2 SETUP”.
- To move into sub directory push (Span) button when “2 SETUP” message appears on display. Release button when 21 UNIT message is displayed.
- Push (Zero) button to move down to sub-menu 22. When display shows “22 U-RNG” release button.
- Push (Zero) button to move down to sub-menu 23. When display shows “23 L-RNG” release button.
- Push (Zero) button to move down to sub-menu 24. When display shows “24 DAMP” release button.
- You are now in Change Damping sub menu. To execute this function push (Span) button when “24-Damping” message appears on display. Release button when display changes to 241 (xxxx) when xxxx is last configured damping value saved.
- Follow Set numeric value procedure explained under section 5.7.3.3 to input desired URV numeric value.

5.7.4.7 CHANGE LCD Mode (Cyclic or Fixed Display) (Menu 31)

- Enter programming menu by pushing both (ZERO + SPAN) button together for 3 seconds. Release buttons when LCD displays Menu and display will automatically change to “1 TRIM” confirming access into programming menu.
- Move to the next menu by pressing ZERO button until the “2 SETUP” message appears.
- Move to the next menu by pressing ZERO button until the “3 LCD” message appears
- Press SPAN button until “31 LCD-MD” message appears. Press SPAN button again to access function “LCD Multi-display”.
- Press ZERO button repetitively until the desired display form is displayed on the bottom of the LCD (see table below for different options).

Message on LCD	Definition	Description	Remark
NOR_RO	Normal Rotation Mode	Indicating the value with PV, %, mA units in rotation on LCD	
NOR_PV	Normal PV Mode	Indicating measured PV value on LCD	
NOR_%	Normal Percent Mode	Indicating measured PV value in percentage of Cal. Range on LCD	
NOR_mA	Normal mA Mode	Indicating 4 ~ 20 mA value depending on measured PV value on LCD	
ENG_RO	Engineering Rotation Mode	Indicating the value with Engineering PV, Engineering %, Engineering mA units in rotation on LCD	
ENG_PV	Engineering PV Mode	Indicating changed PV value with modified Engineering range	

- To save the settings, press SPAN button until “DONE” message appears.



Important Note: Always select only one of NOR (normal) modes. Though it is possible to set ENG (engineering) modes also from this menu it is not recommended unless specific Engineering mode parameters such as engineering units, High/Low values, Linear/Sq-Root functions etc have been pre-configured either from factory (if specified on your order) or using an external HHC based configuration when available. With engineering mode enabled users have the added flexibility of configuring LCD display to emulate custom preferences separate from the transmitter current output functions. As such with engineering mode enabled users can program custom units, engineering units for flow, volume totals and level, scale different URV/LRV, linear mode etc independent of those explained in previous sections.

5.7.4.8 CHANGE LCD Resolution (Decimal Place) (Sub-Menu 32)

- Enter programming menu by pushing both (ZERO + SPAN) button together for 3 seconds. Release buttons when LCD displays MENU and display will automatically change to “1 TRIM” confirming access into programming menu.
- Move to the next menu by pressing ZERO button until the “2 SETUP” message appears.
- Move to the next menu by pressing the Zero button until the “3 LCD” message appears.
- Press the Span button until the “31 LCD-MD” message appears.
- Push (Zero) button to move down one sub menu and release button when “32-DEC-PL” message is displayed.
- Press the Span button to access function “Decimal Place”.
All available resolution modes are listed in table below.
- Push Zero button to cycle through display options i.e. AUTO, 5-0, 4-1, 3-2, 2-3 and 1-4 and once desired resolution is displayed push SPAN to save and exit.

Display	Description	Max. Value
AUTO	Auto ranging of display	99999
5 - 0	No decimal place	99999
4 - 1	Display one decimal place	9999.9
*3 - 2	Display two decimal place	999.99
2 - 3	Display three decimal place	99.999
1 - 4	Display four decimal place	9.9999

*3-2 format will be displayed for mA and % regardless of any other setting.

- The set value will be applicable for displaying PV value and Engineering value.
 - The LCD will display “LCD_OV” and current setting unit when the pressure exceeds the limit of the setting value.
- Please refer to Appendix 1 for LCD display message and the button errors.

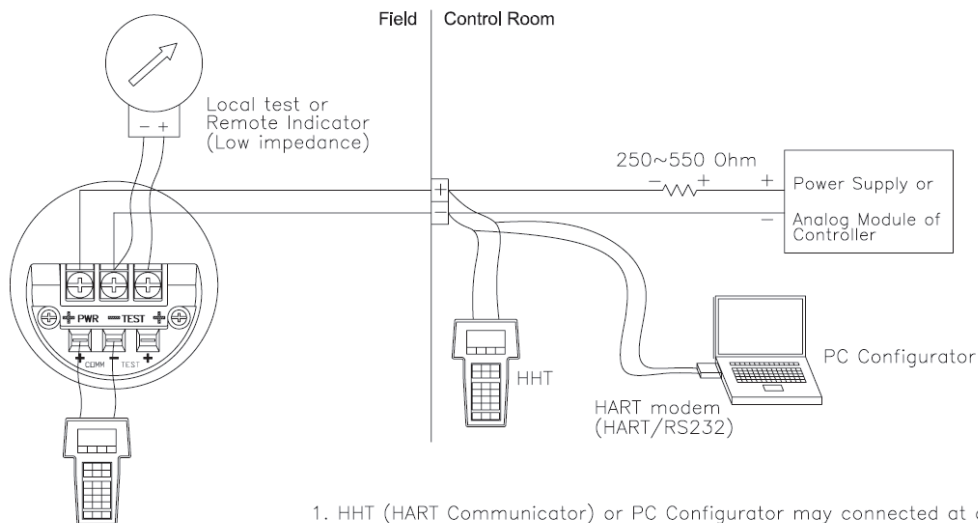
5.8 Wiring Connections for External HHT/ Ammeter

PAS Pressure Transmitter can also be commissioned using a HART® enabled HHT or PC configuration either before or after installation. A complete commissioning consists of configuring and/ or verifying transmitter configuration data, testing the transmitter, testing the loop and zero trimming. For hazardous area installation to avoid exposure of “live” electronic circuits in field it is recommended that all Jumper settings of transmitter (Fail safe, Write disable etc) be done in the shop prior to moving the transmitter on to field installation.



▲ Note: Test pins can be used to connect an Ampere meter for measuring output current without disconnecting loop connections or for connecting a remote indicator. You cannot initiate HART® digital communication if connecting a HHT directly across "TEST" pins. Use terminals marked communication for connecting an external HART® MASTER. You must ensure a minimum of 250~550 ohm resistance in Current Loop for any HART® Communication or PC configuration to work. If needed connect a 250 ohm resistor in loop to enable digital communications. Also for correct operation of a 4~20 mA loop, required power supply (11.9 V ~ 45 Vdc) must be provided at supply inputs marked (+) and (-).

POWER / SIGNAL CONNECTIONS



1. HHT (HART Communicator) or PC Configurator may connected at any termination point in the signal loop.
2. HART Communication requires a loop resistance between 250 ~ 550 ohm @ 24Vdc.
3. Transmitter operates on 11.9 to 45.0 Vdc transmitter terminal voltage.

[Applied Power]

- * 11.9 ~ 45.0 Vdc for General Operation
- * 17.4 ~ 45.0 Vdc for HART Communication
- * 17.4 ~ 42.0 Vdc for CSA Approval

[Figure 5-5 Connection the transmitter to HHT]

6. Installation

6.1 Overview

The information in this chapter 6 covers installation considerations. Dimensional drawings for Model PAS variation and mounting configuration are included in this chapter.

6.2 Safety Message

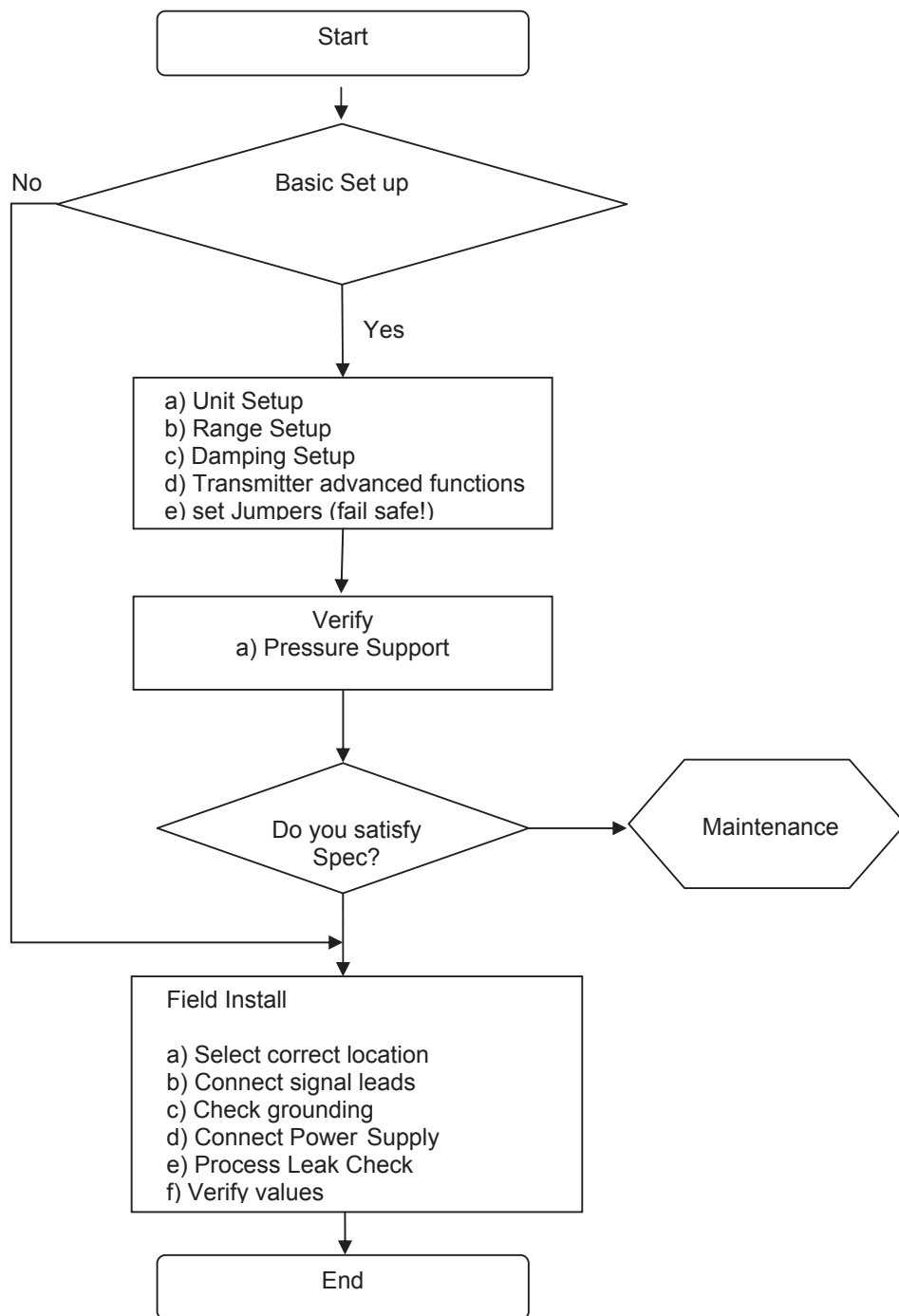
Procedures and instructions in this chapter may require special precautions ensure the safety of the personnel performing the operation. Information that raises potential safety issues is indicated by a warning symbol (▲). Refer to the following safety messages before performing an operation proceeded by this symbol.

6.3 Warning

▲ Warning
Explosion can result in death or serious injury : <ul style="list-style-type: none">❖ Do not remove the transmitter covers in hazardous locations when the circuit is live.❖ Transmitter covers must be fully engaged to meet explosion proof approval requirements.
▲ Warning
Electrical shock can result in death or serious injury. If you install transmitter around a high voltage environment e.g. power lines there may be a very high likelihood of high voltages induced on to the signal lines. <ul style="list-style-type: none">❖ Avoid direct contact with the signal leads and terminals to avoid potential electrocution.
▲ Warning
Process leaks can cause death or serious injury: <ul style="list-style-type: none">❖ Install and tighten before applying pressure. Inspect regularly for process leaks
▲ Warning
Electrical can result in death serious injury: <ul style="list-style-type: none">❖ Only qualified & trained personnel should be allowed to operate these transmitters.
▲ Warning
<ul style="list-style-type: none">❖ Instrument installed in the process is under pressure. Never loosen or tighten the flange bolts as it may cause leakage of process fluid.❖ If the process fluid may be toxic or otherwise harmful, take appropriate care to avoid contact and/ or exposure to direct vapors even after dismounting the instrument from process line for maintenance.

6.4 Commissioning on the bench with Hand-Held Terminal

Use of a HHT is possible before or after field installation. However, as a good engineering practice it is recommended to first familiarise with available functions before installation so that you have pre-commissioning done on the bench before installing the transmitters in field. In line with good engineering practice please follow the flow chart outlined below:



[Figure 6-1 Commissioning Flow Chart]

6.5 General Considerations

The PAS transmitter uses a piezoresistive pick up. As changes in pressure are accurately detected, any zero shift or installation offsets will be transmitted as a pressure change on the 4~20 mA analogue current output. Hence it is recommended that the transmitter be mounted as close to the process as possible and use short impulse piping, when possible, to achieve best accuracy. However it is equally important to be mindful of basic requirements including ease of access, safety of personnel, practical field calibration accessibility and a suitable transmitter environment when selecting a mounting location. In general, install the transmitter so as to minimize vibration, shock, and temperature fluctuations.

6.6 Electrical Considerations

The internal of the transmitter housing comprises of two sections. The front section is for the electronics module, and Rear side is for the terminal block. On backplane of the Rear Cover "Field Wiring Diagram" is included for easy identification. This can be accessed by opening the rear housing cover and exposing the terminal block inside. Terminal blocks have polarity cleared marked for supply, TEST and communication connections. Please connect transmitter power to supply connections with proper polarity. Hand held configurators connect directly to "COMM" pin provided below the Supply connections. Similarly a remote field Indicator or current ammeter can connect to "TEST" pins provided. Though transmitter is protected from reverse polarity protection it is recommended not to apply incorrect polarity across TEST pins as it may damage the protection diodes included.

6.6.1 Power Supply

For powering transmitter an external DC voltage between 11.9V~ 45 Volts DC is recommended. The external power supply ripple noise should not be higher than 2 %. When calculating loop resistances please include resistance of all devices added in the loop.

$$\text{Max. Loop Resistance } [\Omega] = (E-11.9) [\text{Vdc}] / 0.022 [\text{mA}]$$

Here, loop resistance of minimum 250 ~ 550 Ω (@24 Vdc) is recommended for HART® communication.

6.7 Wiring

6.7.1 Cautions during Wiring

- (1) Install signal cables away from electrical noise resources like capacitive transformers, motors, power supplies where possible.
- (2) Before wiring pull out the electrical lead connection cap included and replace with appropriate cable glands.
- (3) Please use waterproof sealants on conduit screws. Use of silicon based sealants is recommended when possible.
- (4) Do not run signal lines & power lines in same cable duct to reduce noise on signal lines.
- (5) For explosion-proof transmitters in order to maintain explosion-proof requirements please follow additional local electrical codes and practices where applicable.

6.7.2 Selection of Wiring Materials

- (1) Use PVC shielded wire or standard lead line of same class or cable rated for 600 V or higher. In order to ensure proper communication use 24 AWG or larger wire specs, and do not exceed 1500 meters.
- (2) Use twisted pair double shielded wires in high electrical noise affected areas.
- (3) For high or lower ambient temperature areas ensure wires or cables installed also meet the operating temperature specs.
- (4) Use appropriate insulation in environment with high likelihood of oil, solvent, toxic gas or liquid spills.
- (5) Wiring leads must NOT be soldered to terminal lug. Use the mounting screws included instead to ensure a tight rigid hook up to the terminals.

6.7.3 Connections of External Wiring to Transmitter Terminal Box

Wiring method is as follows:

- (1) Open the housing cover indicated "FIELD TERMINAL". NOTE: For hazardous environments do not open the covers when transmitter is powered and circuits are live.
- (2) Connect the power supply in the terminal indicated "+PWR" (left terminal) and "-" power supply in the central terminal. Do NOT connect "+" power supply in "+" terminal of the point indicated "TEST". It will damage the test diode used for connecting TEST terminal.
- (3) Seal and close unused conduit connections to protect transmitters from severe humidity and explosive gases from entering into the terminal box compartment.
- (4) Avoid running signal wiring near AC or high power lines. In case of ground signal, ground the signal loop's on one side making sure other side is not grounded.
- (5) Ensure loose contacts are eliminated and proper wiring connections are maintained.
- (6) After wiring replace transmitter cover. In case of explosion proof areas, you must satisfy all requirements to maintain certification requirements.

- (7) Do not supply high voltage AC power into transmitter leads as it can cause permanent damage to transmitter.
- (8) Use surge protectors to protect transmitter from external power surges.
- (9) Ensure you have a 250~600 W Loop Resistor in current loop (between power supply and transmitter) for proper HART® Communication. Follow Figure 6-2 below for wiring instructions.

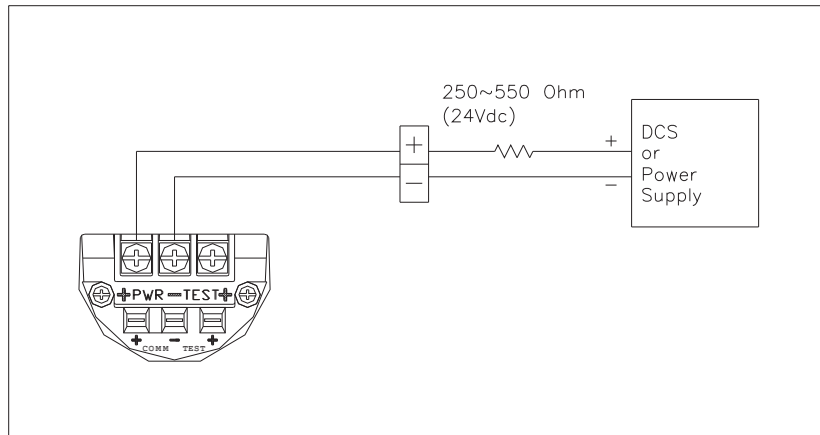


Figure 6-2 Connection with Terminal Board of Transmitter

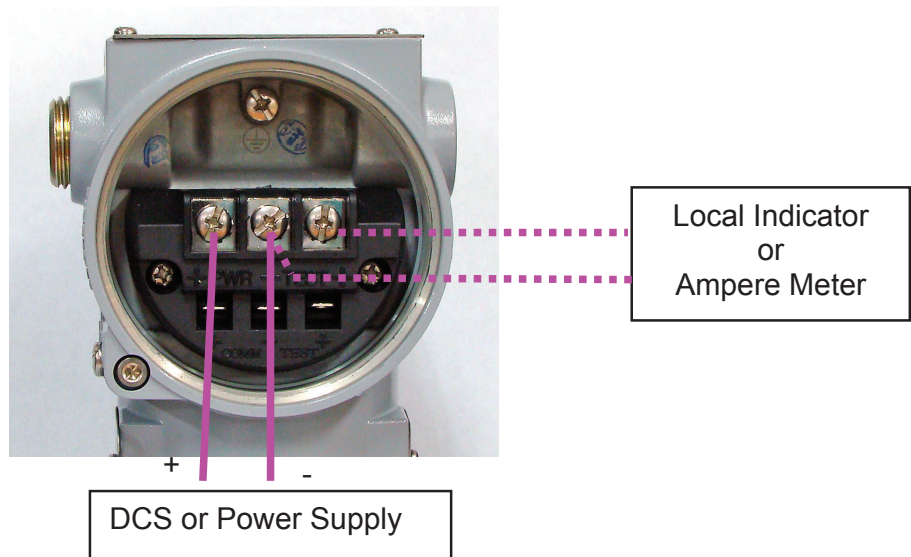


Figure 6-3 Picture of Terminal Board of Transmitter

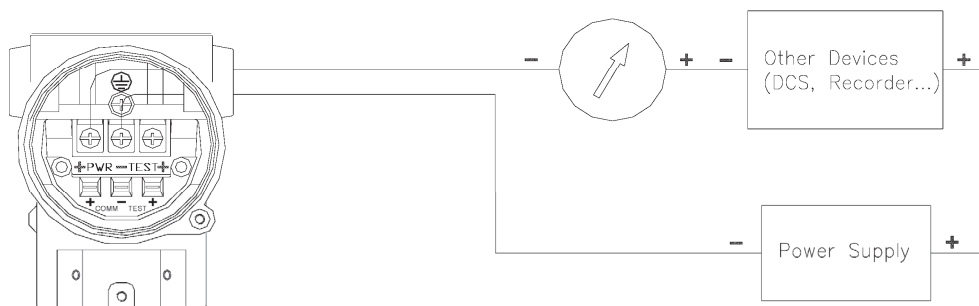
6.7.4 Wiring

A. Loop Configuration

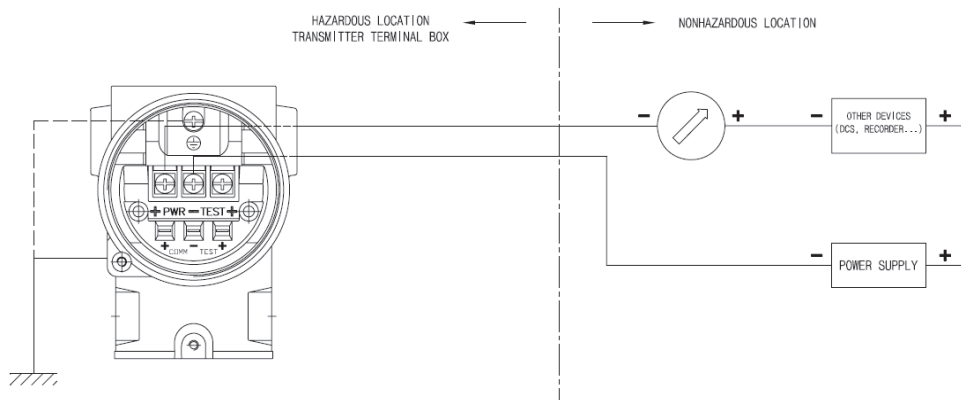
Kobold Series Transmitters use a two-wire system for power supply, 4~20 mA analogue signal transmission and HART digital transmission. DC Power Supply is required for the transmitter loop. The Transmitter and distributor are connected as shown below.

(1) Non-Explosion proof / Non-Flameproof Type

Transmitter terminal box

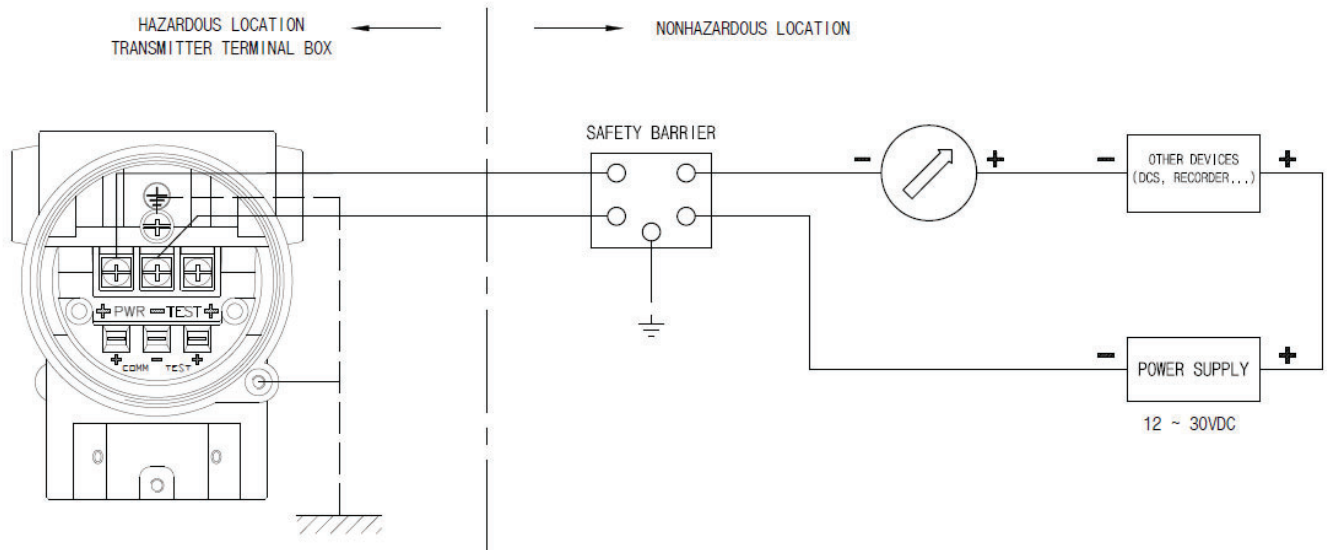


(2) Explosionproof Type



(3) Intrinsically Safe (Ex ia) Type

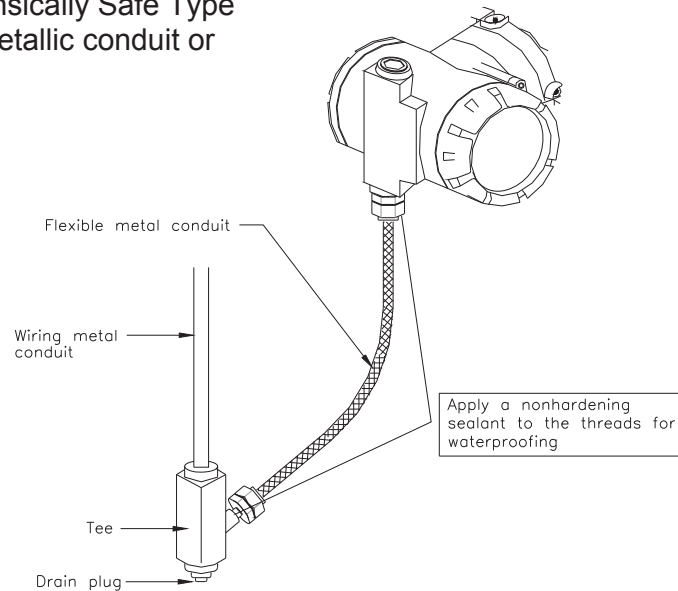
For an intrinsically safe operation, an appropriate intrinsically safe (IS) safety barrier should be used. The IS safety barrier should have an appropriate approval and placed outside the hazardous area (in non-hazardous area). IS Safety Barrier manufacturer's instructions should be followed in this respect.



B. Wiring Installation

- (1) General-use Type and intrinsically Safe Type
 Make cable wiring using metallic conduit or Waterproof cable glands.

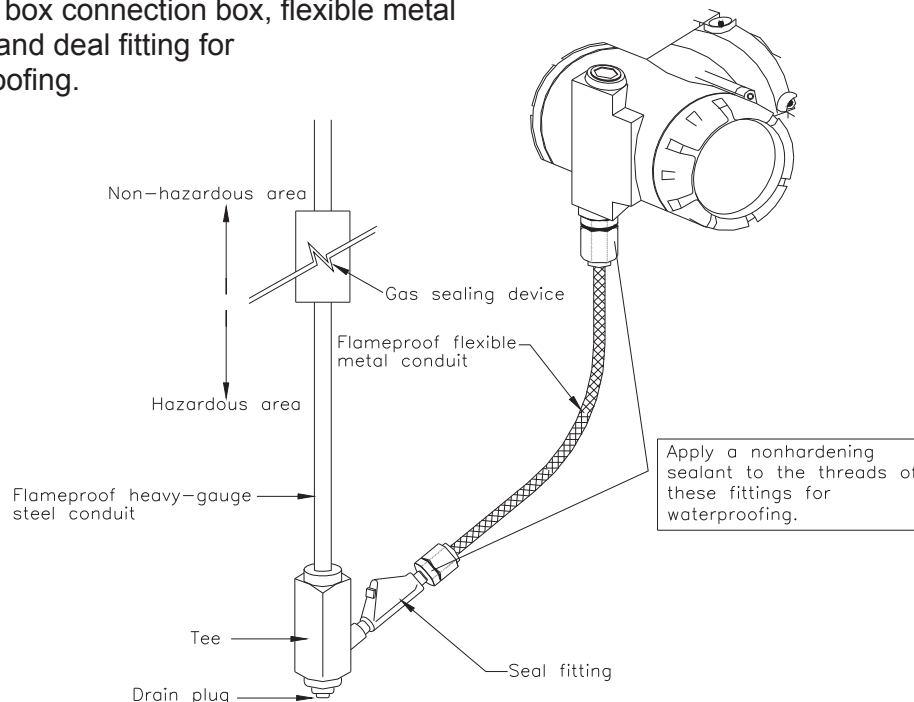
Apply a non-hardening sealant to the terminal box connection port and the threads on the flexible metal conduit for the waterproofing.



[Figure 6-4a
 Typical Wiring using
 Flexible Metal Conduit]

- (2) Flameproof metal conduit wiring (Figure 6-4b)

- A seal fitting must be installed near the terminal box connections port for a sealed construction.
- Apply a non-hardening sealant to the threads of the terminal box connection box, flexible metal conduit and deal fitting for waterproofing.



[Figure 6-4b
 Typical Wiring using
 Flameproof Metal Conduit]

After wiring, impregnate the fitting with a compound to seal tubing.



Only Exd-certified cable conduits, cable glands and blanking plugs with corresponding temperature limits may be used with certified instruments in hazardous areas (Blanking plugs supplied with standard scope of delivery are not ATEX-certified and must be replaced by the customer with certified blanking plugs).

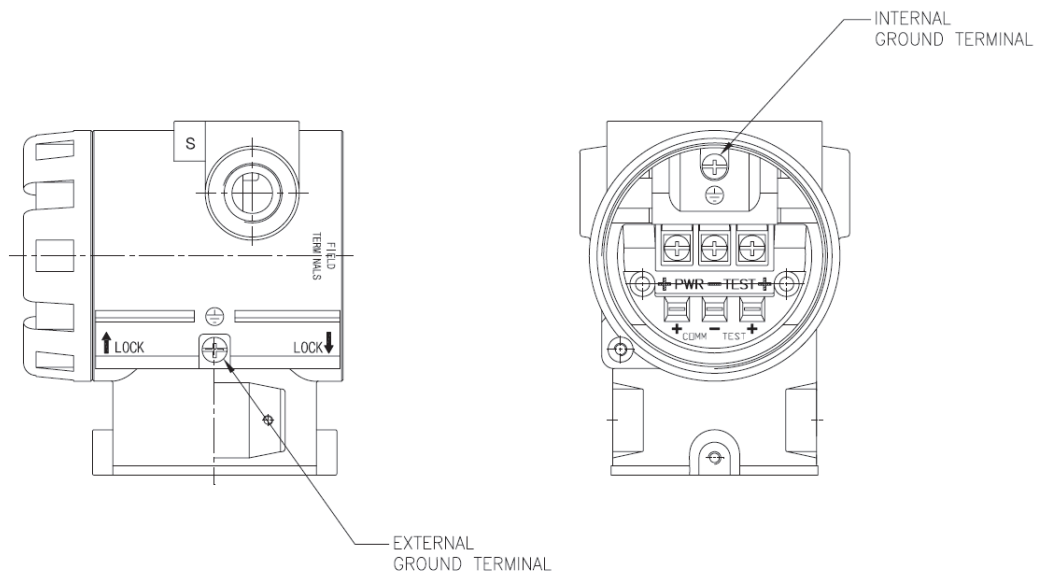
6.7.5 Grounding

- (a) Grounding should satisfy typical requirements (grounding resistance 10 Ohm or less). Grounding is required below 10 Ohm for explosion proof requirements.



Note! In case with Built-in Lightning Protector, grounding should satisfy special requirements 1 Ohm or less)

- (b) There are ground terminal provided on the inside and outside of the terminal box. Either one of these terminals may be used for grounding the transmitters.
- (c) Use PVC insulated wire (600V min rated) for grounding.



[Figure 6-5
Internal and external grounding terminals of the PAS Smart pressure transmitter]

6.7.6 Power Supply Voltage and Load Resistance

When configuring the loop, make sure that the external load resistance is within the range in the figure below. Since the voltage of transmitter terminal input is same as follows.

- General Standard : 11.9 to 45 V_{DC}
- Hart Communication : 17.4 to 45 V_{DC}

And maximum loop current is 24mA, Load resistance R:

$$R = (E - 11.9) / 0.022 \quad (E = \text{Power Supply Voltage})$$



Note!

In case of an intrinsically safe transmitter, external load resistance includes safety barrier resistance.

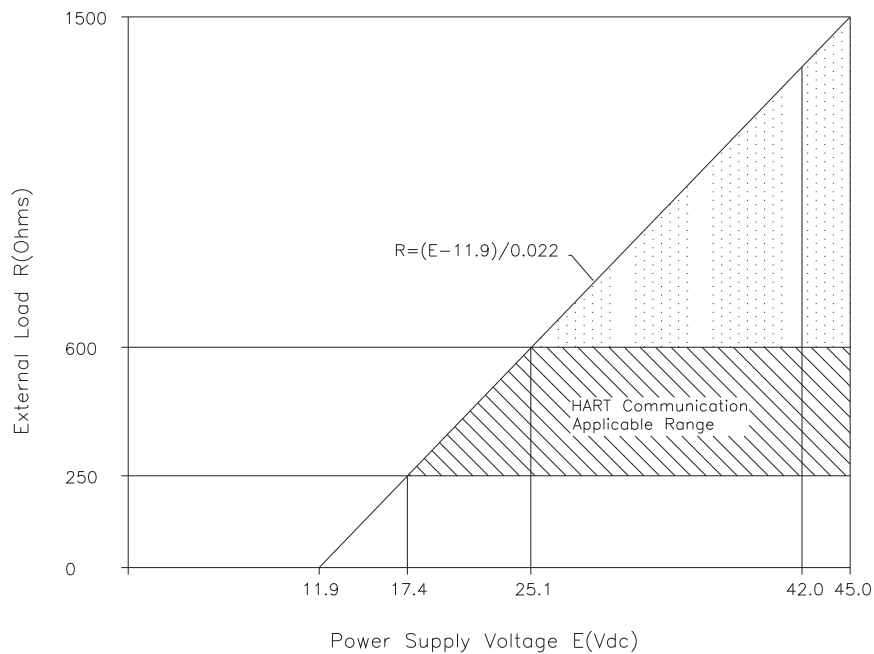
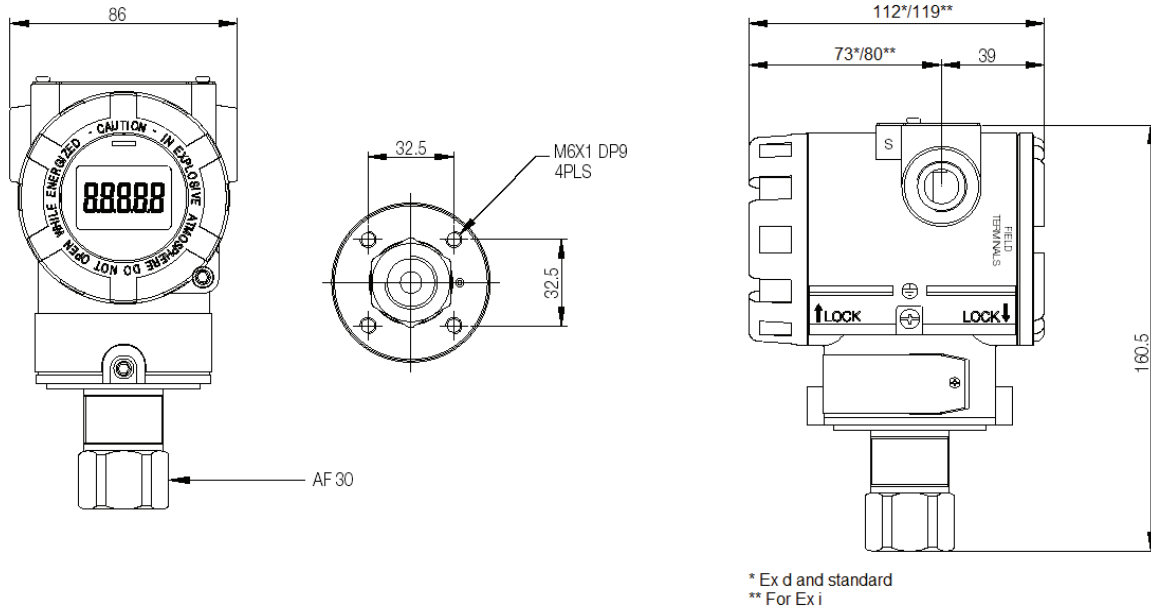


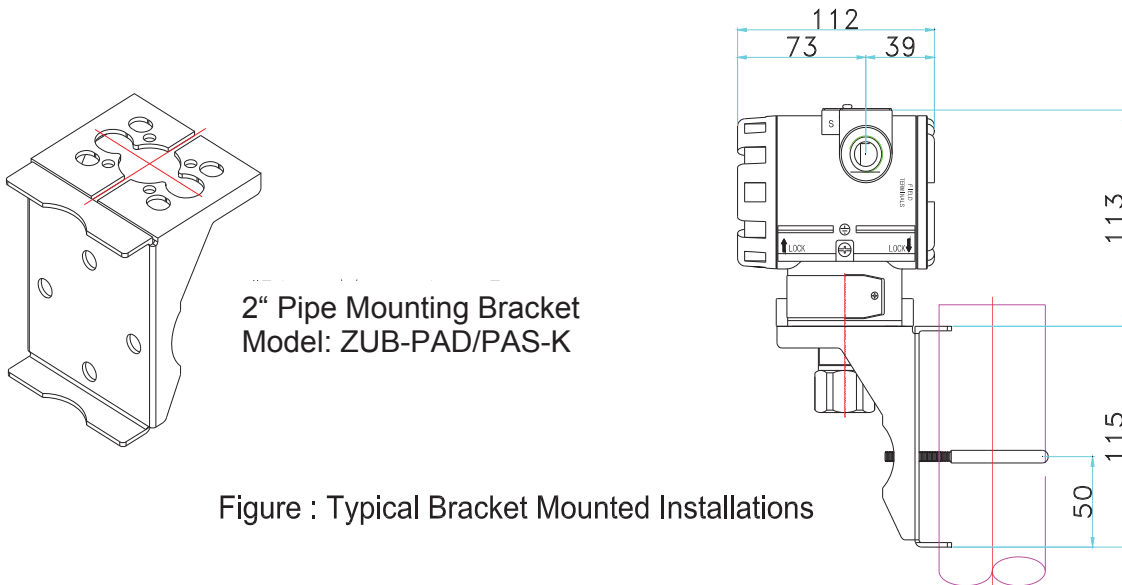
Figure 6-5 Model PAS Smart Pressure Transmitter Power Supply

6.8 Mechanical Considerations

Figure 6-6 is transmitter dimensional drawings of PAS. A mounting example and dimensional drawings are shown in Figure 6-7.



[Figure 6-6 Transmitter Outline Dimensional Drawings]



6.8.1 Mounting

During installation provide transmitters with adequate support. In the case of severe vibration, we recommend mounting to a 2" pipe using appropriate mounting bracket available as option. Kobold offers two styles of mounting brackets in SS. These include an "Angle type" and a "Flat type".

6.8.2 Transmitter accessibility

When selecting a suitable location to install the transmitter it may be convenient to also consider following options.

- (1) Ensure adequate clearance is provided for rear cover access and wiring terminals.
- (2) If LCD option is installed provide adequate access for front.
- (3) Housing can be rotated up to 180° clockwise or 90° anticlockwise to provide easy access to front (or rear) of the transmitter. When rotating housing loosen lock nut placed above neck tag and ensure that sensor cable connectors are not damaged.
- (4) LCD Module can also be rotated 90° clockwise or anticlockwise, if required.

6.9 Environmental Considerations

6.9.1 Effect of Ambient Temperature

Transmitter is recommended for use within -40C to 80C operating ambient temperature range. Recommended installation for continuous operation is -20C to 60C with appropriate heat tracing or insulation provided if installing outside of these limits for extended periods.

6.9.2 Toxic/ High Humidity considerations

Housing of PAS Smart transmitters is protected from direct exposure to moisture or toxic materials provided front and rear covers are engaged fully with appropriate O-rings included. Electronic circuits are separated from terminal side; however it must be protected from moisture ingress entering housing through conduit lines. To avoid moisture build up, use appropriate water tight sealants on conduits entries and ensure correct positioning of conduit pipes to avoid condensation build up from occurring inside the terminal housing.

6.9.3 Installation in Hazardous locations

Transmitter Housing is designed to meet explosion proof protection requirements, if marked accordingly. When installing transmitter inside a hazardous classified area please ensure all required explosion proof installation & wiring requirements outside of the transmitter as stated by relevant regulatory bodies are also complied with.

7. On-line Operation

7.1 Overview

This chapter describes configuration functions of PAS smart pressure Transmitter. Transmitter can be configured in either On-Line or Off-Line mode. In On-Line configuration mode, you must connect through an external HHT (Hand Held Terminal) supporting HART[®] DDL technologies. When connecting in Multi-drop mode ensure each device on the HART[®] bus is provided with a unique HART[®] device ID for identification.

7.2 Safety Message

For safety of operator please pay specific attention to safety note identified under Warning symbol (▲).

7.2.1 Warning

▲ Warning
Explosion can result in death or serious injury: <ul style="list-style-type: none">❖ Do not remove the transmitter covers in hazardous areas when the circuit is live.❖ Before connecting HHT in a classified zone, check that the configuration device connecting to transmitter also complies to required safety regulations.❖ Both transmitter covers must be fully engaged to meet explosion proof certification requirements

7.2.2 Multidrop Mode

In the case of multidrop mode where current loop is set at 4 mA the current loop must be set to passive mode. This is set automatically when changing the HART[®] device ID to a numeric value 1 to 15 (except 0).

7.3 Configuration Data Review

In case transmitter is already installed on site, review configuration data to reconfirm it meets the application requirements.

7.4 Check Output

Transmitter is provided with a Loop Test function (accessible only via an HHT) under service/ maintenance menu which can be used to output desired values 4, 8, 12, 16, 20 mA for testing current outputs.

7.4.1 Process Variable

The PAS Smart pressure transmitter measures two variables. Primary Variable is always the process pressure measured and SV (Secondary Variable) is the temperature.



Note: Temperature measured is used strictly for internal compensation. Only PV value can be assigned to current output on a 4~20mA loop. However in digital mode both PV and SV can be read through a compatible HART® communicating device.

7.5 Basic Setup

This involves configuring minimal settings required to operate transmitter correctly.

7.5.1 Select Sensor Range

This value is automatically set from factory based on the sensor Range code installed on the transmitter. This Range defines the minimum/ maximum range limits and span settings for installed sensor which should not be exceeded for normal operation or during re-ranging or Zero/ Span configuration.

7.5.2 Set Output Units (Measurement)

Select required measurement units e.g. kPa, kg/cm², bar, psi, mmH₂O etc.



Note: This is different to engineering mode unit as settings configured under this menu affect only the transmitter current 4/20mA output configuration. In normal LCD mode these units are indicated on LCD module.

7.5.3 Rerange

Set the Zero and Span of 4~20 mA analogue output.

7.6 Detailed Setup

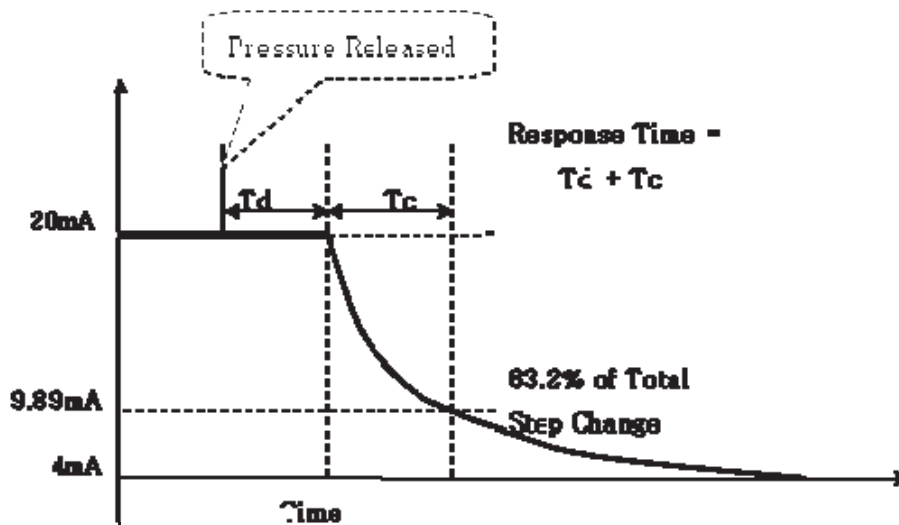
7.6.1 Set Fail Mode

Sets failure mode (fail down or fail up) for 4/20mA outputs in case of an error or malfunction detected automatically during self diagnostic routine included within the transmitter.

7.6.2 Set Damping Time

Determine the appropriate damping setting based on the required response time, signal stability and other requirements of the loop dynamics of your system. The default damping value is 1.0 seconds, and can be reset to damping values between 0 and 60 seconds.

[Graph illustrating Damping/ Response time features]



7.7 Tag Information set up

7.7.1 Set Tag

Set tag information to uniquely classify transmitter. Tag information is limited to max of 8 alpha-numeric characters. For additional description use Set Message option under 7.7.2.

7.7.2 Set Messages

When using several transmitters, user may classify each transmitter by using 32 alpha-numeric characters. This message is saved in EEPROM of transmitter.

7.8 Diagnostics and Services

7.8.1 Loop Test

The Loop Test verifies the output of the transmitter, the integrity of the loop, and the operations of any recorders or similar devices installed loop. Perform the following procedure for a loop test.

1. Connect a reference meter to the transmitter.
2. Select the Loop Test of HHT and operate the Loop Test.
3. Select output current (4 mA / 20 mA / etc)
4. If the readings match, then the transmitter and the loop are configured and functioning properly. If the readings do not match, then you may have the current meter attached to the wrong loop, there may be a fault in the wiring, the transmitter may require an output trim, or the electrical current meter may be malfunctioning.

7.9 Calibration

Re-Ranging scales the upper and lower ranges of transmitter outputs and does not affect the stored calibration data of the transmitter. On the other hand a Sensor Trim function can be used to tune/modify the stored calibration. It is important to keep in mind that Smart transmitters operate differently from conventional analogue transmitters. A Smart transmitter uses a microprocessor that contains information about the sensor's specific characteristics in response to pressure and temperature inputs which is what is used for calculating final PV (Process Variable). These calibration curves are performed under traceable laboratory standards and stringent quality control parameters. Changing factory calibration data is advisable only if it is necessary to correct transmitter offsets and only when checking against a traceable calibration source which is at least five times more accurate than the transmitter under test. As such a Sensor trim and Output Re-range function differ. Re-ranging sets the transmitter analogue output to the selected upper and lower range points and can be done with or without an applied pressure. Re-ranging does not change the factory characterization curve stored in the microprocessor. Sensor trimming requires an accurate pressure input and adds additional compensation that adjusts the position of the factory characterization curve to optimize transmitter performance over a specific pressure range.

7.9.1 Sensor Trim

The Sensor trim function adjusts the A/D signal conversion within the transmitter sensor electronics and determines how it digitally interprets any pressure changes applied to the sensor inputs. It is highly recommended to perform a sensor trim when first commissioning the transmitter on site. There are three ways to trim the sensor: Sensor zero trim, full trim and zero adjustment.

Sensor zero trim is a one-point adjustment typically used to compensate for the mounting position.

Two point trim is a full sensor trim, in which two accurate pressures with difference within the published sensor span specifications for the specific range codes are applied (equal to or greater than the range values), and the output is set to linear. You should always adjust the low trim value first to establish the correct offset.

Zero adjustment allows user to add a pre-defined offset (other than zero) to measured PV that may be required on certain applications such as Level measurements to compensate for nozzle placements.

7.9.2 DA (Digital to Analogue) Trim

The Sensor Trim functions adjust the calibration values of the PV applied to sensor (on input side only), however a D/A trim adjusts sensor input to match the 4~20mA current output. When executing a D/A trim the current output can be adjusted minutely to match desired current values outputted from the transmitter. To perform a D/A Trim a precise and traceable reference current meter is required to be connected on the output loop. When performing a D/A trim avoid using TEST pin and try to install reference meter directly in series in output loop to eliminate any undesirable offsets. Here again make sure that reference meter used for D/A trim is 5 times more accurate than published accuracy specs. of the transmitter. When performing a D/A trim it is recommended to do a minimum of two points i.e. trim at (4 mA) and (20 mA). It may however be necessary to perform repeated trims at both 4/20 mA to achieve optimum results.

7.10 Advance Set Up:

(Needs a HART® enabled HHT and/ or PC configurators)

8. Maintenance

8.1 Overview

This chapter describes breakdown diagnostic and maintenance.

8.2 Safety Message

When in operation, special notice is required for the safety of operator. Information that raises potential safety issues is indicated by a warning symbol(▲). Refer to the following safety messages before performing an operation proceeded by this symbol.

8.2.1 Warning

▲ Warning
Explosion can result in death or serious injury: ❖ Do not remove the transmitter covers in hazardous locations when the circuit is live. ❖ Transmitter covers must be fully engaged to meet explosion proof approval requirements.

▲ Warning
Electrical shock can result in death or serious injury. If you install transmitter around a high voltage environment e.g. power lines there may be a very high likelihood of high voltages induced on to the signal lines. ❖ Avoid direct contact with the signal leads and terminals to avoid potential electrocution.

▲ Warning
Process leaks can cause death or serious injury: ❖ Install and tighten before applying pressure. Inspect regularly for process leaks.

▲ Warning
Electrical can result in death serious injury: ❖ Only qualified and trained personnel should be allowed to operate these transmitters.

▲ Warning
❖ Instrument installed in the process is under pressure. Never loosen or tighten the flange bolts as it may cause leakage of process fluid. ❖ If the process fluid may be toxic or otherwise harmful, take appropriate care to avoid contact and/ or exposure to direct vapors even after dismounting the instrument from process line for maintenance.

8.3 Hardware Diagnostics

If you suspect a malfunction despite the absence of any diagnostic messages on the HHT follow Table 8-1 described here to verify that transmitter hardware and process connections are in good working order.

[Table 8-1 Troubleshooting]

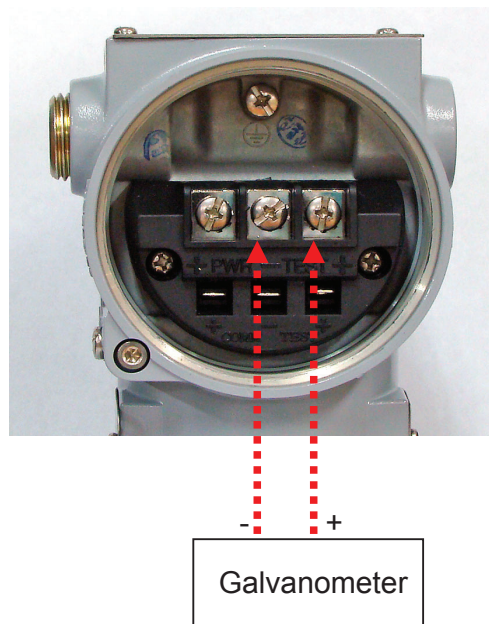
Symptom	Potential Source	Corrective Action
Transmitter Does not Communicate With HART Communicator	Loop Wiring	<ul style="list-style-type: none"> • Check for a minimum of 250 ohms resistance between the power supply and HHT. • Check for adequate voltage to the transmitter. The transmitter always requires 11.9 ~ 45 V_{DC}. • Check for intermittent shorts, open circuits, and multiple grounds.
High Output	Sensor Input Failure	<ul style="list-style-type: none"> • Connect HHT and enter the Transmitter test mode to isolate a sensor failure.
	Loop Wiring	<ul style="list-style-type: none"> • Check for dirty or defective terminals, interconnecting pins, or receptacles.
	Power Supply	<ul style="list-style-type: none"> • Check the output voltage of the power supply at the transmitter terminals. It should be 11.9 to 45 V_{DC} in spite of loop scale.
	Electronics Module	<ul style="list-style-type: none"> • Connect HHT and enter the Transmitter test mode to isolate module failure. Check the sensor limits to ensure calibration adjustments are within the sensor range.
Erratic Output	Loop Wiring	<ul style="list-style-type: none"> • Check the output voltage of the power supply at the transmitter terminals. It should be 11.9 to 45 V_{DC}. • Check for intermittent shorts, open circuits, and multiple grounds. • Check for proper polarity at the signal terminals. • In case of measuring electric current while digital communication, current should be around +0.013 mA
	Electronics Module	<ul style="list-style-type: none"> • Connect HHT and enter the Transmitter test mode to isolate an electronics mode failure.
Low Output or No Output	Sensor Element	<ul style="list-style-type: none"> • Connect HHT and enter the Transmitter test mode to isolate a sensor failure. • Check the PV to see if it is out of range.
	Loop Wiring	<ul style="list-style-type: none"> • Check for adequate voltage to the transmitter. The transmitter always requires 11.9 ~ 45 V_{DC}. • Check for intermittent shorts, open circuits, and multiple grounds. • Check polarity of signal terminal • Check the loop impedance.
	Electronics Module	<ul style="list-style-type: none"> • Connect HHT and check the sensor limits to ensure calibration adjustments are within the sensor range.

8.4 Hardware Maintenance

KOBOLD PAS Smart Transmitters have no moving parts and require a minimum of scheduled maintenance. Both transmitters feature modular design for easy maintenance. If you suspect a malfunction, check for an external cause before performing the diagnostics as discussed later in this section. If you must return failed transmitters or parts, send them to KOBOLD Instruments Inc. for inspection, repair, or replacement.

8.4.1 Test Terminals

The test terminal is clearly marked as TEST on the terminal block behind the rear cover. The test and negative terminals are connected internally via a diode. As long as the voltage across these terminals is kept below the diode threshold voltage, no current passes through the diode. To ensure that there is no leakage current through the diode while making a test reading, or while an indicating meter is connected, the resistance of the test connection or meter should not exceed 10 ohms. A resistance value of 30 ohms will cause an error of approximately 10 percent of reading.



[Figure 8.1 Test Terminals]

8.4.2 Disassembling the Electronics Housing

The transmitter is designed with dual-compartment housing; one contains the electronics module, and the other contains all wiring terminals and the communication receptacles.

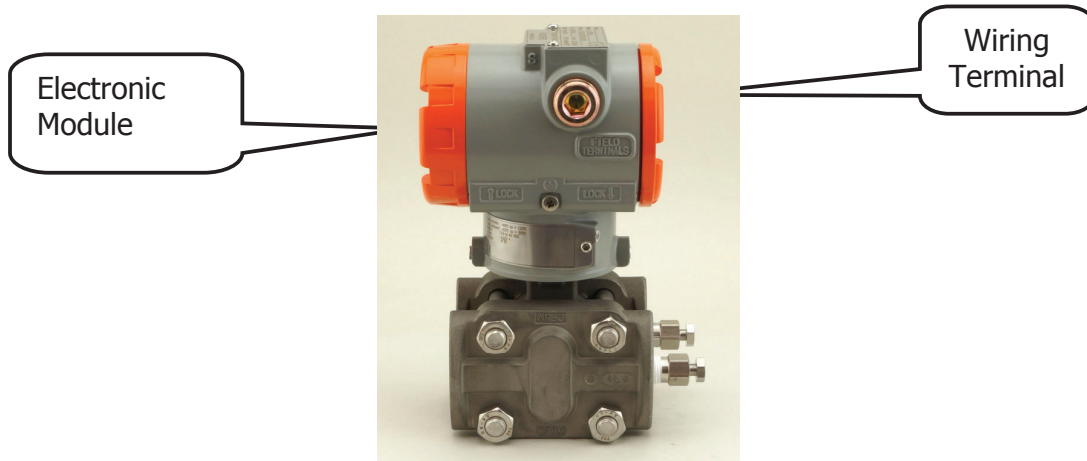


Figure 8.2 Structure of Housing

8.4.2.1 Disassembling Electronics Module

Use the following procedure to remove the electronics module.



Note1: The electronics module Board comes standard with conformal coating for added protection in tropicalized environments. These modules are designed as non-repairable units. If a malfunction does occur the entire unit must be replaced.

1. Disconnect the power to the transmitter. Remove the cover from the electronics side of the transmitter housing (Figure 8.2).
2. Do not remove the instrument cover in explosive atmospheres when the circuit is alive.
3. Remove the LCD meter by first disconnecting the screws and then pulling out the LCD module from the plug in connector located behind the module.
4. Remove the two screws that anchor the electronics module to the transmitter housing.
5. Remove the analogue sensor cable & power cables from their plug in connectors.
6. Firmly grasp the electronics module and pull it straight out of the housing, taking care not to damage the interconnecting pins.



Note2: The transmitter EEP-Write Enable and failure mode jumpers are located on the front of the electronics module. When replacing with a new one make sure to duplicate the same jumper settings on the replacement board.

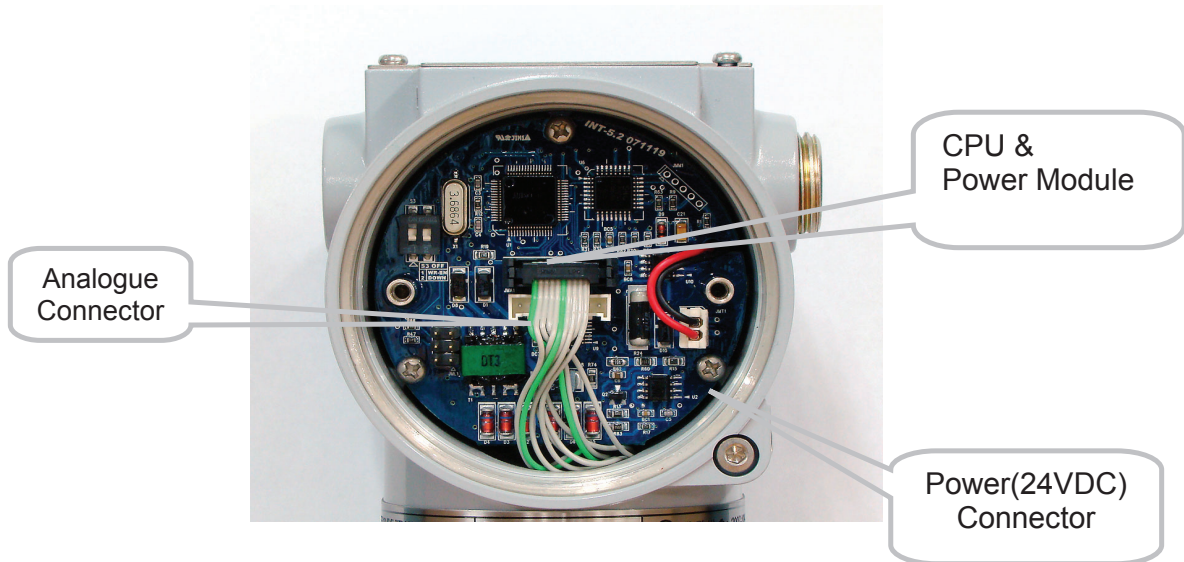


Figure 8.3 Structure of Electronics Module inner Transmitter

8.4.2.2 Fail Mode and Jumper Switch of EEPROM-write

Fail-mode and jumper switch of EEPROM-write are located front of electronics module (Refer to Figures 5-3, 5-4)

8.4.3 Assembling the Electronics Housing

Re-assembling procedure is as follows:-

1. Make sure that Fail-mode and Jumper Switch are set exactly as the electronics board being replaced.
2. Insert electronics module into housing Connect back the cable connectors of analog sensor board and power.



Note: An improper connection on either connector can cause wrong outputs and/ or effect power to the transmitter. Also make sure neither of the connector cables are pinched or twisted between the electronics board and transmitter housing.

3. Anchor electronics module with the 3 screws.
4. Attach LCD module making sure plug in connectors are installed correctly on appropriate mating connectors on the electronics board.
5. Secure LCD module with the screws provided.
6. Close the front cover of housing. For explosion proof rated transmitters ensure covers are fully engaged and O-Ring seal is securely in place.
7. Power on the transmitter and note the start up screen/ boot sequence.
8. If all self checks are completed and found OK, the transmitter will enter measurement mode automatically.
9. If any errors are found, same will be displayed on LCD. Follow the troubleshooting guide included in this manual to help identify and correct any fault conditions.

9. Appendix I

PAS SMART PRESSURE TRANSMITTER LCD DISPLAY CODE

Message	Description	Remarks
ADJ-U	Out of Zero setting value when Zero Adj function using button(Upper side)	
ADJ-L	Out of Zero setting value when Zero Adj function using button(Lower side)	
ZERO	Innitial message in using Zero button	
SPAN	Innitial message in using Span button	
BT-ERR	Button input Sequence error	
P-LOCK	Button input error when Protect Locked	
ZT-ERR	Setting Limit(10%) Error when Zero Trim	
-TR-	Zero Trim Done	
ZR-ERR	Setting Limit error when executing Zero button function	
SP-ERR	Setting Limit error when executing Span button function	
-ZR-	Zero button function done	
-SP-	Span button function done	
-ZA-	Zero Adjustment done	
-DONE-	Setting Done using button	
RNGOVR	Setting Limit error when executing other setting function	
LCD_OV	Over figure values for LCD	
SCD-ER	Sensor Code Error	
F-RST	Flash Setting Data Reset	
F-LOCK	While Flash Setting Data Reset, Protect Locked	
F-FAIL	Flash Setting Data Reset Failure	
-FR-	Flash Reset Done	
A-RST	Analog EEPROM Initializing Start	
A-STOR	Analog EEPROM Whole Write	
A-FAIL	Analog EEPROM Whole Write Failure	

Message	Description	Remarks
-AC-	Analog EEPROM Whole Write Done	
S-FL	Sensor Fail	
S-OP	Sensor Overpressure	
AEP-RF	Analog EEPROM read check sum error	
TS-FL	Temperature Sensor Error	
AEP-WF	Analog EEPROM write fail	
EOSC	Crystal Element Defect Alarm	
FAVE	Flash Access Violation	
NOR_RO	Indicating the value with PV, %, mA units as continually on LCD	
NOR_PV	Indicating measured PV value only on LCD	
NOR_%	Indicating percentage of Cal. Range of measuring PV value on LCD	
NOR_mA	Indicating 4 ~ 20 mA value depending on measured PV value on LCD	
ENG_RO	Indicating the value with Engineering PV, Engineering %, Engineering mA units as continually on LCD	
ENG_PV	Indicating changed PV value with modified Engineering range	

10. EU Declaration of Conformance

We, KOBOLD Messring GmbH, Hofheim-Ts, Germany, declare under our sole responsibility that the product:

Smart Pressure Transmitter Model: PAS

to which this declaration relates is in conformity with the standards noted below:

EN 61326-1:2013 Electrical equipment for measurement, control and laboratory use - EMC requirements - Part 1: General requirements

EN 61326-2-2:2013 Electrical equipment for measurement, control and laboratory use - EMC requirements - Part 2-2: Particular requirements - Test configurations, operational conditions and performance criteria for portable test, measuring and monitoring equipment used in low-voltage distribution systems

EN 62321:2008 Electrotechnical products - Determination of levels of six regulated substances (lead, mercury, cadmium, hexavalent chromium, polybrominated biphenyls, polybrominated diphenyl ethers)

EN 50581:2012 Technical documentation for the assessment of electrical and electronic products with respect to the restriction of hazardous substances

Also the following EC guidelines are fulfilled:

2014/30/EU EMC Directive

Kobold Messring GmbH recommends customer to apply the Metal Conduit Wiring or to upset the twisted pair Shield Cable for signal wiring to conform the requirement of EMC Regulation, when customer installs Kobold Series Transmitters to the plant.

2011/65/EU RoHS

Additional for PAS...F0...

2014/34/EU Equipment and Protective systems intended for use in a potentially explosive atmosphere

Quality Management Production

Certificate number: BVS 18 ATEX ZQS/E110
Notified body: DEKRA EXAM GmbH
Identification number: 0158

Harmonized standards: EN 60079-0:2012 + A11:2013
EN 60079-1:2007

Notified body: KEMA Quality B.V.
Ex marking:  II 2 G Ex d IIC T6...T4 Gb


Additional for PAD...E0...

2014/34/EU Equipment and protective systems intended for use in a potentially explosive atmosphere

Quality Management Production

Certificate number: BVS 18 ATEX ZQS/E110
Notified body: DEKRA EXAM GmbH
Identification number: 0158

Harmonized standards: EN 60079-0:2009
EN 60079-11:2007
EN 60079-26:2007

Notified body: DEKRA Certification B.V.
Ex marking:  II 1 G or 2 G Ex ia IIC T5 or T4 Ga or Gb



H. Peters
General Manager



M. Wenzel
Proxy Holder

Hofheim, 31. Oct. 2018

11. EU Type Examination Ex d



CERTIFICATE

- (1) **EU-Type Examination**
- (2) **Equipment or protective systems intended for use in potentially explosive atmospheres - Directive 2014/34/EU**
- (3) EU-Type Examination Certificate Number: **KEMA 10ATEX0141 X** Issue Number: **2**
- (4) Product: **Pressure Transmitter Series PAD and PAS**
- (5) Manufacturer: **Kobold Messing GmbH**
- (6) Address: **Nordring 22-24, 65719 Hofheim, Germany**
- (7) This product and any acceptable variation thereto is specified in the schedule to this certificate and the documents therein referred to.
- (8) DEKRA Certification B.V., Notified Body number 0344 in accordance with Article 17 of Directive 2014/34/EU of the European Parliament and of the Council, dated 26 February 2014, certifies that this product has been found to comply with the Essential Health and Safety Requirements relating to the design and construction of products intended for use in potentially explosive atmospheres given in Annex II to the Directive.
The examination and test results are recorded in confidential test report number 213610600 iss. 2.
- (9) Compliance with the Essential Health and Safety Requirements has been assured by compliance with:
EN 60079-0 : 2012 + A11 : 2013 **EN 60079-1 : 2007**
except in respect of those requirements listed at item 18 of the Schedule.
- (10) If the sign "X" is placed after the certificate number, it indicates that the product is subject to the Specific Conditions of Use specified in the schedule to this certificate.
- (11) This EU-Type Examination Certificate relates only to the design and construction of the specified product. Further requirements of the Directive apply to the manufacturing process and supply of this product. These are not covered by this certificate.
- (12) The marking of the product shall include the following:



II 2 G Ex d IIC T6...T4 Gb

Date of certification: 28 March 2017

DEKRA Certification B.V.


R. Schuller
 Certification Manager

Page 1/2



Integral publication of this certificate and adjoining reports is allowed. This Certificate may only be reproduced in its entirety and without any change.

DEKRA Certification B.V. Meander 1051, 6825 MJ Arnhem P.O. Box 5185, 6802 ED Arnhem The Netherlands
 T +31 88 96 83000 F +31 88 96 83100 www.dekra-certification.com Registered Arnhem 09085396



(13) **SCHEDULE**

(14) **to EU-Type Examination Certificate KEMA 10ATEX0141 X** Issue No. 2

(15) **Description**

The Pressure Transmitter Series PAD and PAS measures the pressure of a process and converts it into an electrical 4 - 20 mA analog current signal with digital communication (HART protocol).

Ambient temperature range: -20 °C to +60 °C
Process temperature: -20 °C to +85 °C for T6
-20 °C to +100 °C for T5
-20 °C to +130 °C for T4

Electrical data

Supply: 11,9 to 42 Vdc
Output: 4 - 20 mA

Installation instructions

The instructions provided with the product shall be followed in detail to assure safe operation.

(16) **Report Number**

No. 213610600 iss. 2.

(17) **Specific conditions of use**

For information regarding the dimensions of the flameproof joints the manufacturer shall be contacted.

(18) **Essential Health and Safety Requirements**

Covered by the standards listed at item (9).

(19) **Test documentation**

As listed in Report No. 213610600 iss. 2.

(20) **Certificate history**

Issue 1 - 213610600 initial certificate
Issue 2 - 221519800 Assesment according to EN 60079-0 : 2012 + A11 and EN 60079-1:2007

12. EU Type Examination Ex ia



CERTIFICATE

(1) EU-Type Examination

(2) **Equipment or protective systems intended for use in potentially explosive atmospheres - Directive 2014/34/EU**

(3) EU-Type Examination Certificate Number: **DEKRA 18ATEX0092 X** Issue Number: **0**

(4) Product: **Smart Pressure Transmitter Series PAD and PAS**

(5) Manufacturer: **Kobold Messring GmbH**

(6) Address: **Nordring 22-24, 65719 Hofheim, Germany**

(7) This product and any acceptable variation thereto is specified in the schedule to this certificate and the documents therein referred to.

(8) DEKRA Certification B.V., Notified Body number 0344 in accordance with Article 17 of Directive 2014/34/EU of the European Parliament and of the Council, dated 26 February 2014, certifies that this product has been found to comply with the Essential Health and Safety Requirements relating to the design and construction of products intended for use in potentially explosive atmospheres given in Annex II to the Directive.

The examination and test results are recorded in confidential test report number 223118100 issue 0.

(9) Compliance with the Essential Health and Safety Requirements has been assured by compliance with:
EN 60079-0 : 2009 EN 60079-11 : 2007 EN 60079-26 : 2007
except in respect of those requirements listed at item 18 of the Schedule.

(10) If the sign "X" is placed after the certificate number, it indicates that the product is subject to the Specific Conditions of Use specified in the schedule to this certificate.

(11) This EU-Type Examination Certificate relates only to the design and construction of the specified product. Further requirements of the Directive apply to the manufacturing process and supply of this product. These are not covered by this certificate.

(12) The marking of the product shall include the following:



II 1 G or 2 G Ex ia IIC T5 or T4 Ga or Gb

Date of certification: 26 October 2018

DEKRA Certification B.V.

L.G. van Schie
Certification Manager

Page 1/2



© Integral publication of this certificate and adjoining reports is allowed. This Certificate may only be reproduced in its entirety and without any change.

DEKRA Certification B.V. Meander 1051, 6825 MJ Arnhem P.O. Box 5185, 6802 ED Arnhem The Netherlands
T +31 88 96 83000 F +31 88 96 83100 www.dekra-certification.com Registered Arnhem 09085396



(13) **SCHEDULE**

(14) **to EU-Type Examination Certificate DEKRA 18ATEX0092 X** Issue No. 0

(15) **Description**

The Smart Pressure Transmitter Series PAD and PAS are used to measure and convert differential (Series PAD only), gauge and absolute pressures into a 4-20 mA HART signal. Optionally an analog board and a LCD display can be provided.

Ambient temperature ranges:

- For T5: -30 °C to +40 °C
- For T4: -30 °C to +80 °C

Electrical data

Power supply and output circuit (terminals PWR + and -): in type of protection intrinsic safety Ex ia IIC, only for connection to a certified intrinsically safe circuit, with the following maximum values: $U_i = 30 \text{ V}$, $I_i = 200 \text{ mA}$, $P_i = 0,9 \text{ W}$, $C_i = 27 \text{ nF}$, $L_i = 104 \text{ }\mu\text{H}$.

Installation instructions

The instructions provided with the product shall be followed in detail to assure safe operation.

(16) **Report Number**

No. 223118100 issue 0.

(17) **Specific conditions of use**

The non-metallic parts incorporated in the enclosure of this equipment may generate an ignition capable level of electrostatic charge. Therefore particularly when it is used for applications that specifically require Group IIC, EPL Ga equipment, the equipment shall not be installed in a location where the external conditions can result in the build-up of electrostatic charge on such surfaces. Additionally, the equipment shall only be cleaned with a damp cloth.

Models with enclosures made of aluminium (ASTM B85) are considered to present a potential risk of ignition by impact or friction. Care must be taken during installation and use to prevent impact or friction. Particularly, it must not be used for applications that specifically require EPL Ga equipment.

The insulation between the intrinsically safe circuit and the frame of the equipment is not capable of withstanding a 500 V dielectric strength test as defined in clause 6.3.12 of EN 60079-11 : 2007. This shall be taken into account during installation.

(18) **Essential Health and Safety Requirements**

Covered by the standards listed at item (9).

(19) **Test documentation**

As listed in Report No. 223118100 issue 0.

(20) **Certificate history**

Issue 0 - 223118100 initial certificate

Page 2/2

Form 227A
Version 1 (2016-04)