

Quad4 Pneumatic Actuator

High Performance Four Piston Pneumatic Actuator

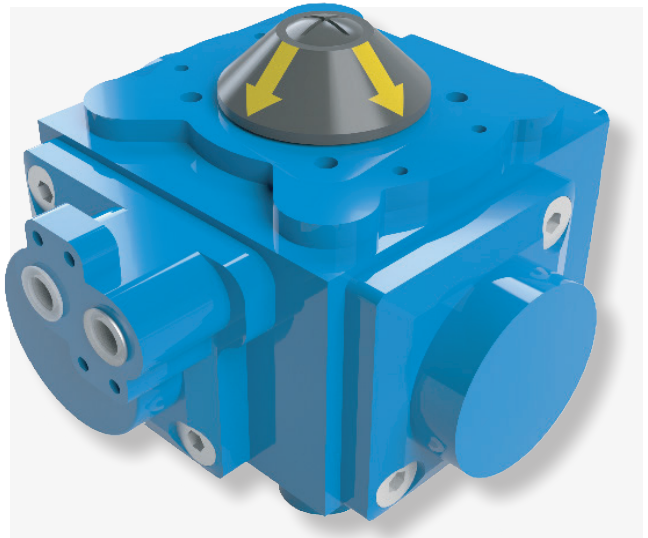


The SVF "Quad 4" quarter-turn rack & pinion actuator is a four piston actuator which generates torque around a centrally located pinion, giving more than double the torque of single & double rack & pinion actuator designs. The increased number of pistons allows their diameter to be reduced while maintaining its high torque, allowing the reduced size of the actuator.



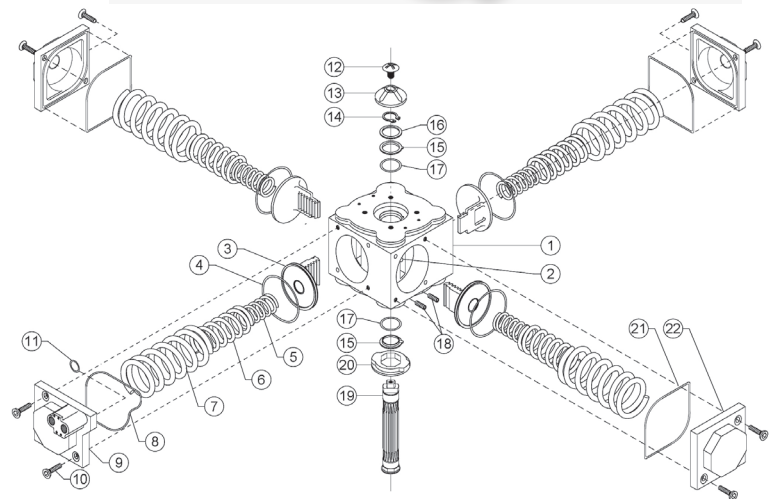
QUAD4 DESIGN FEATURES

- ✓ Bi-Directional Stroke Adjustment
- ✓ Internally anodized body for corrosion resistance
- ✓ Spring return covers with extended screws for safe release of springs
- ✓ ISO 5211 bottom flange for valve automation
- ✓ NAMUR output drive for installation of limit switches and positioners
- ✓ Available in Spring Return and Double Acting models
- ✓ NAMUR Interface for mounting of solenoid valve



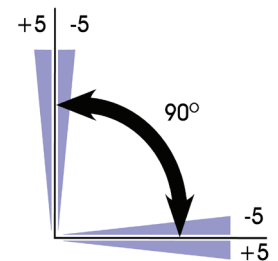
MATERIALS OF CONSTRUCTION

ITEM	DESCRIPTION	MATERIALS SPECIFICATIONS
1	Body	AL 356-T6
2	Pad	POM (Plastic)
3	Piston	AL 356
4	Piston O-Ring	Buna "N" (Standard), Viton
5	Inner Spring	Spring Steel
6	Middle Spring	Spring Steel
7	Outer Spring	Spring Steel
8	NAMUR Cover O-Ring	Buna "N", Viton
9	NAMUR Cover	AL 356
10	Cover Screw	Stainless Steel
11	Air Supply O-Ring	Buna "N", Viton
12	Indicator Screw	Stainless Steel
13	Indicator	Plastic (ABS)
14	Circlip/Snap Ring	Stainless Steel
15	Thrust Washer	POM (plastic)
16	Bearing	POM (Plastic)
17	Pinion O-Ring	Buna "N", Viton
18	Stroke Adjustment Screw	Stainless Steel
19	Cover O-Ring	Buna "N", Viton
20	Stroke Adjustment Stop	Stainless Steel
21	Cover O-Ring	Buna "N", Viton
22	Spring Return Cover	Q15-Q35: AL 356 Q45-Q75: AL 380
#19 (Pinion) has a Nickel Chemical Coating		



BI-DIRECTIONAL STROKE ADJUSTMENT

Quad 4 actuators feature bi-directional pinion travel stops. These stops allow for true $\pm 5^\circ$ for valve travel adjustment to ensure precise positioning in all flow control services. The Quad 4 travel stops are designed to absorb the maximum rated torque of the actuator and the maximum impact loads associated with the recommended stroke speed.



What do you need today?™



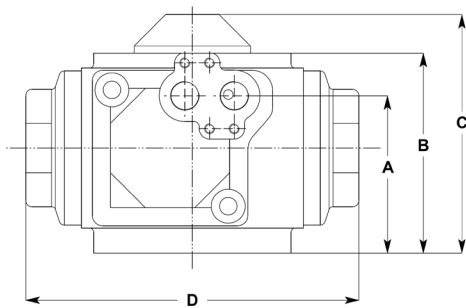
Quad4 Pneumatic Actuator

High Performance Four Piston Pneumatic Actuator

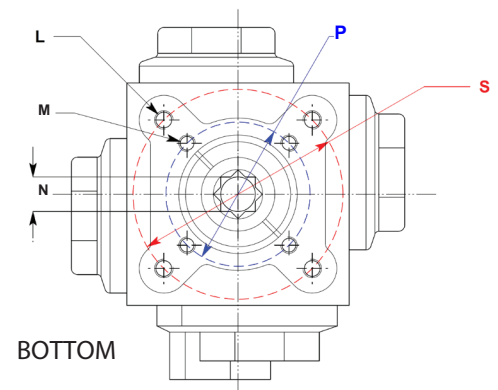
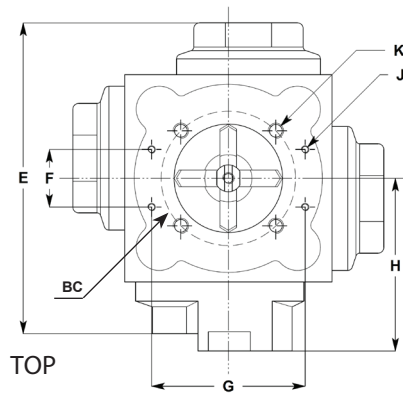
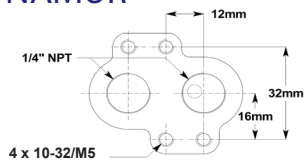


QUAD4 DIMENSIONS

Model	A		B		C		D		E		F		G		BC	H	
	in.	mm.	in.	mm.	in.	mm.	in.	mm.	in.	mm.	in.	mm.	in.	mm.	ISO	in.	mm.
Q15	2.05	52	2.76	70	3.54	90	4.45	113	4.45	113	-	-	-	-	F05	2.62	67
Q20	2.45	62	3.17	81	3.96	101	5.16	131	5.16	131	1.18	30	3.15	80	F05	3.04	77
Q25	3.01	76	3.83	97	4.61	117	6.38	162	6.38	162	1.18	30	3.15	80	F07	3.54	90
Q30	3.69	94	4.59	117	5.38	137	7.36	187	7.36	187	1.18	30	3.15	80	F07	4.13	105
Q35	4.09	104	5.34	136	6.13	156	8.78	223	8.78	223	1.18	30	3.15	80	F10	4.76	121
Q45	5.04	128	6.46	164	7.24	184	10.75	273	10.75	273	1.18	30	3.15	80	F12	5.67	144
Q60	6.57	167	8.54	217	9.72	247	14.29	363	14.29	363	1.18	30	5.12	130	F14	7.15	182
Q75	8.24	209	10.51	267	11.69	297	17.09	434	17.09	434	1.18	30	5.12	130	F16	8.54	217



NAMUR



QUAD4 DIMENSIONS

Model	Thread Sizes				N		P			S			Weight	
	J	K	L	M	in.	mm.	in.	mm.	ISO	in.	mm.	ISO	lbs	kg
Q15	10-32/M5	1/4-20	5/16-18	1/4-20	0.35	9	1.97	50	F05	2.76	70	F07	2	1.1
Q20	10-32/M5	1/4-20	5/16-18	1/4-20	0.43	11	1.97	50	F05	2.76	70	F07	4	1.9
Q25	10-32/M5	5/16-18	3/8-16	5/16-18	0.55	14	2.76	70	F07	4.02	102	F10	8	3.5
Q30	10-32/M5	5/16-18	3/8-16	5/16-18	0.67	17	2.76	70	F07	4.02	102	F10	11	5.0
Q35	10-32/M5	3/8-16	3/8-16	-	0.87	22	-	-	-	4.02	102	F10	20	9.0
Q45	10-32/M5	1/2-13	1/2-13	-	1.06	27	4.02	102	F10	4.92	125	F12	33	15.0
Q60	10-32/M5	5/8-11	5/8-11	-	1.42	36	-	-	-	5.51	140	F14	77	35.1
Q75	10-32/M5	5/8-11	5/8-11	-	1.42	36	-	-	-	6.50	165	F16	141	64.1

Quad4 Pneumatic Actuator

High Performance Four Piston Pneumatic Actuator



QUAD4 SPRING RETURN TORQUE OUTPUT (in-lbf)

Model	Supply Pressure		Model	Supply Pressure	
	60 PSI Torque			80 PSI Torque	
QS151A	40		QS151B2	61	
QS202A	80		QS202B	85	
QS252AB	159		QS252C	217	
QS302AB	272		QS302A3	345	
QS352AB	434		QS352C	607	
QS452AB	862		QS452C	1,218	
QS602AB	1,931		QS602C	2,857	
QS752AB	3,495		QS752C	5,166	

QUAD4 DOUBLE ACTING TORQUE OUTPUT (in-lbf)

Model	Supply Pressure	
	60 PSI Torque	80 PSI Torque
QD15	124	172
QD20	229	311
QD25	476	639
QD30	769	1,052
QD35	1,382	1,848
QD45	2,719	3,622
QD60	6,436	8,585
QD75	11,893	15,856

How To Order Guide (Columns 1 thru 11)

Series	Model	Springs	Seals
QD = Double Acting	15	1A (QS15)	B = Buna (Standard - 5°F to 176°F / -15°C to 80°C) V = Viton (High Temperature -5°F to 300°F / -15°C to 150°C)
	20	1B2 (QS15)	
QS = Spring Return	25	2AB	
	30	2C	
	35		
	45		
	60		
	75		