



### Description & Features:

- Designed for continuous level measurement in water or wastewater (thin film)
- Good linearity for long term stability
- Available ranges up to 300 psi
- Wide range of mechanical and electrical connections
- $\pm 0.5\%$  accuracy
- NEMA 6P / IP68. Approved for outdoor use
- Customizable
- 1 year warranty

### Applications:

- Appropriate for all level and depth measurement applications including open tanks, ground water monitoring, sewage and water treatment facilities

### Specifications

<b>Output Signal</b>	Standard 2-wire: 4-20 mA / Vs = 8-32 Vdc Optional 3-wire: 0-20 mA / Vs = 14-30 Vdc 0-10 V / Vs = 14-30 Vdc
<b>Accuracy</b>	$\leq \pm 0.5\%$ FSO
<b>Permissible Load</b>	Current 2-wire: $R_{max} = [(V_s - V_s \text{ min}) / 0.02]$ Ohm Current 3-wire: $R_{max} = 500$ Ohm Voltage 3-wire: $R_{min} = 10$ kOhm
<b>Influence Effects</b>	Supply: 0.05% FSO / 10 V Load: 0.05% FSO / kOhm
<b>Response Time</b>	$\leq 10$ ms
<b>Thermal Error</b>	$\leq \pm 0.2\%$ FSO / 10K
<b>Permissible Temperatures</b>	Medium: 14°F to 158°F (-10°C to 70°C) Storage: -13°F to 158°F (-25°C to 70°C)
<b>Short Circuit Protection</b>	Permanent
<b>Reverse Polarity Protection</b>	No damage. No function.
<b>Electromagnetic Protection</b>	Emission and immunity according to EN 61326
<b>Connecting Cables</b>	Cable capacitance: Signal line/shield and signal line/signal line: 160 pF/m Cable inductance: Signal line/shield and signal line/signal line: 1 $\mu$ H/m
<b>Electrical Connection</b>	Cable with sheath material: PVC grey, PUR black, FEP black
<b>Pollution Degree</b>	4, electrical equipment for outdoor use
<b>Housing</b>	316L SS
<b>Seals</b>	FKM (Viton®, Kalrez®) / EPDM
<b>Diaphragm</b>	Ceramic Al <sub>2</sub> O <sub>3</sub> 96%
<b>Protection Cap</b>	POM
<b>Current Consumption</b>	Current: 25 mA max Voltage: 7 mA max
<b>Weight</b>	250 g (without cable)
<b>Enclosure Rating</b>	NEMA 6P / IP68
<b>CE Conformity</b>	EMC directive: 2004/108/EC

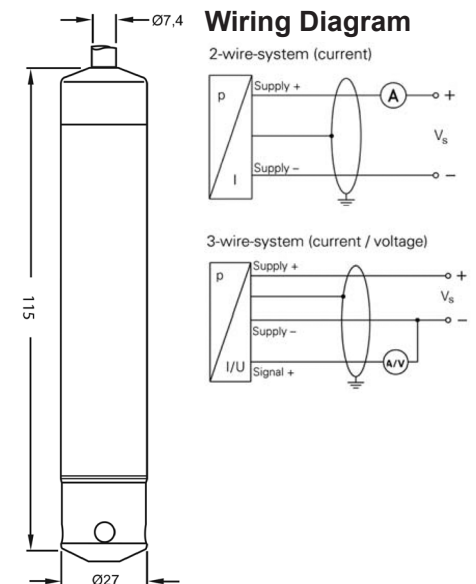
Kalrez® and Viton® are registered trademarks of DuPont Performance Elastomers

### Order Codes

Range	Over-pressure	Burst Pressure	Code
0/8 psi	9 psi	58 psi	LM7008
0/15 psi	29 psi	58 psi	LM7015
0/20 psi	58 psi	73 psi	LM7020
0/35 psi	58 psi	73 psi	LM7035
0/60 psi	145 psi	174 psi	LM7060
0/100 psi	145 psi	174 psi	LM7100
0/160 psi	290 psi	363 psi	LM7160
0/200 psi	580 psi	725 psi	LM7200
0/300 psi	580 psi	725 psi	LM7300

### Pin Configuration

Electrical Connection	Cable Colours (DIN 47100)
Supply +	White
Supply -	Brown
Signal + (only 3-wire)	Green
Shield	Yellow/green



Note: Measurements are in mm. Cable not included (specify type and length)