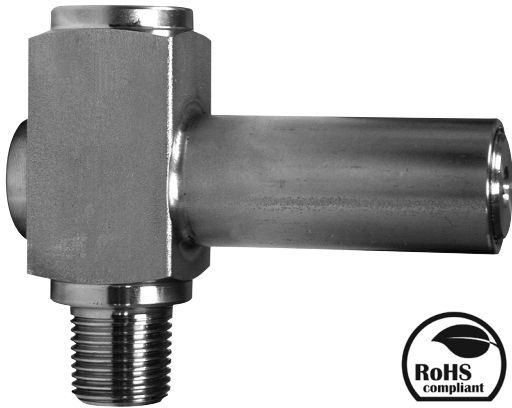


# SOP Over Pressure Protector



### Description & Features:

- Setpoint adjustments are made by manipulating an external adjusting screw and lock nut
- Automatically shuts off pressure to the instrument once the adjustable preset pressure is exceeded
- CRN registered
- 1 year warranty

### Applications:

- Utilized to protect pressure instruments against surges and pulsation
- Available in Bellows and Piston Type

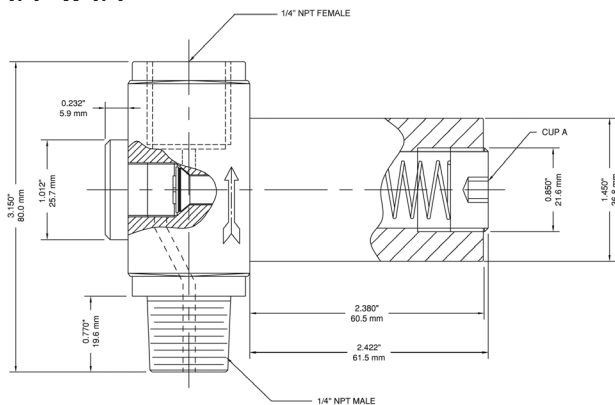
### Specifications

<b>Body</b>	Bellows Type: 316 SS Piston Type: 316 SS
<b>Gasket</b>	Viton®
<b>Maximum Operating Pressure</b>	10,000 psi
<b>Temperature Rating</b>	-40°F to 248°F (-40°C to 120°C)
<b>Connection</b>	1/4" NPTM x 1/4" NPTF or 1/2" NPTM x 1/2" NPTF

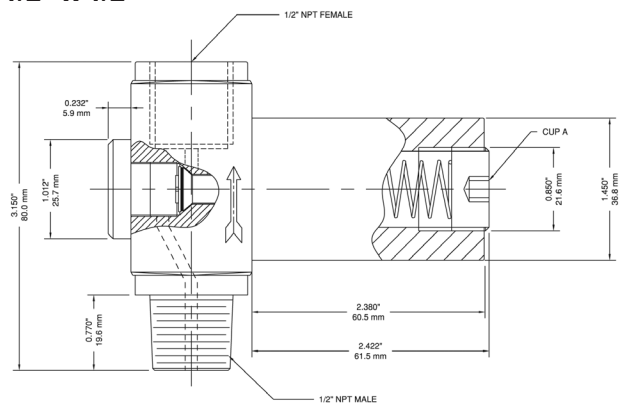
### Order Codes

Bellows Type				
Adjustable Pressure Range	Connection NPT			
	1/4" x 1/4"	1/2" x 1/2"	1/4" x 1/4" NACE	1/2" x 1/2" NACE
2.9 to 14.5 psi	SOP32025	SOP32050	SOP32025N	SOP32050N
14.5 to 58 psi	SOP159025	SOP159050	SOP159025N	SOP159050N
58 to 145 psi	SOP9023025	SOP9023050	SOP9023025N	SOP9023050N
Piston Type				
Adjustable Pressure Range	Connection NPT			
	1/4" x 1/4"	1/2" x 1/2"	1/4" x 1/4" NACE	1/2" x 1/2" NACE
145 to 580 psi	SOP14039525	SOP14039550	SOP14039525N	SOP14039550N
580 to 2,330 psi	SOP435116025	SOP435116050	SOP435116025N	SOP435116050N
2,320 to 5,800 psi	SOP1450580025	SOP1450580050	SOP1450580025N	SOP1450580050N

### 1/4" x 1/4"



### 1/2" x 1/2"



Viton® is a registered trademark of DuPont Performance Elastomers