

311D ALL STAINLESS STEEL LOWER MOUNT

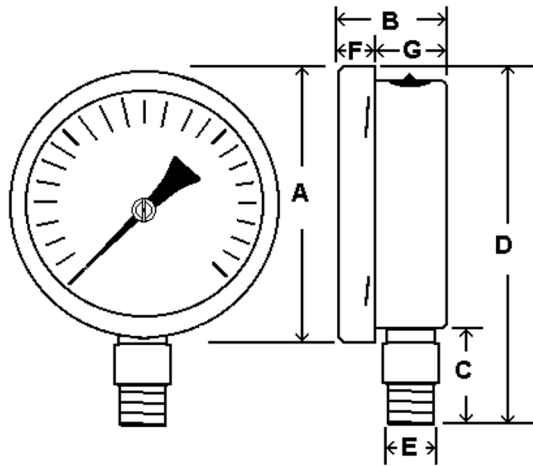


Heavy duty, all stainless steel gauge with removable bezel, adjustable pointer
1% accuracy, welded case-to-stem connection, dry yet fillable

SPECIFICATIONS

Dial	2 ½" (63 mm), 4" (100 mm) - See 4001 page 50 6" (150 mm) - See 6001 page 53 4 ½", 8" and 10" available special order
Case	Stainless steel, dry yet fillable Welded case-to-stem connection
Wetted Parts	316 stainless steel
Bezel	Removable, stainless steel
Lens	Laminated safety glass
Pointer	Adjustable, black aluminum
Connection	Lower mount 2 ½" dial = ¼" NPT
Scale	Standard: single scale psi
Accuracy	1% of span ASME B40.1 Grade 1A
Ambient Temp	Dry = -30° F to 180° F Glycerine Filled = 30° F to 160° F

Design meets or exceeds ASME B40.100 pressure gauge standard.



Dial	Unit	A	B	C	D	E	F	G
2 ½"	In.	2.75"	1.30"	0.91"	3.50"	¼"	0.51"	0.79"
	mm	70	33	23	89	NPT	13	20



3

AVAILABLE OPTIONS*

- Certificate of Accuracy, NIST traceable
- Custom Dial
- Liquid Fill Options, see page 173
- Anti-Vibration Movement, see page 107
- Cleaned for Oxygen Service (dry only)
- Special Connection Size
- Protective Rubber Cover, see page 119
- Plastic Lens
- Dual Scale
- Max/Min Pointer, see page 120

*Lead times/minimums may apply

APPROXIMATE SHIPPING WEIGHTS/ BOX QUANTITIES

Dial Size	Est. Unit Weight	Box Qty
2 ½"	0.35 lbs (0.16 kg)	50

NOTE: Because of continuing improvements, increments/specifications are subject to change without notice. Stock ranges vary by dial size and configuration. Consult PIC Gauges for availability.



312D ALL STAINLESS STEEL LOWER BACK MOUNT

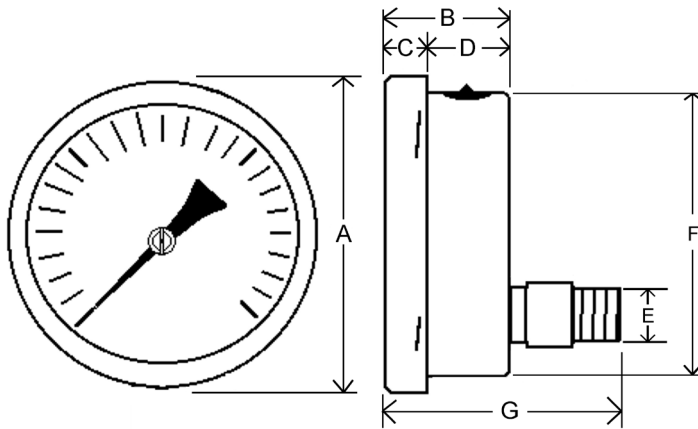
Heavy duty, all stainless steel gauge with removable bezel, adjustable pointer
1% accuracy, welded case-to-stem connection, dry yet fillable

SPECIFICATIONS

Dial	2 ½" (63 mm), 4" (100 mm) 6" (150 mm) - See 6002 page 54
Case	Stainless steel, dry yet fillable Welded case-to-stem connection
Wetted Parts	316 stainless steel
Bezel	Removable, stainless steel
Lens	Laminated safety glass
Pointer	Adjustable, black aluminum
Connection	Lower back mount 2 ½" dial = ¼" NPT 4" dial = ¼" or ½" NPT
Scale	Standard: single scale psi
Accuracy	1% of span ASME B40.1 Grade 1A
Ambient Temp	Dry = -30° F to 180° F Glycerine Filled = 30° F to 160° F



Design meets or exceeds ASME B40.100 pressure gauge standard.



Dial	Unit	A	B	C	D	E	F	G
2 ½"	In.	2.71"	1.26"	0.41"	0.85"	¼" NPT	2.47"	2.24"
	mm	69	32	10	22		63	57
4"	In.	4.00"	1.93"	0.71"	1.22"	¼" or ½" NPT	3.87"	3.39"
	mm	100	49	18	31		98	86

AVAILABLE OPTIONS*

- Certificate of Accuracy, NIST traceable
- Custom Dial
- Liquid Fill Options, see page 173
- Anti-Vibration Movement, see page 107
- Cleaned for Oxygen Service (dry only)
- Special Connection Size
- Protective Rubber Cover, see page 119
- Plastic Lens
- Dual Scale
- Max/Min Pointer, see page 120

*Lead times/minimums may apply

APPROXIMATE SHIPPING WEIGHTS/ BOX QUANTITIES

Dial Size	Est. Unit Weight	Box Qty
2 ½"	0.35 lbs (0.16 kg)	50
4"	1.10 lbs (0.50 kg)	8

NOTE: Because of continuing improvements, increments/specifications are subject to change without notice. Stock ranges vary by dial size and configuration. Consult PIC Gauges for availability.

313D ALL STAINLESS CLAMP-RING PANEL MOUNT



Heavy duty, all stainless steel gauge with removable bezel, adjustable pointer
1% accuracy, welded case-to-stem connection, dry yet fillable

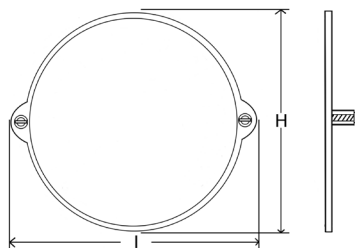
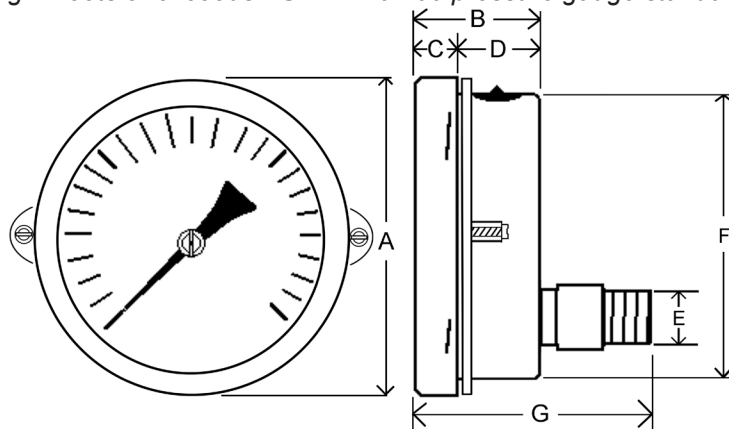
SPECIFICATIONS

Dial	2 1/2" (63 mm)
Case	Stainless steel, dry yet fillable Welded case-to-stem connection
Wetted Parts	316 stainless steel
Bezel	Removable, stainless steel
Lens	Laminated safety glass
Pointer	Adjustable, black aluminum
Connection	Lower back mount with clamp-ring 2 1/2" dial = 1/4" NPT
Scale	Standard: single scale psi
Accuracy	1% of span ASME B40.1 Grade 1A
Ambient Temp	Dry = -30° F to 180° F Glycerine Filled = 30° F to 160° F



3

Design meets or exceeds ASME B40.100 pressure gauge standard.



2.5" Clamp-Ring

Dial	Unit	A	B	C	D	E	F	G	H	I
2 1/2"	In.	2.71"	1.26"	0.41"	0.85"	1/4"	2.47"	2.24"	2.65"	3.23"
	mm	69	32	10	22	NPT	63	57	67	82

AVAILABLE OPTIONS*

- Certificate of Accuracy, NIST traceable
- Custom Dial
- Liquid Fill Options, see page 173
- Anti-Vibration Movement, see page 107
- Cleaned for Oxygen Service (dry only)
- Special Connection Size
- Plastic Lens
- Dual Scale
- Max/Min Pointer, see page 120

*Lead times/minimums may apply

APPROXIMATE SHIPPING WEIGHTS/ BOX QUANTITIES

Dial Size	Est. Unit Weight	Box Qty
2 1/2"	0.60 lbs (0.26 kg)	50

NOTE: Because of continuing improvements, increments/specifications are subject to change without notice. Stock ranges vary by dial size and configuration. Consult PIC Gauges for availability.



314D ALL STAINLESS STEEL FRONT FLANGE PANEL MOUNT

Heavy duty, all stainless steel gauge with removable bezel, adjustable pointer
1% accuracy, welded case-to-stem connection, dry yet fillable

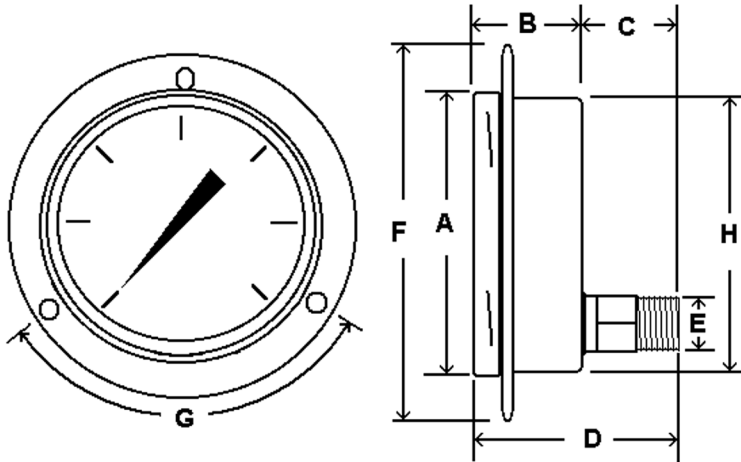
SPECIFICATIONS

Dial	2 1/2" (63 mm), 4" (100 mm), 6" (150 mm) - See 6004 page 55
Case	Stainless steel, dry yet fillable Welded case-to-stem connection
Wetted Parts	316 stainless steel
Bezel	Removable, stainless steel
Lens	Laminated safety glass
Pointer	Adjustable, black aluminum
Connection	Lower back mount with front flange 2 1/2" dial = 1/4" NPT 4" dial = 1/4" or 1/2" NPT
Scale	Standard: single scale psi
Accuracy	1% of span ASME B40.1 Grade 1A
Ambient Temp	Dry = -30° F to 180° F Glycerine Filled = 30° F to 160° F



3

Design meets or exceeds ASME B40.100 pressure gauge standard.



AVAILABLE OPTIONS*

- Certificate of Accuracy, NIST traceable
- Custom Dial
- Liquid Fill Options, see page 173
- Anti-Vibration Movement, see page 107
- Cleaned for Oxygen Service (dry only)
- Special Connection Size
- Plastic Lens
- Dual Scale
- Max/Min Pointer, see page 120

*Lead times/minimums may apply

APPROXIMATE SHIPPING WEIGHTS/ BOX QUANTITIES

Dial Size	Est. Unit Weight	Box Qty
2 1/2"	0.60 lbs (0.26 kg)	50
4"	1.20 lbs (0.54 kg)	8

Dial	Unit	A	B	C	D	E	F	H
2 1/2"	In.	2.71"	1.23"	1.00"	2.23"	1/4"	3.45"	2.45"
	mm	69	31	25	57	NPT	88	62
4"	In.	4.03"	1.97"	1.48"	3.45"	1/4" or	5.22"	3.86"
	mm	102	50	38	88	1/2"	133	98

G Dimensions (Screw Holes)

Dial	Arc	Unit	Distance from ctr	Size (oblong)
2 1/2"	120°	In.	1.58"	0.18" x 0.25"
		mm	40	4.5 x 6.5
4"	120°	In.	2.25"	0.18" (round)
		mm	57.3	4.5 (round)

For complete flange dimensions, see page 121.

NOTE: Because of continuing improvements, increments/specifications are subject to change without notice. Stock ranges vary by dial size and configuration. Consult PIC Gauges for availability.