

Product Features

- Regulated voltage output
- Dry contact, NPN or PNP input
- High power switching capacity
- LED for power and relay state

Description

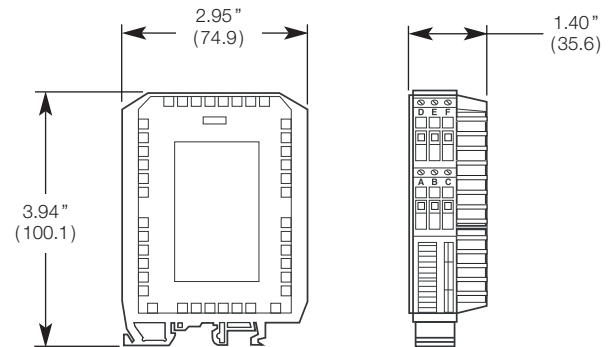
Protect your flow, level, pressure or temperature switch investment with a INTEMPCO power supply and relay. The RL-5920 can handle the large loads your primary switching device may not be able to handle. Additionally, it can act as a 12 or 24 VDC power supply. The ability to handle 10 amps at up to 230 VAC (resistive) gives the RL-5920 exceptional power switching capacity.

Technical Specifications

Output :	SPDT Relay, 10A@240VAC 8A@24VDC,
Input :	Dry contact, NPN or PNP open collector * For PNP configuration the output relay will be energized under normal conditions * Sink / Source current 15mA max.
Excitation :	12 or 24VDC ($\pm 2\%$) 120mA, regulated, fuse protected
Indicators :	LED Green - Power ON LED Red - Relay energized
Supply Volatge :	110, 230 VAC 12-28 VAC/VDC
Housing :	Molded polyamide NEMA 1 DIN rail mountable
Process Temperature :	-40°C to 85°C
Humidity :	0 to 95% RH



Dimensions



Custom Builder

MODEL	1	2
RL-5920	-	-

BOX1 CODE	Supply Voltage
A	110 VAC
B	230 VAC
C	12-28 VAC/VDC

BOX2 CODE	Excitation
12	12 VDC
24	24 VDC