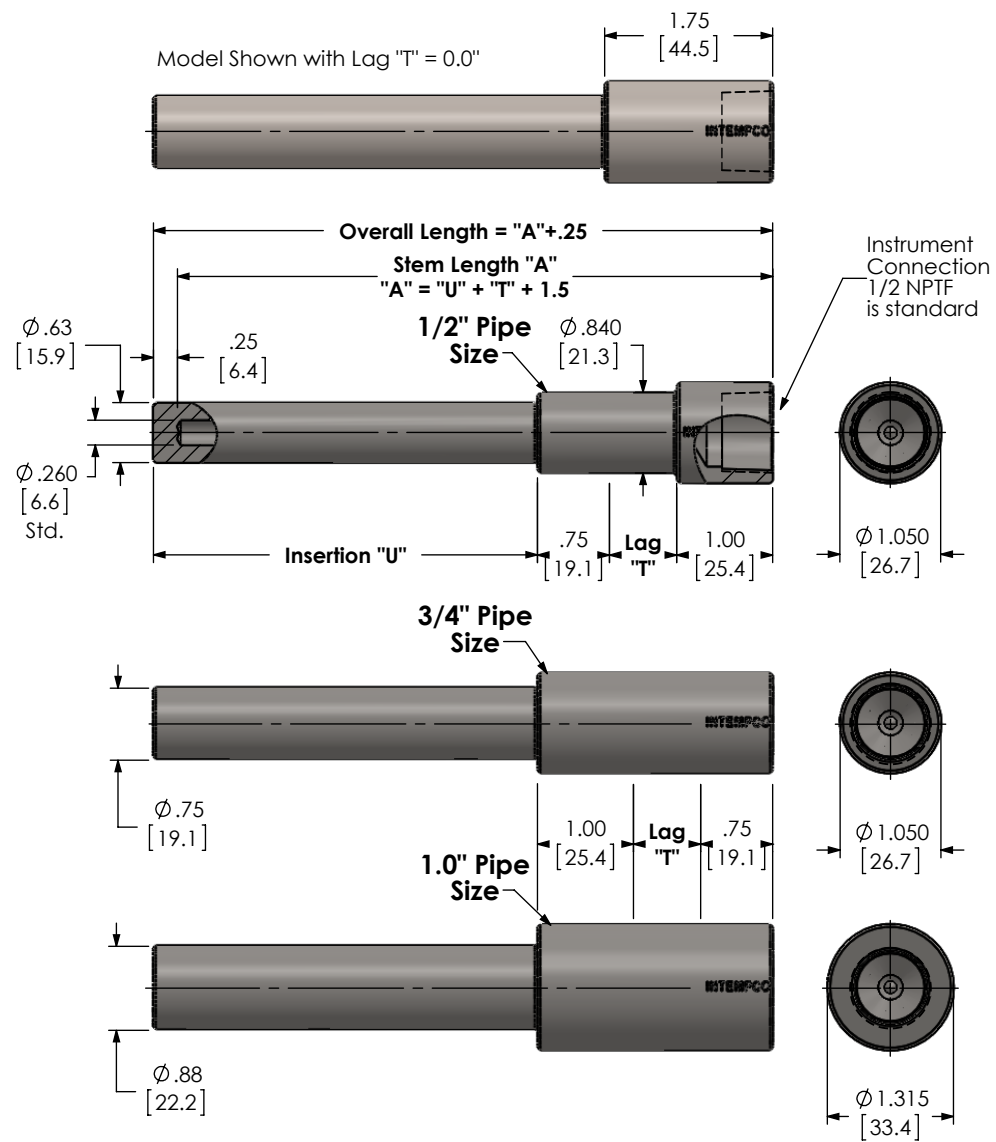
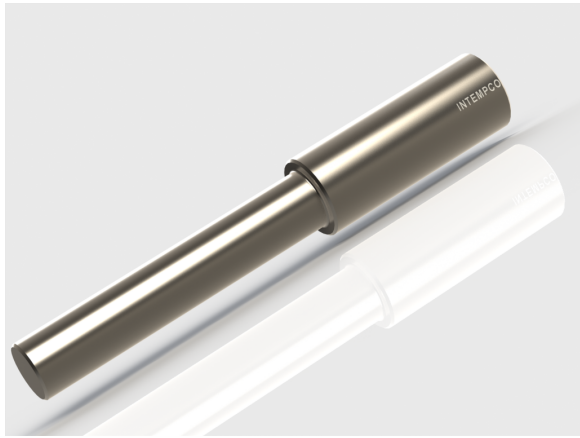


Custom Builder

Model	1	2	3	4	5	6	7	8	9
TW203	0	—	—	—	—	—	—	SF	—

MODEL CODE	Thermowell Style
TW203	Socket-Weld Straight
BOX1 CODE	
0	Fixed Code
BOX2 CODE	Bore Size /Stem
D	0.260" Std. for 1/4" Dia. Probe
6	0.245" for 6mm Dia. Probe
F	0.385" for 3/8" Dia. Probe
BOX3 CODE	Thermowell Material
SA	Stainless steel 316 / 316L, dual certified
SC	Stainless steel 304 / 304L, dual certified
LA	Inconel® 600
HA	Hastelloy® C276
BOX4 CODE	Insertion Length "U"
025	2.5 "
045	4.5 "
060	6.0 "
075	7.5 "
090	9.0 "
105	10.5 "
120	12.0 "
Custom	In 0.1 " increments from 0.1" to 36.0" Ex.: 120=12.0" Insertion
BOX5 CODE	Lag Extension "T"
00	No lag extension (0"), std.
10	1" lag extension
20	2" lag extension
30	3" lag extension
Custom	In 0.1 " increments from 0.1" to 12.0" Ex.: 15=1.5" long
BOX6 CODE	Process Connection Size
H	1/2" NPS
L	3/4" NPS
P	1" NPS
BOX7 CODE	Instrument Connection
ED	1/2" NPT female (std.)
EF	1/2" NPS female
EG	G-1/2" (BSPP) female
BOX8 CODE	Surface Finish
SF	32µ-in (0.8µm) Ra max.
BOX9 CODE	Options
N	No Options
E4	Well Material Certificate
CR	Canadian Registration Number
Z2	Stainless steel plug with chain
E1	Internal hydrostatic pressure test
E2	Liquid Dye penetrant testing
E3	X-Ray examination
Z3	Cleaned for oxygen service
E5	Murdoch strength calculations



Model TW203
Socket-Weld Straight
Barstock Construction
Industrial Thermowells

Dimensions are in inches [mm]

THE INFORMATION CONTAINED IN THIS DRAWING IS THE SOLE PROPERTY OF INTEMPCO CONTROLS. ANY REPRODUCTION IN PART OR AS A WHOLE WITHOUT THE WRITTEN PERMISSION OF INTEMPCO CONTROLS IS PROHIBITED.

Doc. No. TW-CAT001

Revision: -
 Revision Date: 2017-01-29

SHEET 14 OF 22