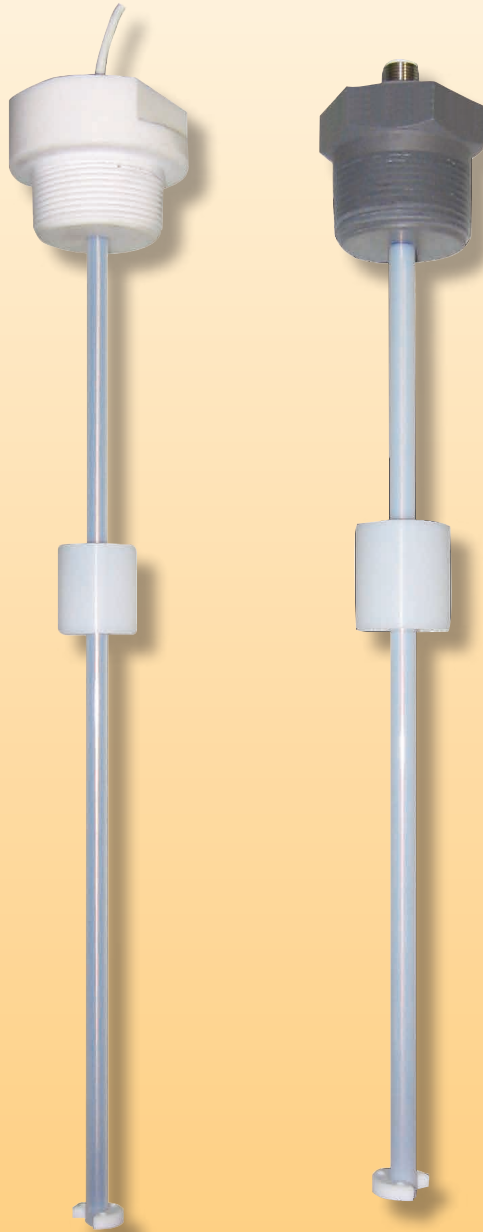


Liquid Level Transducer



measuring
•
monitoring
•
analyzing

NML-308



- All Plastic Wetted Parts
- All PTFE/PFA Parts Available
- Compatible with Aggressive Chemicals
- Continuous Level Measurement
- Analog Output via Remote Mounted Transmitter
- Compact Design
- Insensitive to Vapor and Foam
- Liquid Interface Detection



KOBOLD companies worldwide:

ARGENTINA, AUSTRALIA, AUSTRIA, BELGIUM, BULGARIA, CANADA, CHILE, CHINA, COLOMBIA, CZECH REPUBLIC, EGYPT, FRANCE, GERMANY, HUNGARY, INDIA, INDONESIA, ITALY, MALAYSIA, MEXICO, NETHERLANDS, PERU, POLAND, REPUBLIC OF KOREA, ROMANIA, SINGAPORE, SPAIN, SWITZERLAND, TAIWAN, THAILAND, TUNISIA, TURKEY, UNITED KINGDOM, USA, VIETNAM

KOBOLD Instruments, Inc.
1801 Parkway View Drive
Pittsburgh, PA 15205
☎ Main Office:
1.800.998.1020
1.412.788.4890
✉ info@koboldusa.com
www.koboldusa.com



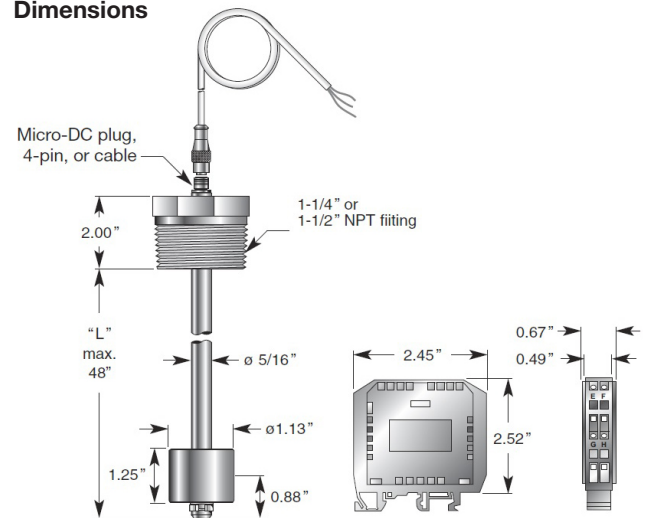
Description

The NML-308 miniature synthetic float level transducers are suitable for level measurement in vessels up to 48" in height. Floats are made from PTFE, tubes are PFA-clad 316 stainless steel, and the fittings are available in polyethylene, polypropylene, PVC or PTFE. The 1-1/4" or 1-1/2" NPT fitting accommodates the diameter of the float and enables easy installation from the top of the vessel, or mounting bracket, without removing the float. Each unit comes standard with a cable or a 4-pin micro-DC plug. Custom cables are available. The transmitted level signal is generated via a DIN rail transmitter mounted remotely.

Specifications

Minimum Length:	6"
Maximum Length:	48"
Resolution:	± 0.25"
Dead Band:	1" bottom, 0.62" top
Wetted Parts	
Stem:	PFA (Standard) or PTFE-Clad 316 SS
Float:	PTFE
Fitting:	1-1/4" or 1-1/2" NPT
Fitting Material:	PE, PP, PVC, or PTFE
Minimum S.G.:	0.9
Operating Temp.	
PVC/PE:	-4...140 °F
PP:	-4...190 °F
PTFE:	-4...250 °F
Max. Pressure:	25 PSIG @ 70 °F
Electrical Connection:	Micro-DC Plug, 4-pin or Cable
Protection:	NEMA 4X, IP 66

Dimensions



DIN Rail Transmitter

Input Voltage:	12-32 V _{DC} Max.
Output:	4-20 mA, 2-wire 0-5 V _{DC} , 3-wire 0-10 V _{DC} , 3-wire
Sensing Voltage:	5 V _{DC} Max.
Sensing Current:	2.5 mA Max.
Adjustments:	via Potentiometer
Ambient Temperature:	-4...140 °F
Protection:	NEMA 1, IP 40
Housing:	Polycarbonate
Dimensions:	2.52" x 0.67" x 2.45"

Order Details (Example: **NML-308 PE N7 A 1 PV L=12"**)

Model	Fitting Material	Fitting Size	Output	Stem Cladding	Electrical Connection	Options
NML-308..	..PE.. = Polyethylene	..N7.. = 1-1/4" NPT ..N8.. = 1-1/2" NPT	..A.. = 4-20 mA	..1.. = PFA (Std) ..2.. = PTFE	..MD = Micro-DC Plug, 4-pin	..EC = Extended Cable (Specify Length)
	..PP.. = Polypropylene		..B.. = 0-5 V _{DC}		..PV = PVC Cable, 6 ft	
	..PV.. = PVC		..C.. = 0-10 V _{DC}		..SL = Silicone Cable, 6 ft	
	..PF.. = PTFE				..TF = PTFE-clad Cable, 6 ft ..TA = PTFE-clad with SS Armored Cable, 6 ft	
Additional Information						
Please Specify Desired Probe Length when Ordering as L = XX", ie. L= 12"						
Accessories						
807.037 = Mating 4-pin Micro-DC plug with 6 foot cable						