

## Product Features

- For fuel, oil tanks
- OEM applications, low cost
- Compact 3/4" NPT concentric tube design
- Accuracy 1% of span for constant dielectric of material
- Tube and inner probe SS316
- For use with metallic and non-metallic tanks
- Continuous loop powered 4-20 mA operation

## Description

The Intempco LTX20 series fuel capacitance level transmitter is designed to measure level of fuels and oils in metallic and non-metallic tanks. The probe measures level by measuring the change in capacitance as level changes in the tank. The micro-processor based electronics converts this capacitance change into a linear, highly accurate 4-20 mA signal.

The LTX20 includes a standard 4-20 mA loop powered LTX transmitter, a concentric 0.75-inch diameter concentric shield with ranges up to 10 feet. Probe material is SS316. The LTX20 is designed for tanks which have fitting connections of 3/4" NPT or larger and in applications where the liquid is relatively clean or non-clogging.

An excellent application for the LTX20 are stationary or mobile generators. This level sensor is shock resistant and very rugged. There are no moving parts. To isolate for ground loops, a non-conductive reducer (such as PVC) can be used between the tank and the 3/4" NPT fitting of the LTX20.

## Application / Process Notes

- Diesel fuels
- Hydraulic oils
- Vegetable oils
- Chemical holding tanks
- MEK and other solvents
- Many other, non-conductive liquids.

## Do Not use with

- Water and other conductive liquids
- Conductive acids
- Materials corrosive to SS316

### Concentric Tube Type



Shown with CS3 head



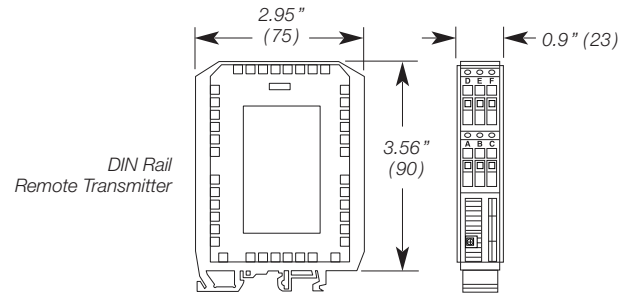
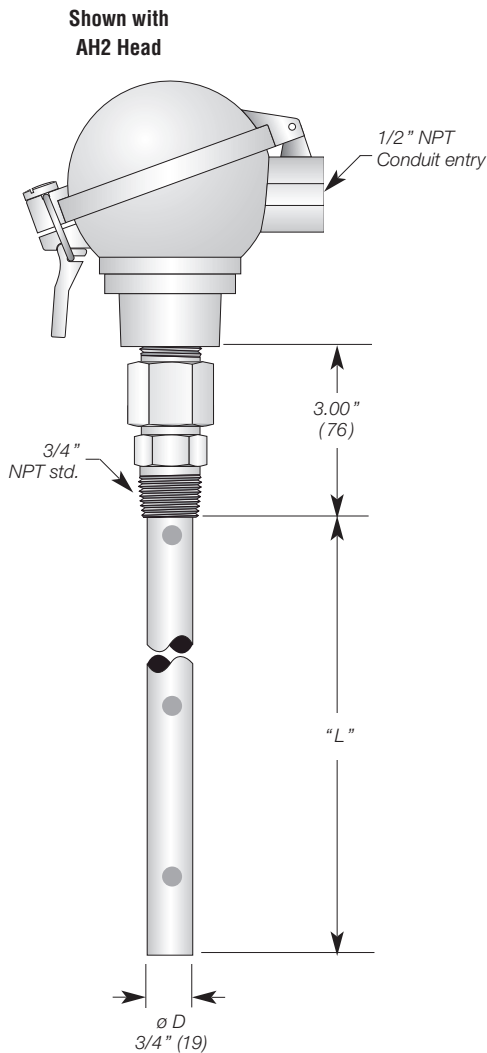
Shown with AH2 head

DIN Rail Remote Transmitter 4/20 mA output



# LTX20 FUEL LEVEL SENSOR

Continuous Capacitance Level Transmitter  
4-20 mA, Loop Powered



## Electrical Specifications

<b>Supply Voltage :</b>	12 VDC-36 VDC
<b>Output :</b>	4-20 mA, loop powered
<b>Maximum Loop Res.:</b>	[Vs - 10] / 0.02 (i.e. 700 Ω @ 24 VDC)
<b>Calibration :</b>	Via 4 push-button switches non-interactive settings
<b>Capacitance Range :</b>	10 pF to 10000 pF
<b>Accuracy :</b>	± 1% of full span (constant dielectric)
<b>Repeatability :</b>	± 0.1 % of span
<b>Damping Adjust :</b>	0-30 sec.
<b>Ambient Temperature :</b>	-40 to 70 °C (-40 to 158 °F)

## Mechanical Specifications

<b>Enclosures :</b>	<b>AH2 :</b> Aluminum, lift cover type, NEMA 4 <b>CS3 :</b> Stainless 316, NEMA 4X
<b>Mounting Thread :</b>	3/4" NPT standard
<b>Process Temperature:</b>	200 °C max (392 °F)-consult factory for higher temperatures
<b>Pressure Limits:</b>	100 psi (34 bar) @ 25 °C (77 °F) 14.5 psi (1 bar) @ 200 °C (392 °F)
<b>Probe &amp; Tube Mat'l :</b>	SS316, 3/4" (19 mm) O.D.

## Ordering Information :

MODEL    BOX1    BOX2    BOX3    BOX4    BOX5    BOX6  
**LTX20** -  -  -  -  -  -

BOX1 CODE	Electronic Module
LP	LTX1A 4-20 mA output loop-powered (installed in enclosure)
DN	DIN Rail Module (installed remotely)

BOX3 CODE	Fitting
P34	Male pip size 3/4" NPT std.

BOX4 CODE	Probe Material
B	SS316 Bare solid probe

BOX2 CODE	Enclosure
AH*	Aluminum Flip-Cover
CS3	Cast Stainless Steel, 3/4" NPT conduit

BOX5 CODE	Probe Length "L"
---	In inches (20 ft max.) Ex.: <b>065</b> = 65" long

BOX6 CODE	Options
N	None

\*2 = 1/2" NPT Conduit

\*3 = 3/4" NPT Conduit

Note : See **Level Accessories Section** for Enclosure specifications and dimensions