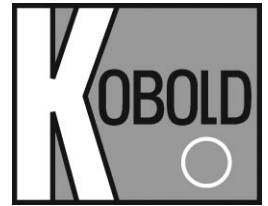


NEO-7

Ultrasonic Level Transmitter



NEO-7006, NEO-7006-IS, NEO-7012 & NEO-7012-IS Series Manual



An ultrasonic sound wave is pulsed from the base of the transducer. The sound wave reflects against the process medium below it. The sound wave energy is returned to the transducer. The microprocessor based electronics measures the time of flight between the sound pulse generation and its receipt. This translates into the distance or range between the transducer and process media below.

NEW FEATURES

- Reflective Ultrasonic Technology
- Simple configuration with push button or NEOCal software
- Increased temperature range
- Increased output filtering

TABLE OF CONTENTS

Introduction: 2

 Specifications: 4

 Dimensions: 5-6

 Intrinsically Safe Control Drawing: 7

 Reflective Technology: 8

 About this manual: 9

Getting Started: 10

 Setup Overview: 10

 Components: 10

 NEOCal Software vs. Display Configuration: 11

 Understanding Sensor Height (Height): 12

 Understanding Fill-Height (Fill-H): 13-14

 Sensor Output to Local Display: 15

Configuration (with NEOCal Software): 16

 Step 1 – Install NEOCal Software: 16

 NEOCal Software System Requirements: 16

 USB Fob Interface: 17

 Step 2 – Measure the Tank: 18

 Step 3 – Sensor Configuration: 19

 Step 4 – Dimensional Entry: 20

 Step 5 – Tank Level Confirmation: 21

 Step 6 – Write to Unit: 21

Configuration (with Display): 22

 Step1 – Measure Tank: 22

 Step 2 – Setting the Units of Measurement: 23

 Step 3 – Setting the Height: 24

 Step 4 – Setting the Fill-H: 25

 Step 5 – Setting the Fail-Safe Current Output: 26

Installation: 27

 Mounting Guide: 27

 Fitting Selection: 28-29

Wiring: 30

- Wiring Diagram – Sample: 30
- Wire Connections:..... 31
- General Notes for Electrical Connections, Usage and Safety: 31
- Analog Output: 32
- Common Wiring to Displays, Controllers & PLCs: 33

NEOCal Software Appendix: 34

- Sensor Configuration:34-35
- Volumetric Configuration:.....36-38
- Tank Level Confirmation: 39
- “Write to Unit” 40

Display Appendix: 41

- Air Gap vs. Liquid Level: 41
- How to reverse the current output (Rev mA): 42
- How to Setup to Start-up Power: 43
- Values Menu: 44
 - SETUP: 44
 - Diagnostic (DIAG) parameters: 44
 - Reset: 45

Appendix: 46

- Factory Settings: 46
- User Settings: 46
- Troubleshooting: 47

Limited Warranty: 48

SPECIFICATIONS

Electrical:

Supply Voltage: 14-28 Vdc
 Signal: 4 to 20 mA current loop; 22 mA max.
 Signal invert: 4-20mA or 20-4mA
 Signal fail-safe: 4mA, 20mA, 21mA, 22mA or hold last value

Mechanical:

Display Module: Removable via short cable and plug
 LCD: 6 characters, 10 mm (0.394") height
 Buttons: Three, UP / OK / DN
Pin Connection: Display can be removed such that the open connection allows the sensor to be NEOCal software capable.
 Enclosure:
 General Purpose: Polypropylene head with skirt to support transducer w/ conduit
 Intrinsically Safe: Aluminum thermal head with skirt to support transducer w/ conduit. * Earth ground on package external (min. 14 AWG)

Electrical Connections:

Power & Return: 2-pin quick connect terminal block
 NEOCal Connect.: 2-pin quick connect terminal block
 Display Connect.: 5-pin plug & socket
 Conduit Connection: Single, 1/2 inch NPT
 Transducer: Black, Polyvinylidene Fluoride (PVDF)
 Terminal Cable Size: 16 to 24 AWG
 Process Mount: -7006: 2" NPT
 -7012: 3" NPT
 Compliance: CE, RoHS

Environmental:

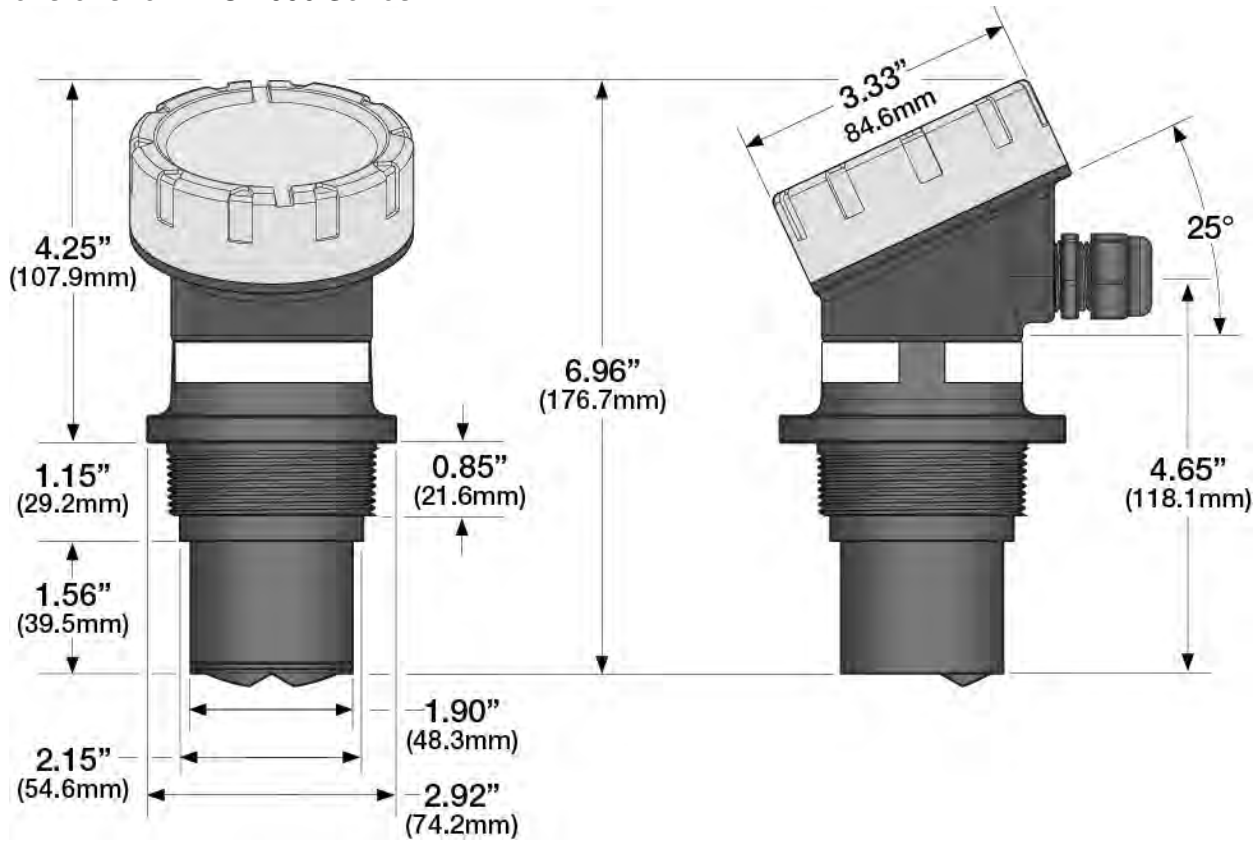
Temperature: F: -40° to 176°
 C: -40° to 80°
 Temp. compensation: Automatic
 Ambient temp.: F: -31° to 140°
 C: -35° to 60°
 Pressure: 30 psi (2 bar)
 Enclosure:
 General purpose: IP68
 Intrinsically safe: IP66

Functional:

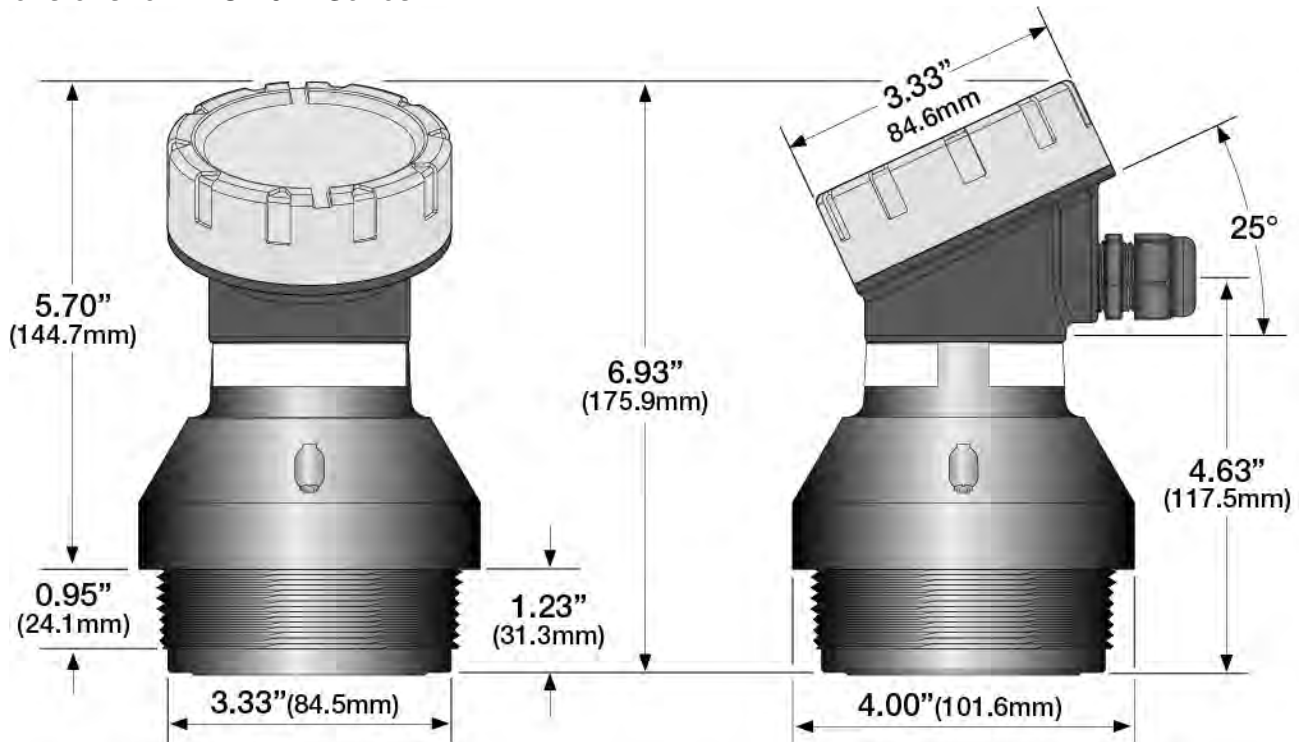
Range: -7006: 6.0m (19.69 feet)
 -7012: 12.0m (39.4 feet)
 Dead band: -7006: 20cm (8 inches)
 -7012: 45.7cm (18 inches)
 Accuracy: 0.2% of Range in air at 20 °C
 Resolution: -7006: 2mm (0.079 inches)
 -7012: 5mm (0.196 inches)
 Beam width: -7006: 7.6cm (3 inches)
 -7012: 15.2cm (6 inches)
 Menu: Self-scrolling

DIMENSIONS

Dimensions for NEO-7006 Series

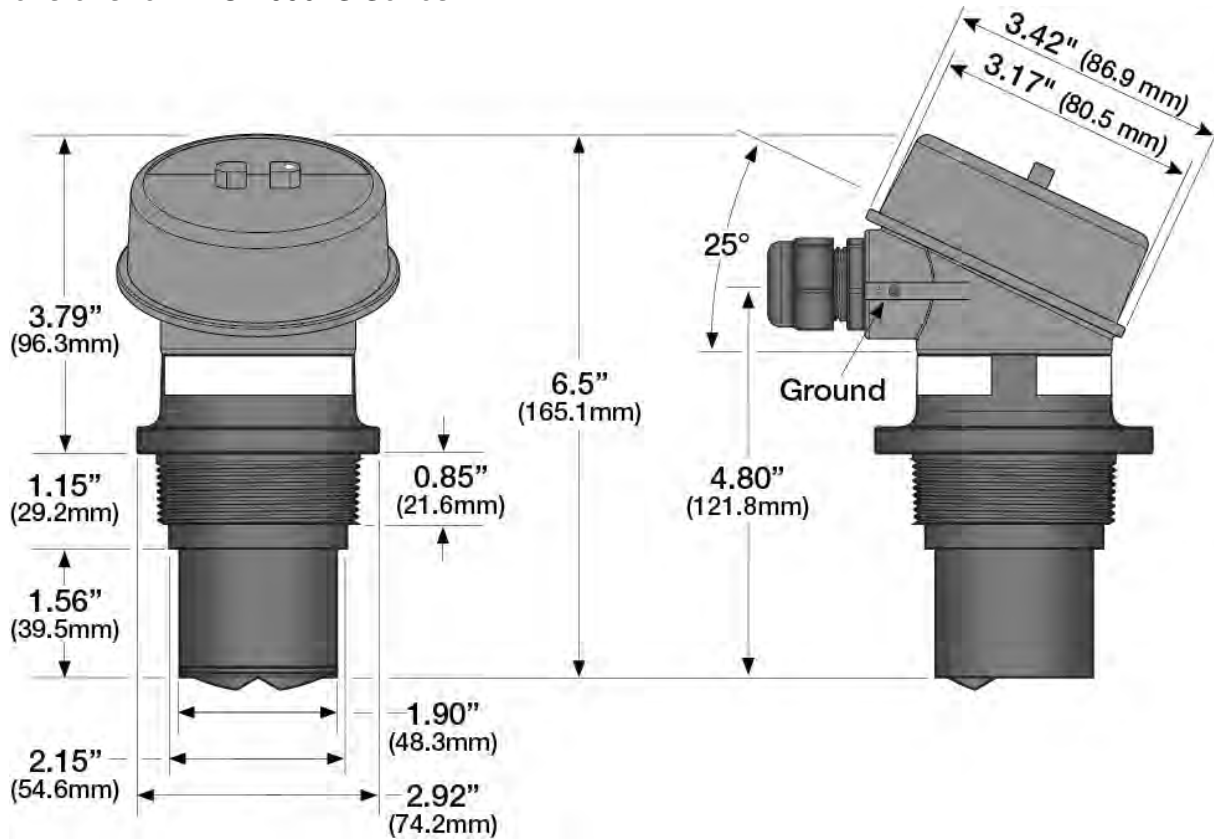


Dimensions for NEO-7012 Series

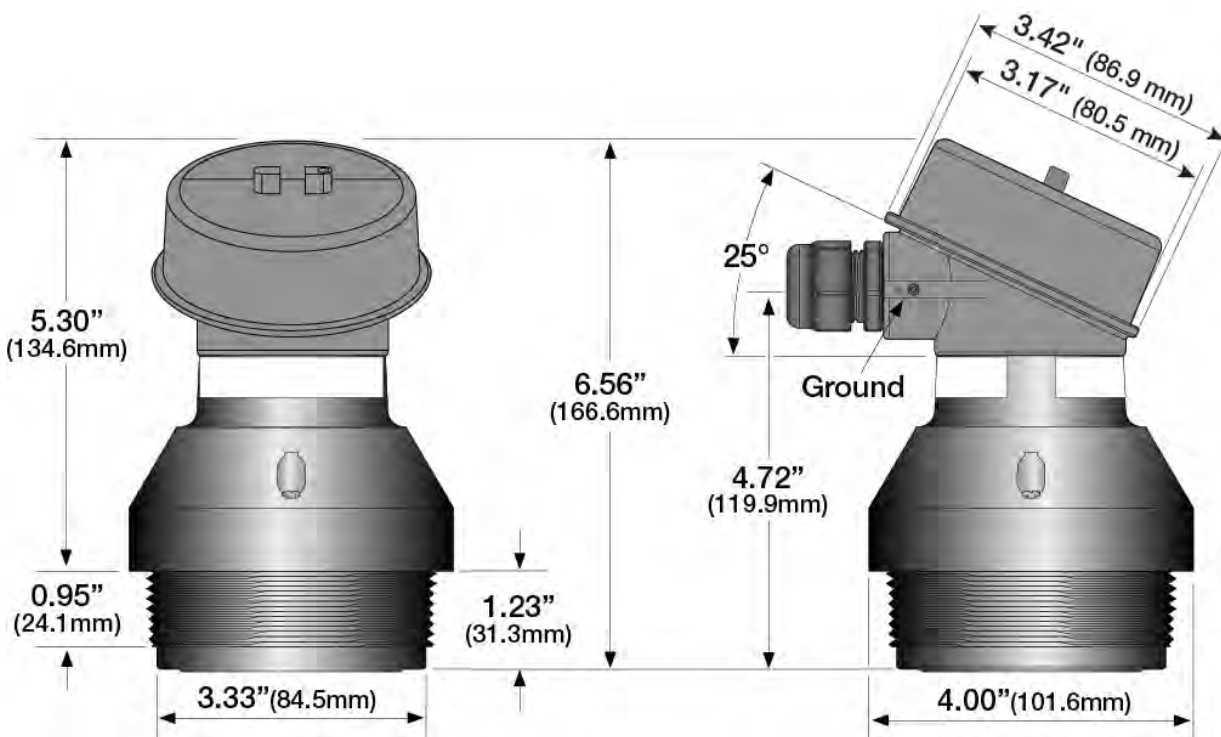


DIMENSIONS

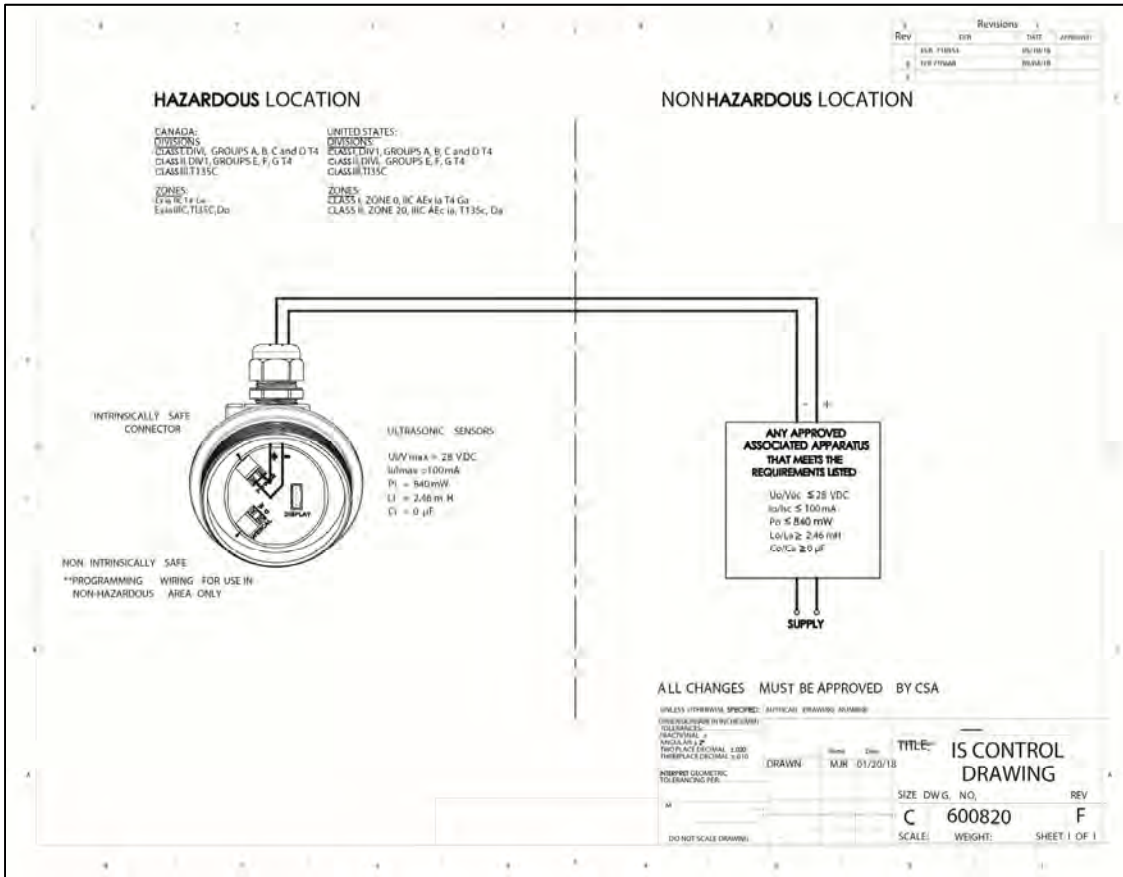
Dimensions for NEO-7006-IS Series



Dimensions for NEO-7012-IS Series



INTRINSICALLY SAFE CONTROL DRAWING (NEO-7006-IS & NEO-7012-IS ONLY):



Intrinsically Safe Approvals:

- Intrinsic Safe: 14-28 Vdc \leq 22mA
- Output: 4-20mAdc
- Temp: -40°C to +80°C
- Type 4X/IP66: US06 series
- Approval Agency: cCSA_{us}
- General: CE, RoHS

CSA for U.S.:

- Class I, Div 1, Groups A, B, C and D T4;
- Class II, Div 1, Groups E, F, G T4;
- Class III, T135°C;
- Class I, Zone 0, IIC AEx ia T4 Ga,
- Class II, Zone 20, IIIC AEx ia, T135°C, Da

CSA for Canada:

- Class I, Division 1, Groups A, B, C and D T4;
- Class II, Division 1, Groups E, F, G T4;
- Class III, T135°C;
- Ex ia IIC T4 Ga;
- Ex ia IIIC T135°C Da;

IECEX:

- Ex ia IIC T4 Ga;
- Ex ia IIIC T135°C Da
- Tamb: -40°C to 80°C

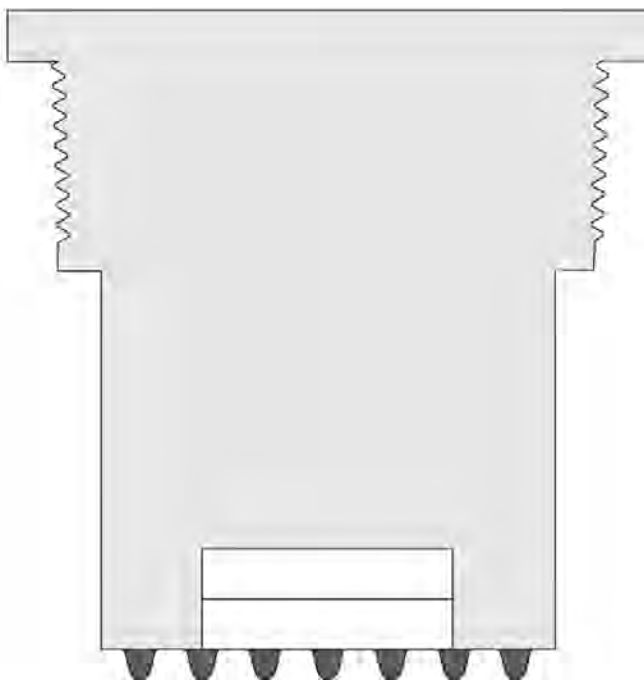
Install as per Control Drawing 600820

REFLECTIVE TECHNOLOGY



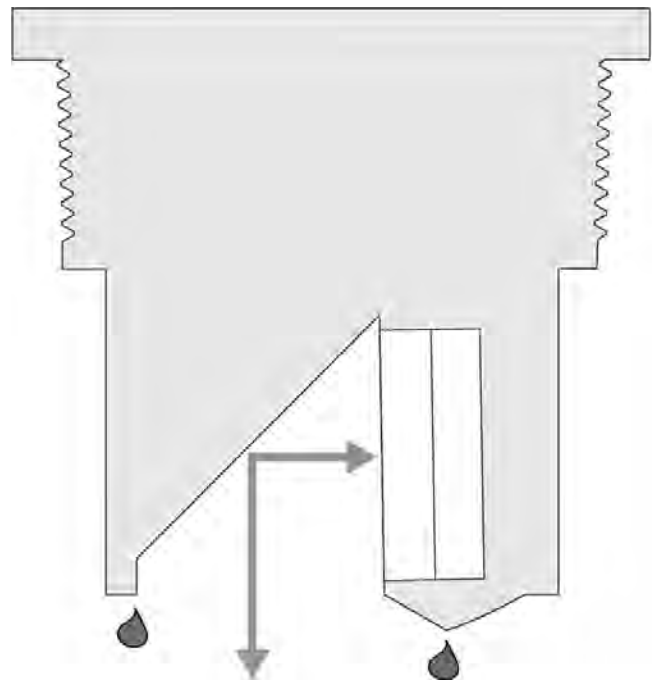
Condensation is the most common variable in liquid level applications. Condensation attenuates the acoustic signal of ultrasonic sensors with horizontal transducers, weakening their signal strength and signal to noise ratio by up to 50%, and substantially reducing their measurement reliability. At the core of Reflective Technology is a simple fact. Unlike flat horizontal surfaces, significant water droplets cannot adhere to smooth vertical surfaces. By orienting the transducer vertically, condensation runs off the transducer and does not affect sensor performance. The unimpeded transmit and receive signals are redirected to and from the liquid off a 45° reflector, delivering reliable level measurement.

FLAT TRANSDUCER



Signal Attenuation

REFLECTIVE TRANSDUCER



Reliable Measurement

▲ **About this Manual:** PLEASE READ THE ENTIRE MANUAL PRIOR TO INSTALLING OR USING THIS PRODUCT. This manual includes information on the NEO-7 series Ultrasonic Level Transmitter from KOBOLD INSTRUMENTS. Please refer to the part number located on the switch label to verify the exact model configuration, which you have purchased.

▲ **User's Responsibility for Safety:** KOBOLD INSTRUMENTS manufactures a broad range of level sensing technologies. While each of these sensors is designed to operate in a wide variety of applications, it is the user's responsibility to select a sensor model that is appropriate for the application, install it properly, perform tests of the installed system, and maintain all components. The failure to do so could result in property damage or serious injury.

▲ **Proper Installation and Handling:** Only professional staff should install and/or repair this product. Never over tighten the sensor within the fitting. Always check for leaks prior to system start-up.

▲ **Wiring and Electrical:** A supply voltage of 14 to 28 VDC is used to power the NEO-7. Electrical wiring of the transmitter should be performed in accordance with all applicable national, state, and local codes.

▲ **Material Compatibility:** The enclosure is made of Polypropylene (PP) with the general purpose versions and is made of aluminum for the intrinsically safe versions. The transducer is made of Polyvinylidene Fluoride (PVDF). Make sure that the model, which you have selected, is chemically compatible with the application media.

▲ **Enclosure:** While the sensor housing is liquid-resistant the NEO-7 is not designed to be operational when immersed. It should be mounted in such a way that the enclosure and transducer do not come into contact with the application media under normal operational conditions.

▲ **Warning - Potential Electrostatic Charging Hazard (Handling Static-Sensitive Circuits/Devices):** When handling the transmitter, the technician should follow these guidelines to reduce any possible electrostatic charge build-up on the technician's body and the electronic part.

1. Always touch a known good ground source before handling the part. This should be repeated while handling the part and more frequently after sitting down from a standing position, sliding across the seat or walking a distance.
2. Avoid touching electrical terminals of the part unless making connections.
3. DO NOT open the unit cover until it is time to calibrate.

▲ **Make a Fail-Safe System:** Design a fail-safe system that accommodates the possibility of switch and/or power failure. KOBOLD INSTRUMENTS recommends the use of redundant backup systems and alarms in addition to the primary system.

Flammable, Explosive or Hazardous Applications:

NEO-7006 & NEO-7012 series should not be used within classified hazardous environments. Only the NEO-7006-IS and NEO-7012-IS are rated for use in hazardous locations. Refer to the certificate of compliance for all applicable intrinsically safe ratings and entity parameters. Refer to the National Electric Code (NEC) for all applicable installation requirements in hazardous locations.

▲ **Warning:** Make sure that all electrical wiring of the switch is in accordance with applicable codes.

▲ **Warning:** Use only specified replacement parts or Intrinsic Safety can be impaired.

▲ **Warning:** To prevent ignition of explosive atmospheres, disconnect power before servicing.

SETUP OVERVIEW

Below highlights the initial steps in setting up your sensor for operation.

1. **Check Part Number** (Section Two)
 - a. Confirm that the sensor's part number matches the ordered part number and all components are provided with the model delivered.
2. **Measurements, Installation & Software** (Section Two)
 - a. Understand the location placement of the sensor relative to Measurement Range including Sensor Height and Fill-Height settings.
 - b. Download the NEOCal software from www.koboldusa.com.
3. **Configure Sensor with NEOCal software** (Section Three)
 - a. Section 3 contains information on using the NEOCal software.
4. **Configure Sensor with Push Button** (Section Four)
 - a. Section 4 contains information on using the Push Button Display to configure the sensor.
5. **Install the sensor** (Section Five)
 - a. Section 5 contains information about the sensor location placement and its mechanical installation.
6. **Wire the sensor** (Section Six)
 - a. Section 6 contains information about the sensor's electrical wiring and power requirements.

Note: When configuring NEO-7 series, choose either the NEOCal software or Push Button method. Either method will accomplish the goal of sensor configuration. Changes to the configuration can be made using the alternative method. When beginning with one method, it is recommended to complete the configuration before using the other method to make any adjustments.

COMPONENTS

NEO-7 is offered in different models. Depending on the model purchased, you may or may not have been shipped all the components shown below.

P/N	Max. Range	Dead Band	Thread	Rating	Output	Configuration
NEO-7006	19.7' (6m)	8" (20cm)	2" NPT	General Purpose	4-20 mA	Display with Push Button or NEOCal software
NEO-7006-IS				Intrinsically Safe		
NEO-7012	39.4' (12m)	18" (45.7cm)	3" NPT	General Purpose		
NEO-7012-IS				Intrinsically Safe		

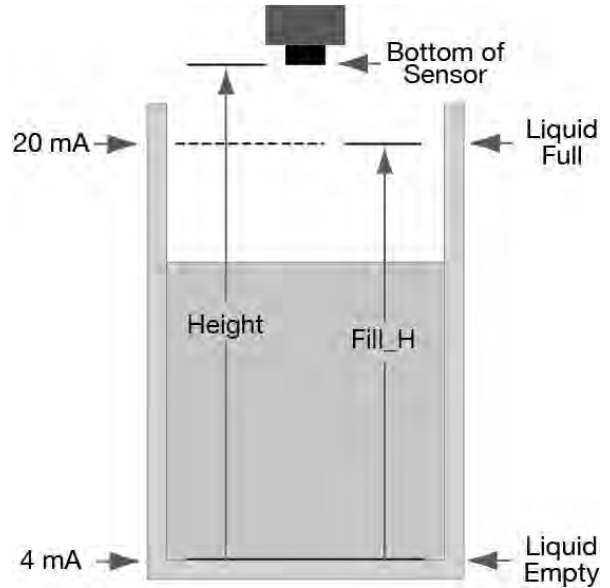
- Manual

NEOCAL SOFTWARE VS. DISPLAY CONFIGURATION

NEO-7 can be configured using either the free NEOCal software and USB[®] Fob or with the internal display module. Either method will accomplish the goal of sensor configuration. Changes to the configuration can be made using the alternative method. Upon implementing one methodology, it is recommended to complete the configuration before using the other methodology in making any adjustments.

NEO-7 can be configured before installation or after installation. The transmitter features non-volatile memory, so any settings configured before installation will not be lost when the sensor is powered down. To start, the following information is required:

- Basic Tank Information
 - **HEIGHT** (Sensor Height) – Distance from the bottom of the tank to the bottom of the sensor.
 - **FILL-H** (Fill-Height) – Distance from the bottom of the tank to the fill-height of the liquid.
- Power:
 - Provide input power to the NEO-7

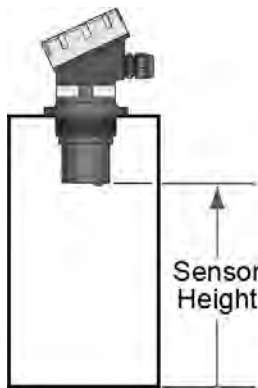


Note: The **HEIGHT** and Fill-Height (**FILL-H**) settings also determine the 4 to 20 mA current span. The **HEIGHT** setting determines the 4mA position and the **FILL-H** setting determines the 20 mA position.

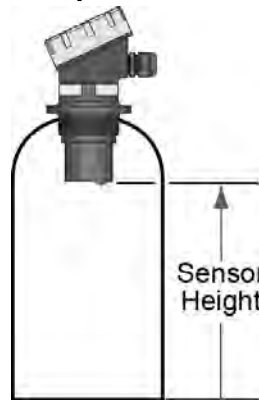
UNDERSTANDING SENSOR HEIGHT (HEIGHT)

This is a critical setting for NEO-7. Sensor Height (SH) defines the location of the sensor from the bottom of the tank. The value must take into account the shape of the tank and any risers, fittings, structures or extensions associated with the tank or the installation (see examples below). The reference point for definition of the Sensor Height is always the bottom of the transducer.

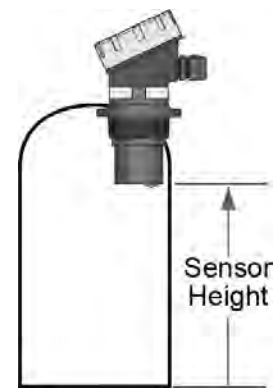
Simple Vertical Tank



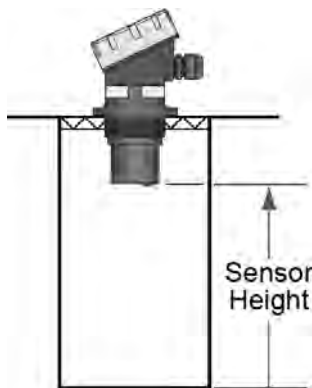
Dome Top Raises HEIGHT



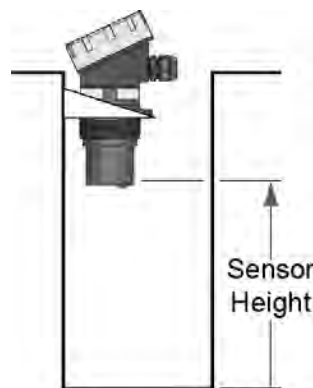
Sensor Off-center Changes HEIGHT



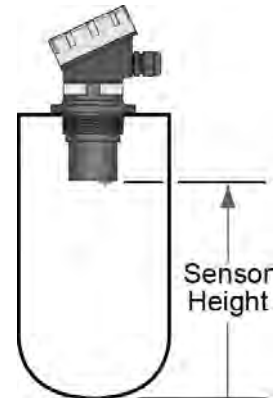
Simple Open Top Tank



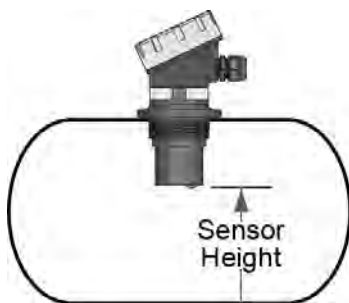
Sensor Extends into Sump



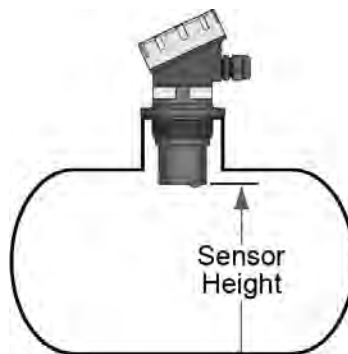
Cone Bottom Elevates HEIGHT



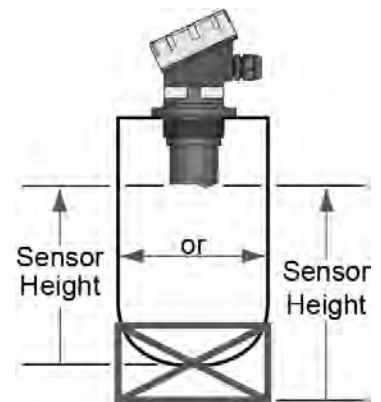
Simple Horizontal Tank



Riser Elevates HEIGHT



Mounting Fixture Elevates HEIGHT



UNDERSTANDING FILL-HEIGHT (FILL-H)

This is another critical setting for NEO-7. **FILL-H** (Fill-Height) defines the location of the highest point in the tank where the sensor will read level changes. When the level rises above **FILL-H**, the sensor will read full (as long as the level does not enter the dead band). The reference point for definition of **FILL-H** is always from the bottom location of the Sensor Height. The value must take into account the sensors dead band, any risers, fittings, structures or extensions associated with the tank or the installation as well as the tanks geometry.

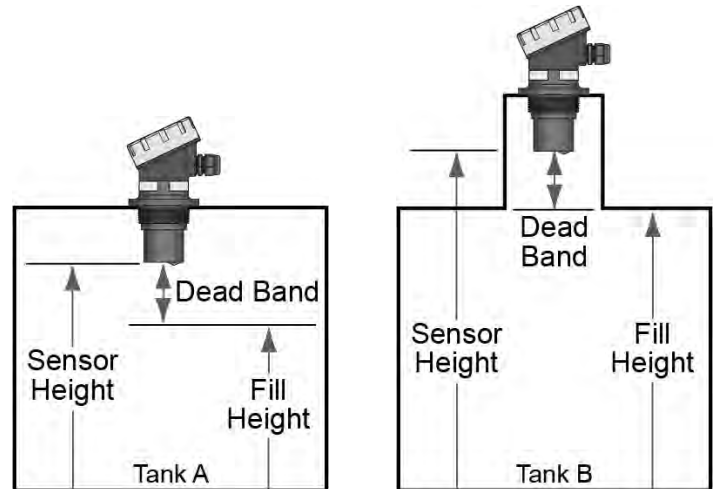
Example #1 – Flat Top Tanks

Tank A is a vertical tank with a flat top. The highest value for **FILL-H** can be calculated by subtracting the **Dead Band** from the **Sensor Height**.

$$\text{FILL-H} = \text{Sensor Height} - \text{Dead Band}$$

Tank B is another vertical tank with a riser that matches the dead band of the sensor. In this case, the **FILL-H** will be set to the top of the tank.

Note: The ratio of height to diameter of the riser must be no greater than 2:1. Any higher and the sensor will target the inside wall of the riser.

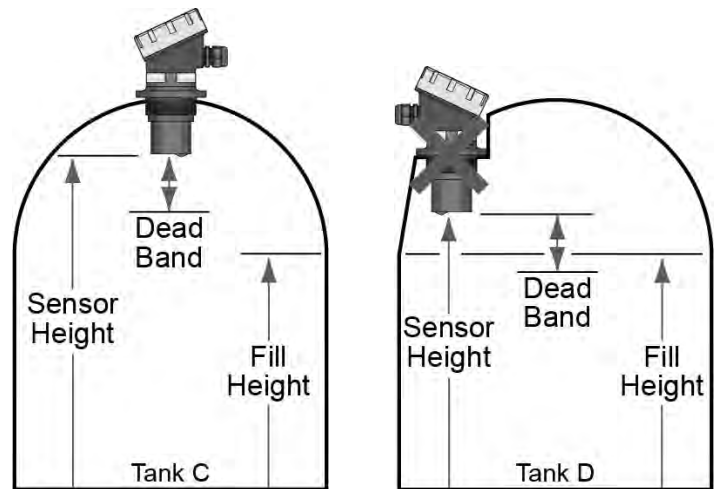


Example #2 – Dome Top Tanks

Tank C has a tall enough dome whereas the **Dead Band** is above the straight side of the tank. The **FILL-H** can be set to the top of the straight side (this is advantageous because the top of the straight side is typically a known volume of liquid).

The sensor is moved to a flat part of **Tank D**. As a result, the **Dead Band** is now below the straight side of the tank. **FILL-H** cannot be set to match the straight side of the tank. Calculate **FILL-H** as follows:

$$\text{FILL-H} = \text{Sensor Height} - \text{Dead Band}$$



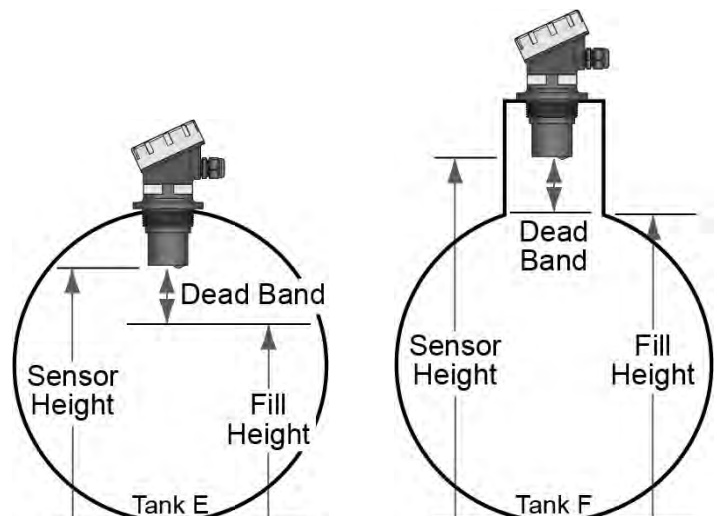
Example #3 – Horizontal Tanks

Tank E is a horizontal tank with a rounded top. The highest value for **FILL-H** can be calculated by subtracting the **Dead Band** from the **Sensor Height**.

$$\text{FILL-H} = \text{Sensor Height} - \text{Dead Band}$$

Tank F is another horizontal tank with a riser that matches the dead band of the sensor. In this case, the **FILL-H** will be set to the top of the tank.

Note: The ratio of height to diameter of the riser must be no greater than 2:1. Any higher and the sensor will target the inside wall of the riser.



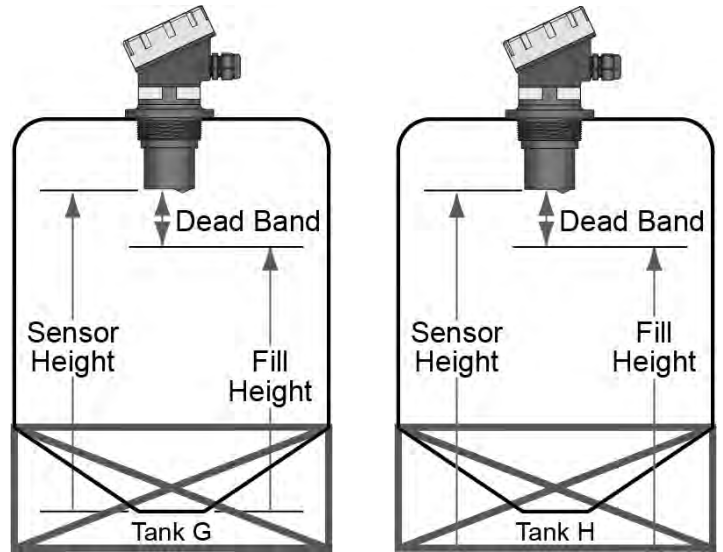
Example #4 – Cone Bottom Tank

Tank G and **Tank H** are both vertical tanks that are being supported above ground level with tank stands. The location of the **Sensor Height** (Tank G - bottom of tank or Tank H – ground level) will influence the **FILL-H** setting.

Note: *FILL-H must always be referenced to the lowest location of the Sensor Height.*

Since **Tank G** is off of the ground, the lowest location may be difficult to identify/measure. This location is required if the Volumetric Mode in NEOCal software is used.

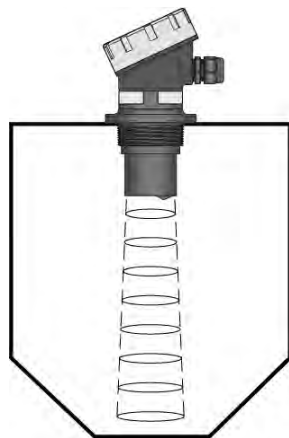
Tank H uses ground level as the main reference location. This method is easiest to use and ideal for using the Distance Mode.



Cone and Rounded Bottom Tanks

The location of an NEO-7 installed along the top of a cone or rounded bottom tank may have an effect on the installation of the sensor. Be sure to understand the geometry directly underneath the sensor. Cone or rounded bottom tanks will provide off angled surfaces that can reflect the ultrasonic sound energy away from the sensor as the liquid level is lowered.

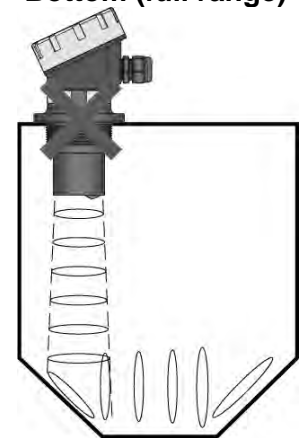
#1 Center of Cone



#2 Above an Angled Tank Bottom (straight side only)



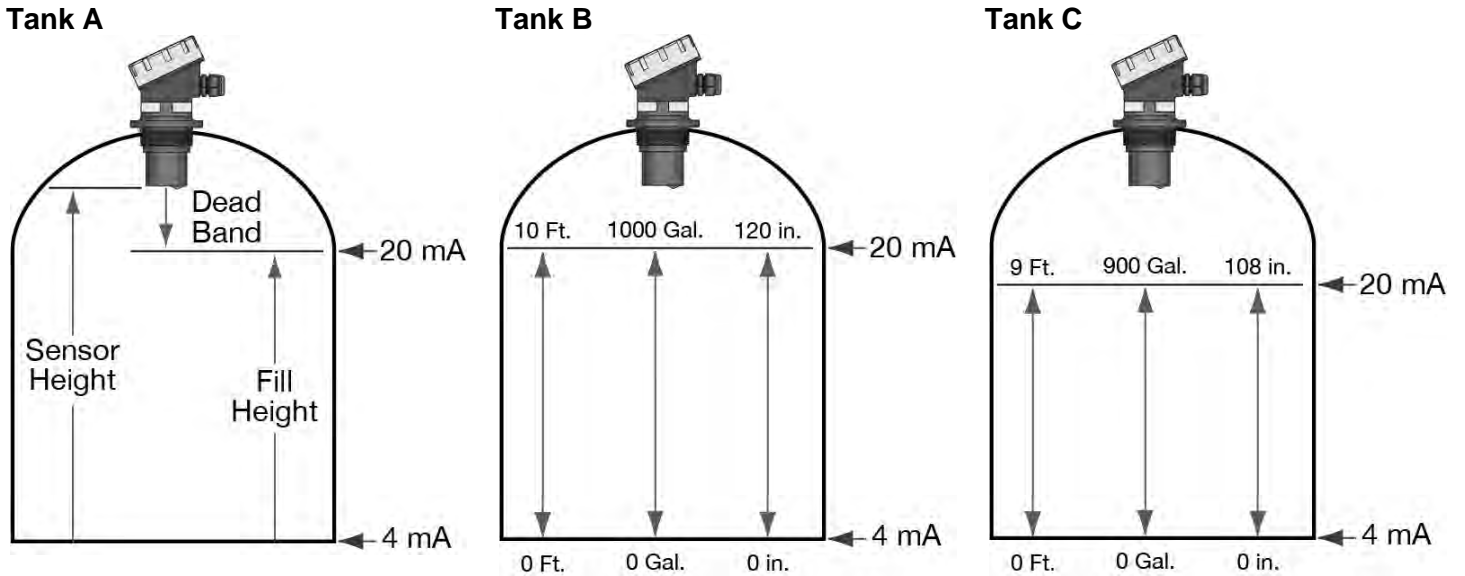
#3 Above an Angled Tank Bottom (full range)



Tank Geometry	Does not impede sensor's performance. Sensor is able to track the entire range of the tank.	Does not impede sensor's performance as long as the level remains within the straight side of the tank wall.	Does impede sensor's performance. The angled bottom will reflect ultrasonic energy away from the sensor.
Distance Reading	HEIGHT is typically set to the bottom of the tank. Sensor will track the full range of the tank.	HEIGHT is typically set to the bottom of the straight side. Sensor will only tack the straight side of the tank.	HEIGHT is set to the bottom of the tank; the sensor will function as long as the level is within the straight side of the tank.

SENSOR OUTPUT TO LOCAL DISPLAY/CONTROLLER

NEO-7 outputs a 4-20 mA signal to a local display/controller or to remote devices such as PLCs, SCADA, DCS or other displays/controllers. The 4-20 mA signal is set relative to the Sensor Height and Fill-Height settings. These settings create an operational range that can be translated into a level reading in defined units (i.e. inches, feet, gallons, meters, liters, etc.).



In the **Tank A** example, the Sensor Height sets the 4mA to the bottom of the tank. Fill-Height sets the 20mA to the top of the straight side of the tank.

In the **Tank B** example, the 4-20mA sensor range is correlated to actual units of level measurement. The operational range now will have engineering values of 0 to 10 feet or 0 to 1000 gallons or 0 to 120 inches.

In the **Tank C** example, the 20mA setting was lowered by 1 foot, so the engineering values for the new shorter operational ranges are either 0 to 9 feet, 0 to 900 gallons or 0 to 108 inches.

NEO-7 can be configured before installation. The transmitter features non-volatile memory, so any setting configured before installation will not be lost when the switch is powered down. To configure, follow the steps below:

1. Install NEOCal software
 - a. Go to www.koboldusa.com.
 - b. Review how USB[®] Fob interfaces with NEO-7 and your computer.
2. Measure the Tank
 - a. Begin by measuring the key tank and fitting dimensions.
 - b. Correct tank dimensions will result in accurate sensor measurement.
3. Sensor Configuration
 - a. Configures Loop Fail-Safe, Output at Empty & Startup Condition for the sensor.
4. Dimensional Entry
 - a. Distance Mode (default)
 - i. Basic information for operation (Sensor Height & Fill-Height).
5. Tank Level Confirmation
 - a. Confirm the values are accurate for the application.
6. Write to Unit
 - a. Uploads configuration into the sensor.
 - b. Access to a customer wiring diagram specific to the relay configuration.

Note: When configuring NEO-7, choose either the NEOCal software or Push Button method. Either method will accomplish the goal of sensor configuration. Changes to the configuration can be made using the alternative method. When beginning with one method, it is recommended to complete the configuration before using the other method to make any adjustments.

Note: Do not connect the Fob to your computer until you've installed NEOCal software.

STEP 1 – INSTALL NEOCAL SOFTWARE

NEO-7 is configured through NEOCal software, a PC software program. The NEOCal software is a free download from KOBOLD Instruments's website. **You must download and install the NEOCal software prior to plugging in the USB[®] Programming Fob (NEO-PFOB).** Please go to www.koboldusa.com to download the NEOCal software.

NEOCAL SOFTWARE SYSTEM REQUIREMENTS

Windows[®] XP, Vista, 7, 8, 10
32 or 64-bit system
1 USB[®] 2.0 port
10 mB hard drive space
256 mB RAM
Internet connection

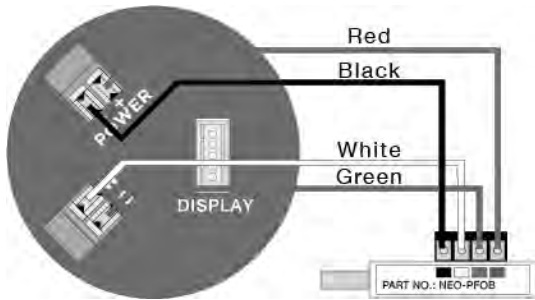
NEO-PFOB INTERFACE

NEO-7 communicates with the NEOCal software through a USB® interface called the NEO-PFOB. Before plugging your Fob (NEO-PFOB) into your computer's USB® port, be sure that you have installed the NEOCal software on your computer.

Connect the red, green, white and black wires from NEO-7 into the correct terminals on the Fob. Tighten the screws on the terminals. Plug your Fob into the USB® port of your computer.

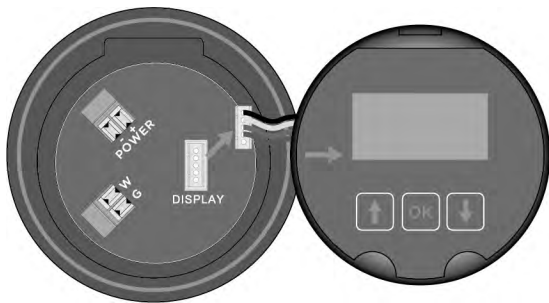
Wiring to Fob (using NEO-PFOB)

NEO-PFOB USB® Fob



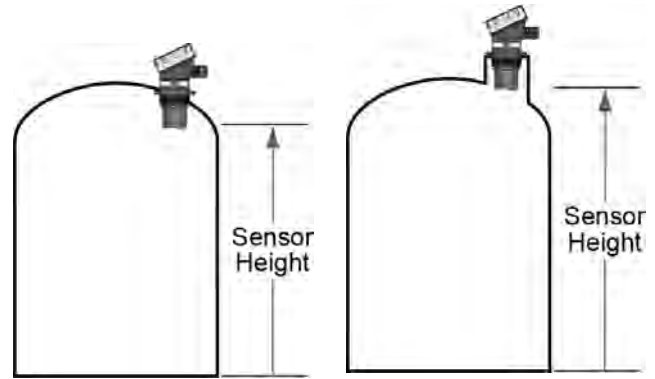
Wiring is identical for all NEO-7 Series – Use only the Red, Black, Green and White wires.

- The **maximum cable distance** between the computer and NEO-7 is **15'**. This only applies for configuring the NEO-7.
- Once NEO-7 is configured and prior to installation, isolate the white and green terminals from active power to prevent a short from the configuration circuit.
- **Note:** When using the Fob, do not add VDC or VAC power. The Fob, when connected to the computer, will provide the required power to the NEO-7.
- **Note:** When connecting the sensor to the NEOCal software, you must remove the display or the software will not connect. Once completed, you can re-connect the display to the terminal.



STEP 2 - MEASURE THE TANK

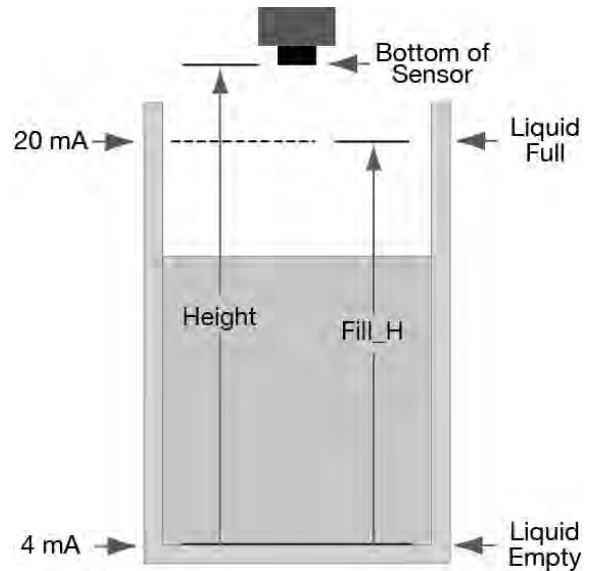
Measuring the tank is one of the most important aspects in configuring the sensor. When measuring the tank, take into account the location of the sensor with respect to fittings, risers, dome tops and bottoms, and identify where the measurements are taken from the sensor. The Sensor Height is influenced by the installation location. Sensors mounted along the sloped portion of the tank will result in a lower (**HEIGHT**) value. On the other hand, sensors installed in risers/nozzles will result in a higher (**HEIGHT**) value.



The basic measurements (**Height** and **Fill-H**) for configuration are described below:

1. **HEIGHT** (Sensor Height) - Distance from the bottom of the tank to the Bottom of Sensor.
 - a. The bottom of the tank will be the sensor's zero level / empty level.
 - b. This setting determines the 4mA location.
2. **FILL-H** (Fill-Height) - Distance from the bottom of the tank to the level of liquid where the tank is full is **FILL-H**.
 - a. The **FILL-H** is typically set to the liquid full level.
 - b. This setting determines the 20 mA location.
 - c. 20mA cannot be set within the sensor's dead band [8" (20cm) from bottom of sensor]. Largest **FILL-H** value will be as follows:

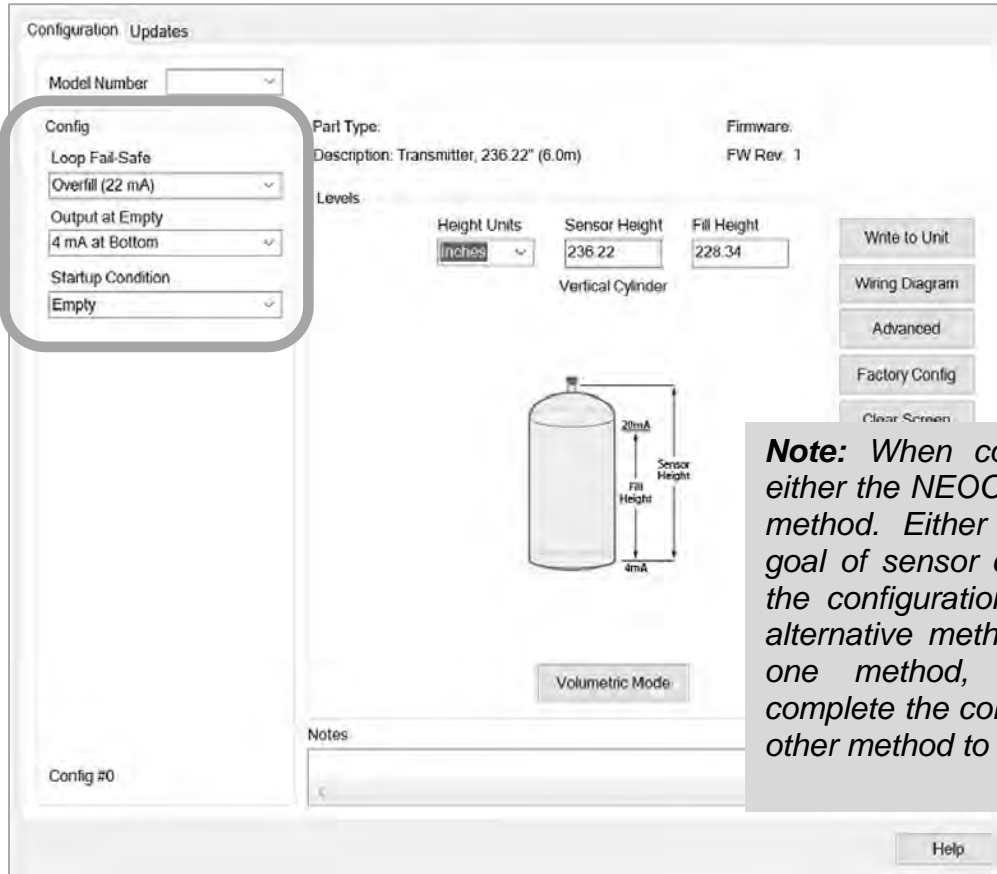
$$\text{Largest FILL-H} = \text{HEIGHT} - 8'' (20\text{cm})$$



With NEO-7 connected to your computer, open the NEOCal software by clicking on the software icon. Follow steps 3-6 to configure the transmitter. Click “Help” in the lower right hand corner and open the help menu of instructions on the NEOCal software.

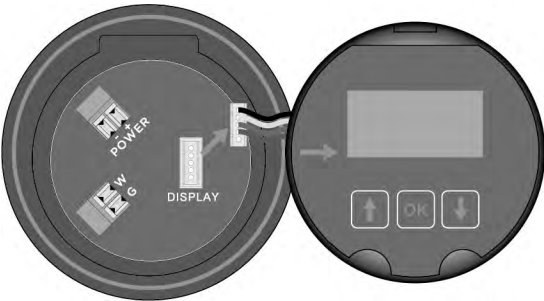
STEP 3 - SENSOR CONFIGURATION:

Configures the Loop Fail-Safe, Output at Empty and Startup Condition for the sensor.



Note: When configuring NEO-7, choose either the NEOCal software or Push Button method. Either method will accomplish the goal of sensor configuration. Changes to the configuration can be made using the alternative method. When beginning with one method, it is recommended to complete the configuration before using the other method to make any adjustments.

Note: When connecting the sensor to the NEOCal software, you must remove the display or the software will not connect. Once completed, you can re-connect the display to the terminal.

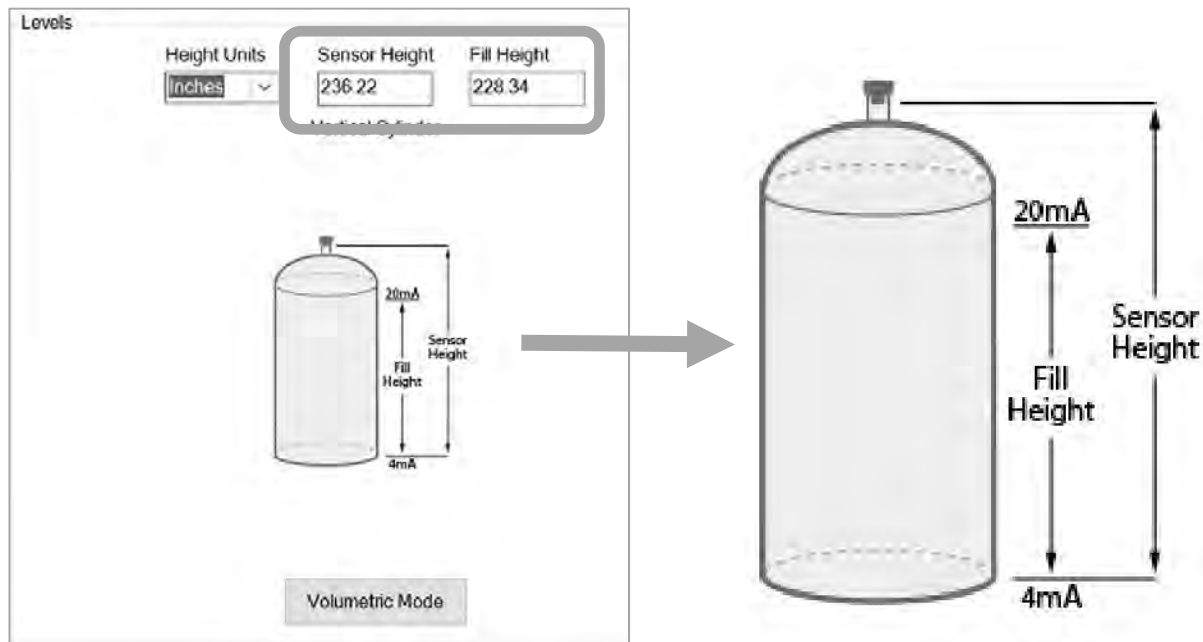


STEP 4 – DIMENSIONAL ENTRY:

Distance Mode (default): Output of sensor is based on the distance (height of liquid) in the tank. Any change in liquid level will reflect linearly to the current output. Note: Most applications will fall into this category. For Volumetric outputs, refer to **VOLUMETRIC CONFIGURATION** on page 40. The two values (Sensor Height and Fill-Height) below set the 4-20 mA current span for the sensor. Both values will be set in the units shown under Height Units.

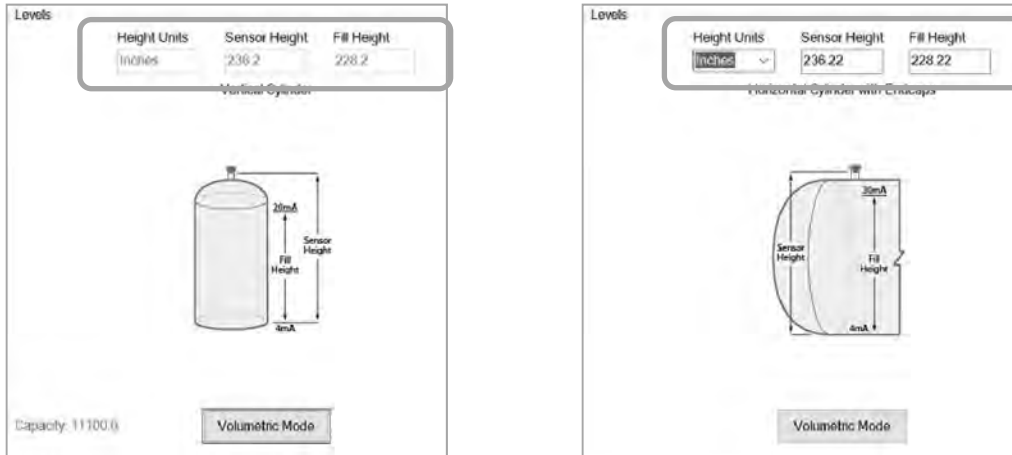
Sensor Height: Sets the location for 4mA. It is based on the distance from the Empty level position (bottom of tank) to the Measurement location for the sensor (bottom of sensor).

Fill-Height: Sets the location for 20mA. It is based on the distance from the Empty level position (bottom of tank) to the Full level position (see below).



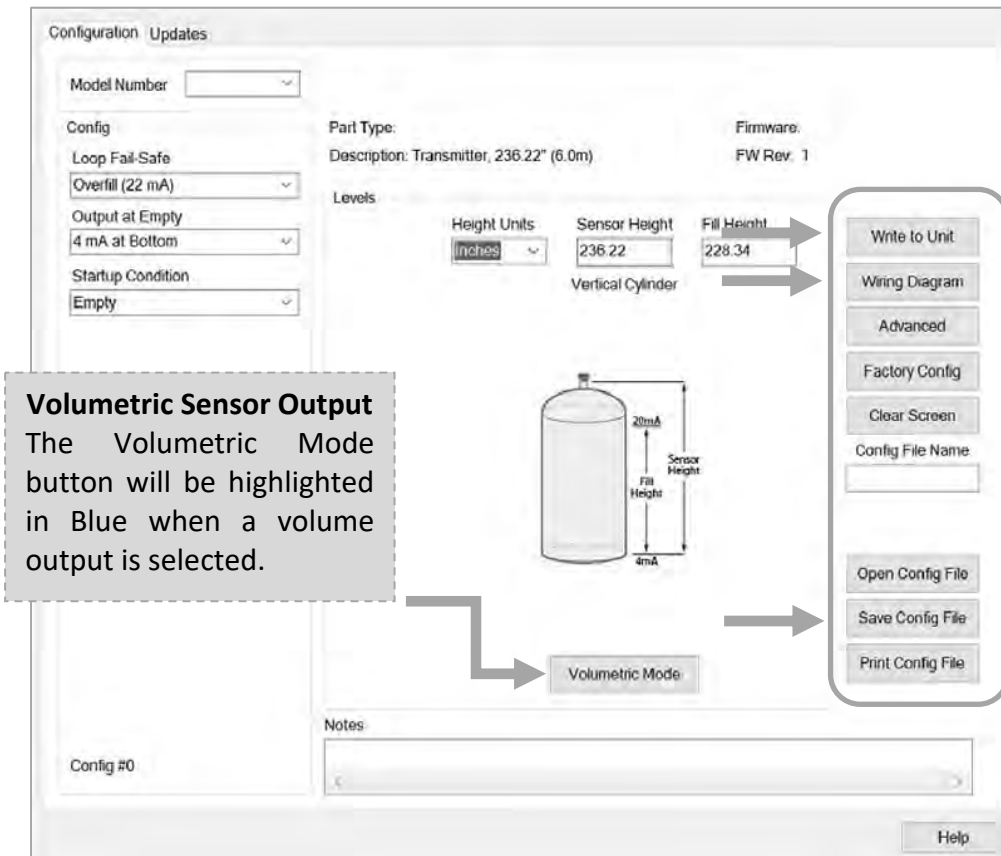
STEP 5 – TANK LEVEL CONFIRMATION:

Verify the Height Units, Sensor Height & Fill-Height. All values were calculated in the previous Dimensional Entry window. To adjust these settings, click on **Volumetric Modes**.



STEP 6 – WRITE TO UNIT:

This NEOCal software operation uploads configuration into the sensor. Other features in the section include providing a custom wiring diagram specific to the signal output and saving the configuration file to your hard drive.



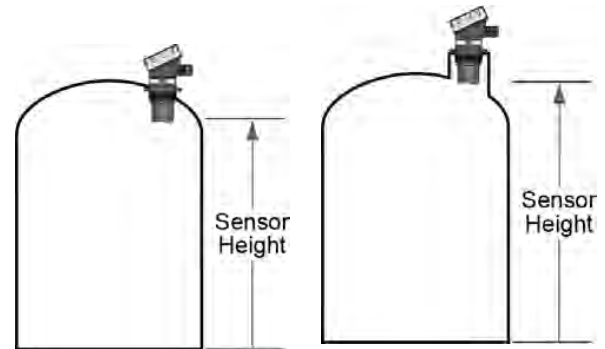
NEO-7 can be configured before installation. The transmitter features non-volatile memory, so any setting configured before installation will not be lost when the switch is powered down. To configure, follow the steps below:

1. Measure the Tank
 - a. Begin by measuring the key tank and fitting dimensions.
 - b. Correct tank dimensions will result in accurate sensor measurement.
2. Set the Units of Measurement (**UNITS**)
 - a. Units can be configured in basic engineering units of length including Feet, Inches, Centimeters or Meters.
3. Set the Sensor Height (**HEIGHT**)
 - a. This is the empty setting (4mA) for the tank.
4. Set the Fill-Height (**FILL-H**)
 - a. This is the full setting (20mA) for the tank.
5. Set the Fail-Safety (**SAFE**)
 - a. This is the maximum measurement range for the sensor. The sensor will ignore all echo returns beyond this setting.

Note: When configuring NEO-7, choose either the NEOCal software or Push Button method. Either method will accomplish the goal of sensor configuration. Changes to the configuration can be made using the alternative method. When beginning with one method, it is recommended to complete the configuration before using the other method to make any adjustments.

STEP 1 - MEASURE THE TANK

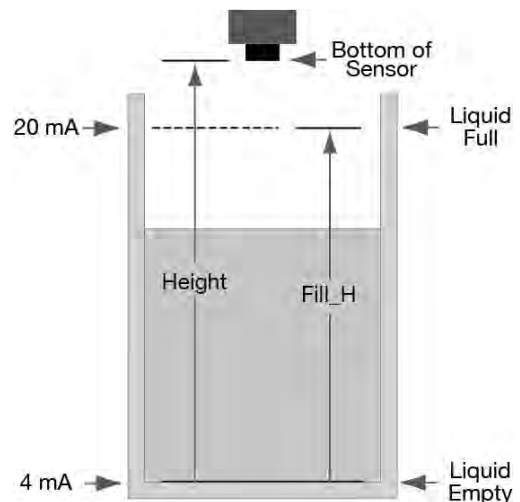
Measuring the tank is one of the most important aspects in configuring the sensor. When measuring the tank, take into account the location of the sensor with respect to fittings, risers, dome tops and bottoms, and identify where the measurements are taken from the sensor. The Sensor Height is influenced by the installation location. Sensors mounted along the sloped portion of the tank will result in a lower (**HEIGHT**) value. On the other hand, sensors installed in risers/nozzles will result in a higher (**HEIGHT**) value.



The basic measurements (**Height** and **Fill-H**) for configuration are described below:

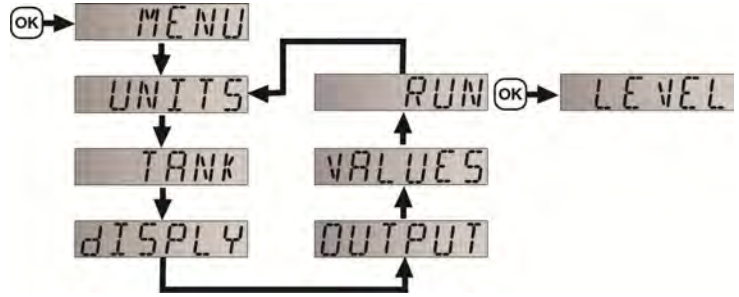
1. **HEIGHT** (Sensor Height) - Distance from the bottom of the tank to the Bottom of Sensor.
 - a. The bottom of the tank will be the sensor's zero level / empty level.
 - b. This setting determines the 4mA location.
2. **FILL-H** (Fill-Height) - Distance from the bottom of the tank to the level of liquid where the tank is full is **FILL-H**.
 - a. The **FILL-H** is typically set to the liquid full level.
 - b. This setting determines the 20 mA location.
 - c. 20mA cannot be set within the sensor's dead band [8" (20cm) from bottom of sensor]. Largest **FILL-H** value will be as follows:

$$\text{Largest FILL-H} = \text{HEIGHT} - 8'' (20\text{cm})$$



TOP-LEVEL MENU

- The TOP-LEVEL MENU will continue to scroll through the items listed to the right until the OK button is pressed.
- To return to the Normal / Operational mode of NEO-7, press OK while **RUN** appears in the display.



How to enter the TOP-LEVEL MENU

1. Press and hold OK (approximately 5 seconds) until **MENU** is displayed.
2. The TOP-LEVEL MENU items will rotate through display.
3. Use OK to choose a MENU item.



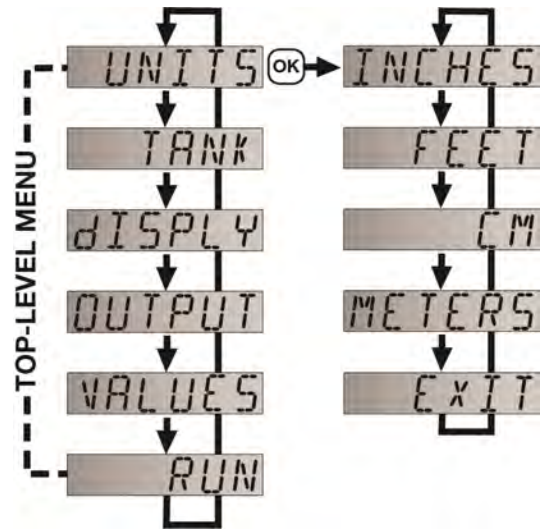
How to exit the TOP-LEVEL MENU

In TOP-LEVEL MENU, press OK when **RUN** appears.

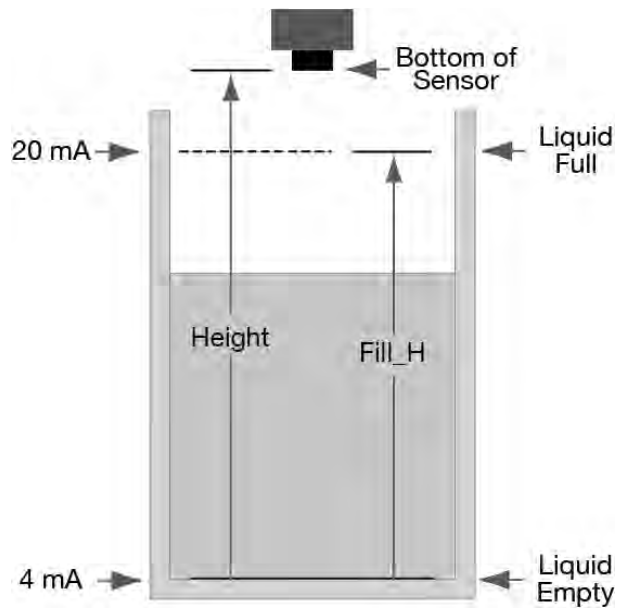
STEP 2 - SETTING THE UNITS OF MEASUREMENT (UNITS)

1. In the TOP-LEVEL MENU mode, select **UNITS**.
2. Press OK to choose between **INCHES**, **CM** (centimeter), **FEET** or **METERS**.
 - a. Press and hold OK on the selected setting for 2 seconds then release.
 - a. To cancel **UNITS**, Select **EXIT**.
3. Select EXIT to return to the TOP-LEVEL MENU.

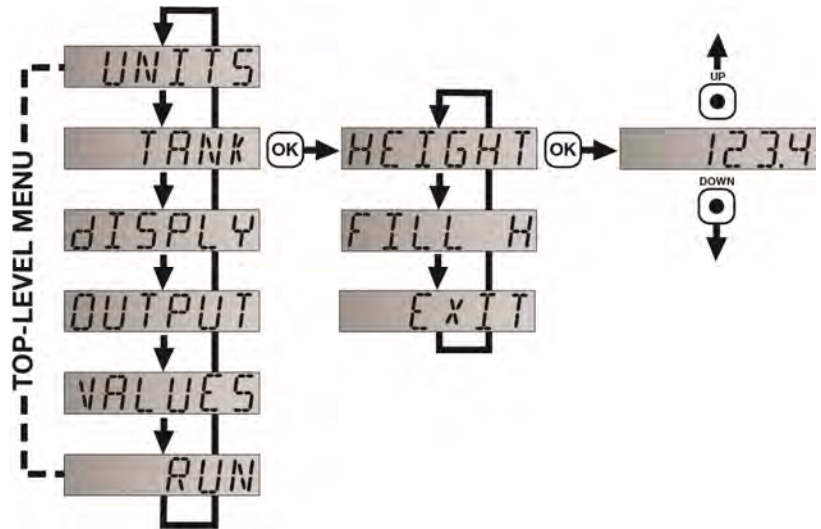
Note: NEO-7 will adjust the display when measurement units are changed under **UNITS**. Example: If you are in inches and the display reads 60.0, the display will change to 5.00 when feet is selected as the unit of measurement.



STEP 3 - SETTING THE HEIGHT (SENSOR HEIGHT)



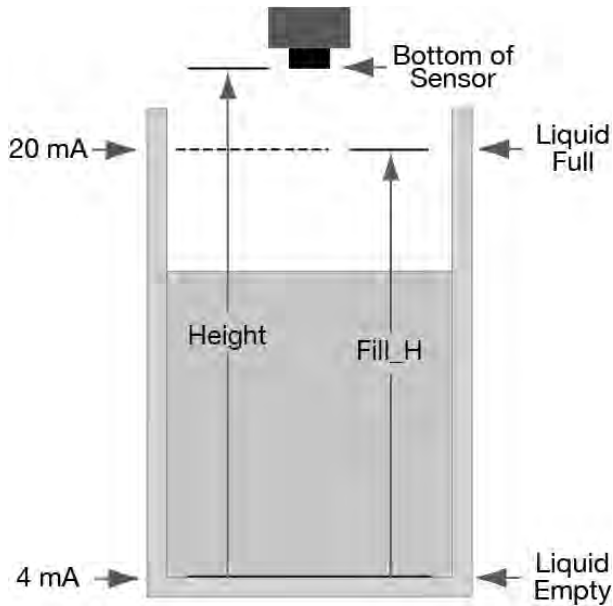
1. In TOP-LEVEL MENU mode, select **TANK**.
2. Select **HEIGHT**.
3. Using the UP and DOWN buttons, set the **HEIGHT** of the tank (transducer face to the bottom of the tank).
4. To enter the value, press and hold OK for 5 seconds and release. **SAVED** will display.
5. Select **EXIT** to return to TOP-LEVEL MENU.



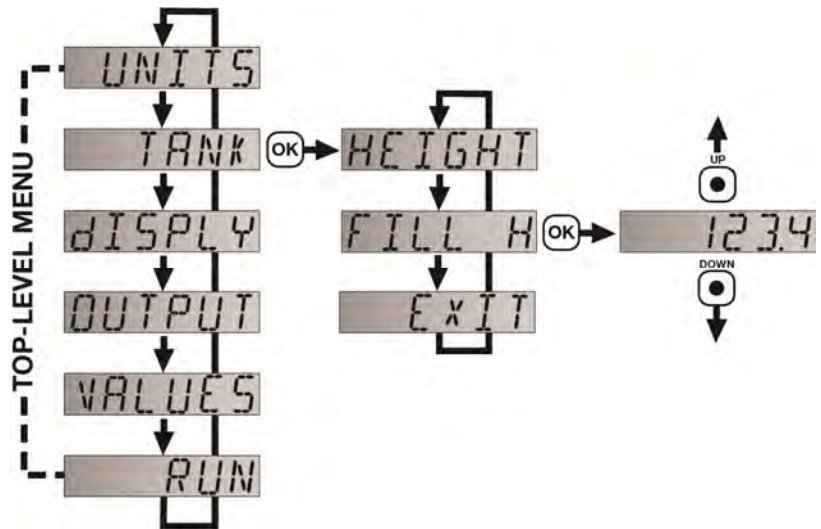
Note: The **HEIGHT** setting also determines the 4 mA current location. To reverse the current output with 20mA at the bottom of the tank, use the **REV MA** function.

Note: To speed up the scrolling of the values on the display, hold down the OK button while holding down the UP or DOWN buttons.

STEP 4 - SETTING THE FILL-H (FILL-HEIGHT)



1. In TOP-LEVEL MENU mode, select **TANK**.
2. Select **FILL-H**.
3. Using the UP and DOWN buttons, set the Fill Height (**FILL-H**) of the tank (max. level of liquid to the bottom of the tank).
4. To enter the value, press and hold OK for 5 seconds and release. **SAVED** will display.
5. Select **EXIT** to return to TOP-LEVEL MENU.



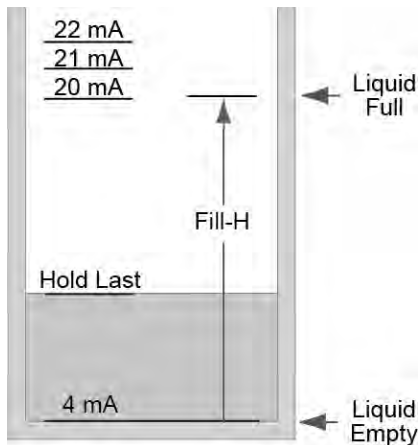
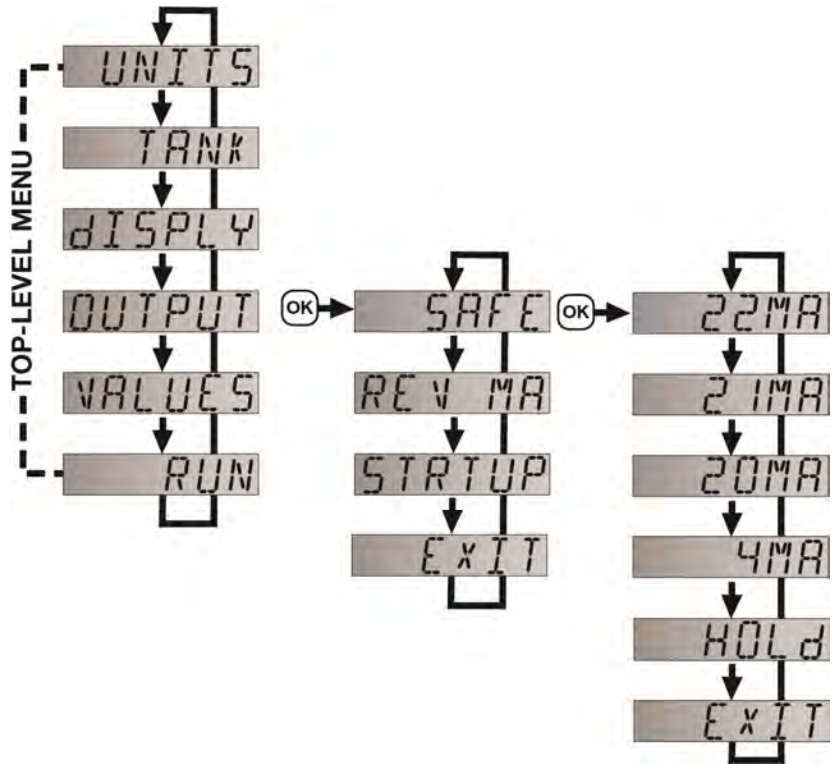
Note: The Fill-Height (**FILL-H**) setting determines the 20 mA current span. To reverse the current output with 4mA being at the top of the tank, use the **REV MA** function.

Note: To speed up the scrolling of the values on the display, hold down the OK button while holding down the UP or DOWN buttons.

STEP 5 - HOW TO SELECT FAIL-SAFE CURRENT OUTPUT (LOST)

In the event the sensor does not receive an echo, the Fail-Safe Current Output or **LOST** setting can be set to output a current of **4mA**, **20mA**, **21mA**, **22mA** or **Hold** (last known value). During fail-safe, the display will read **LOST**.

2. In TOP-LEVEL MENU mode, select **OUTPUT**.
3. Select **SAFE**.
4. Select **4mA**, **20mA**, **21mA**, **22mA** or **HOLD**.
 - a. Press and hold OK on the selected setting for 2 seconds then release.
 - b. To cancel **SAFE**, Select **EXIT**.
5. Select **EXIT** to return to TOP-LEVEL MENU.



NEO-7 should always be mounted perpendicular to the liquid. Make sure that the fitting and transmitter threads are not damaged or worn. Always *hand-tighten* the transmitter within the fitting. Perform an installed leak test under normal process conditions prior to system start up.

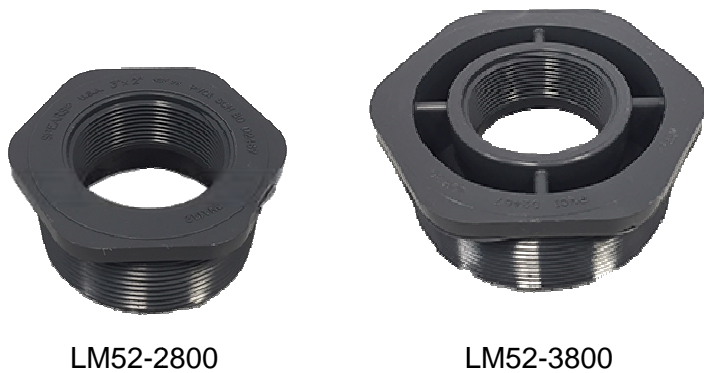
⚠ Warning - Potential Electrostatic Charging Hazard (Handling Static-Sensitive Circuits/Devices): When handling the transmitter, the technician should follow these guidelines to reduce any possible electrostatic charge build-up on the technician’s body and the electronic part.

1. Always touch a known good ground source before handling the part. This should be repeated while handling the part and more frequently after sitting down from a standing position, sliding across the seat or walking a distance.
2. Avoid touching electrical terminals of the part unless making connections.
3. DO NOT open the unit cover until it is time to calibrate.

MOUNTING GUIDE

1. Do not mount at an angle
2. Liquid should never enter the dead band
3. Side Wall:
 - a. Mount at least 3” from the side wall
4. Do not mount where obstacles will intrude on sensor’s beam width
 - a. mount at least 3” from the side wall
5. Do not mount in a vacuum
6. Do not mount in the center of a dome top tank.
7. In cone bottom tank, position the sensor over the deepest part of the tank.

Installation in existing fittings: If the existing fitting is larger than the threads of the NEO-7, select a reducer bushing such as a 3” thread x 2” thread or 4” thread x 2” thread.



<p><i>Do not install at an angle relative to the liquid.</i></p>	
<p><i>Do not install within 3” of tank sidewall.</i></p>	
<p><i>Do not install with objects in the beam.</i></p>	
<p><i>Do not install in applications with vacuum.</i></p>	
<p><i>Do not install in the center of a dome top tank.</i></p>	

FITTING SELECTION

Check the part number to determine the required fitting mount size and thread type. NEO-7 is commonly installed in tank adapters, flanges, brackets or standpipes.

1. **Tank Adapter:** Select a tank adapter fitting, such as the 2", 3" or 4" tank adapter.
 - a. *For best results, select a 3" tank adapter and add a reducer bushing such as a 3" x 2" reducer bushing.*
 - b. Avoid tank adapter (thread x thread) styles and/or pipe stops forward of the installed transducer.
 - c. Always mount the tank adapter so the majority of fitting is outside the tank.
 - i. **Note:** *Never mount the tank adapter upside down or where the bulk of the material is inside the tank.*

**2" Tank Adapter
Socket x Thread**



**Tank Adapter
w/ 3"x2" Reducer Bushing**



**3" Tank Adapter
Socket x Thread**

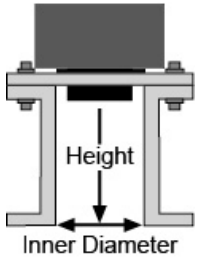


**Tank Adapter
Thread x Thread**



**Do not use
thread x thread**

2. **Riser:** Installations with tall, narrow risers can impede the acoustic signal.
 - a. **Core Out Concrete:** Applications where a tank with a concrete ceiling that has been cored out can also be considered as a riser type application. In these applications follow a 2:1 ratio (Inner Diameter to Core Height) for the diameter of the core.
 - a. 3" (7.6 cm) diameter risers (minimum diameter) should be no taller than 6" (15 cm). Larger diameter risers should be no taller than 18" (40 cm).

	Riser Specifications	
	Inner Diameter	Maximum Height
	3" (7.6cm)	6" (15cm)
	4" (10cm)	8" (20cm)
	6" (15cm)	12" (30cm)
	8" (20cm)	16" (40cm)

Note: Do not exceed the dimensions listed above.



Note: If attempting to raise the sensor above the top of the tank to allow for a higher fill capacity, avoid the use of tall and narrow risers. The example to the left exceeds the dimensions listed in the **Riser Specifications** chart. Use a larger tank adapter which takes into account the **Riser Specifications**.

3. **Flange:** If installing on a flange, select a flange with a thread that matches the thread on the NEO-7.
 - a. Use a flange with a 3" thread and add a 3" to 2" reducer bushing to complete the installation.

2" Flange



3" Flange w/ Reducer Bushing

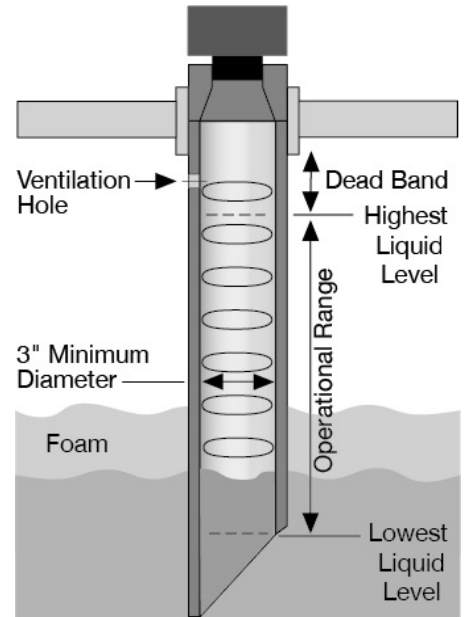


3" Flange

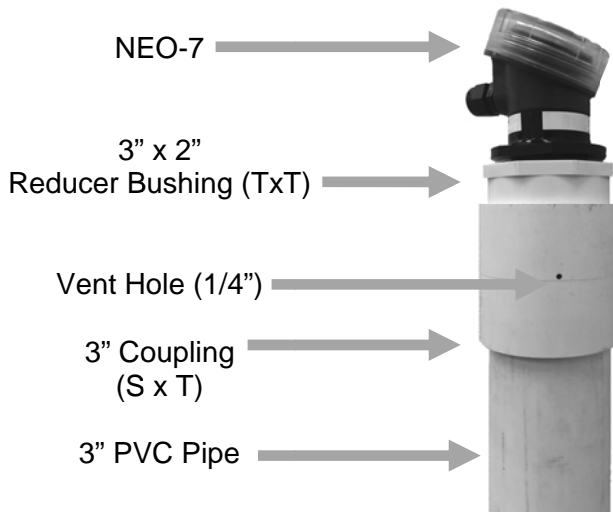


4. **Stand Pipe:** A standpipe maybe used to dampen turbulence or when foam is present in the application.

- a) Pipe can be constructed from any material.
- b) Select a minimum 3" ID pipe or greater for the stand pipe.
 - i) Select a minimum 4" ID pipe for the NEO-7012 series.
- c) Use a coupling and reducer bushing to attach the NEO-7 to the pipe.
 - i) Use a reducer bushing such as a 3" Thread x 2" Thread fitting or a Slip x 2" Thread fitting.
- d) The pipe length should run the measurement span. The bottom of the pipe should remain submerged at all times to prevent foam from entering the pipe.
- e) Cut a 45° notch at the bottom of the pipe. Drill a 1/4" pressure equalization hole in the dead band.
- f) The pumps should not drive liquid past the open end of the stand pipe which causes the liquid in the pipe to oscillate.



Note: Never allow the bottom of the stand pipe to become exposed to air. This will break the liquid seal which will prevent echoes from returning back to the sensor.



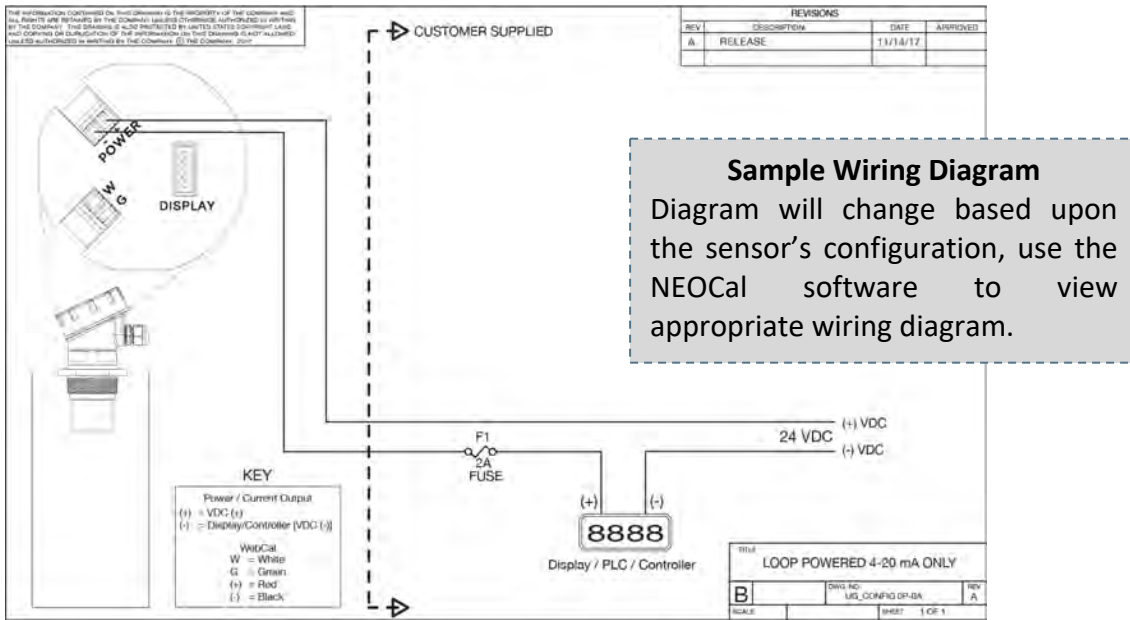
NEO-7 attached to a 3" x 2" reducer bushing to a Slip x Thread 3" Coupling.



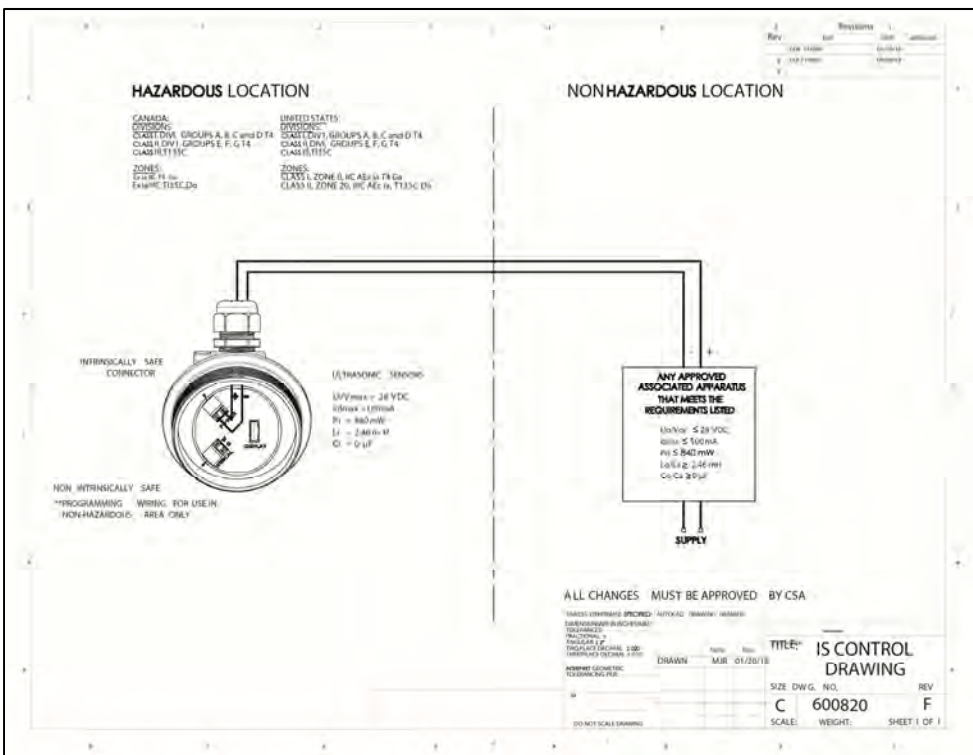
ANALOG OUTPUT (4-20 MA)

The analog output of the NEO-7 is a loop powered 4-20 mA control circuit. The typical way to use this feature is to connect a positive supply to the (+) input and to sense the current flow out of the (-) output.

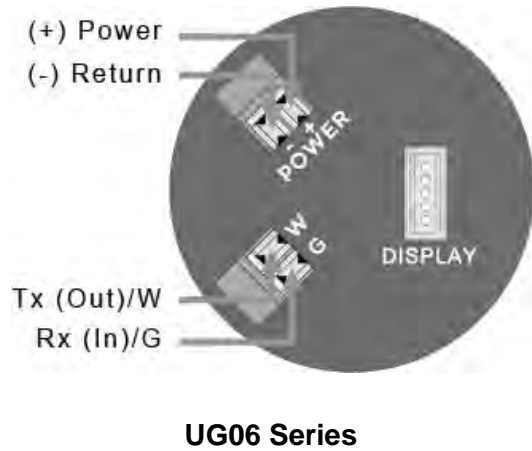
WIRING DIAGRAM – SAMPLE NEO-7006 & NEO-7012 ONLY



WIRING DIAGRAM – SAMPLE NEO-7006IS & NEO-7012IS ONLY



WIRE CONNECTIONS

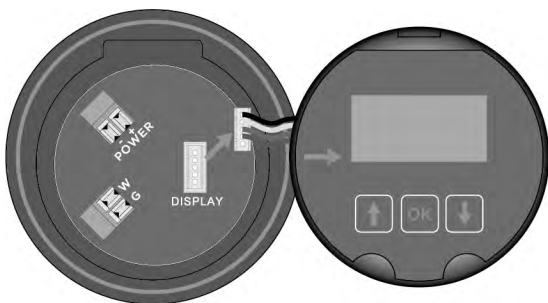


(+) Power & (-) Return: (+) Power and (-) Return leads are for connection to a 24 VDC power supply or to a 4-20 mA loop power source. The (+) and (-) wires can be extended up to 1,000 feet using a 22-gauge or larger wire.

(W) Tx (Out) & (G) Rx (In): (W) Tx and (G) Rx leads are reserved for use with configuration. These wires should only be connected to one device at a time. In addition, these wires should not be connected to the NEOCal software while power is supplied from any source other than the NEO-PFOB. The maximum cable distance between the computer and NEO-7 is 15'. **Note:** Never allow the white or green wires to touch any power supply.

GENERAL NOTES FOR ELECTRICAL CONNECTIONS, USAGE AND SAFETY

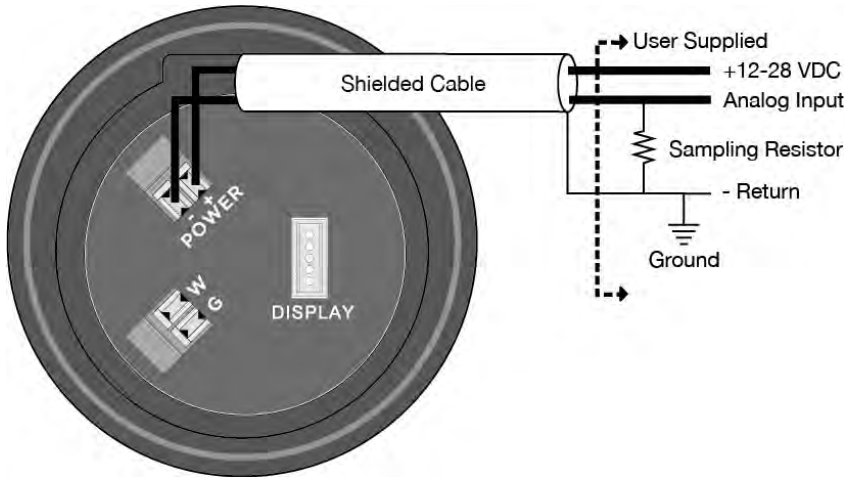
- **Where personal safety or significant property damage can occur due to a spill, the installation must have a redundant backup safety system.**
- Wiring should always be completed by a licensed electrician.
- Supply voltage should never exceed 28 VDC.
- Use 16 to 24 AWG for connecting to terminals.
- Protect the sensor from excessive electrical spikes by isolating the power, whenever possible.
- The sensor materials must be chemically compatible with the liquids to be measured.
- Design a fail-safe system for possible sensor and/or power failure.
 - During power failure, relays will remain in their current state and will not change until power is restored and the signal is reacquired.
- **Note:** When connecting the sensor to the NEOCal software, you must remove the display or the software will not connect. Once completed, you can re-connect the display to the terminal.



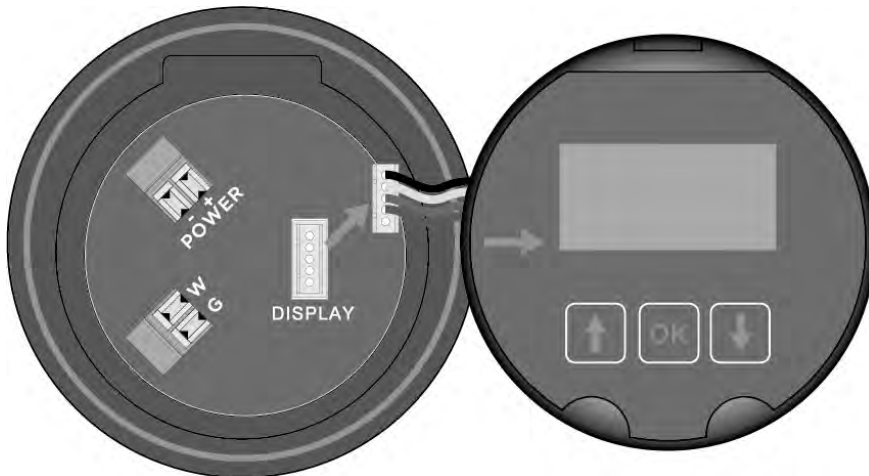
- **Never use the sensor in environments classified as hazardous.**

ANALOG OUTPUT

The analog output of the NEO-7 is a loop powered 4-20 mA control circuit. The typical way to use this feature is to connect a positive supply to the Power (+) input terminal and to sense the current flow out of the Power (-) output terminal with a sampling resistor as shown in the following diagram.



The cabling should be a shielded twisted pair to minimize EMI interference. Typically 20 to 24 gauge wire is used in this application. To access the terminals, gently remove the display from the housing.

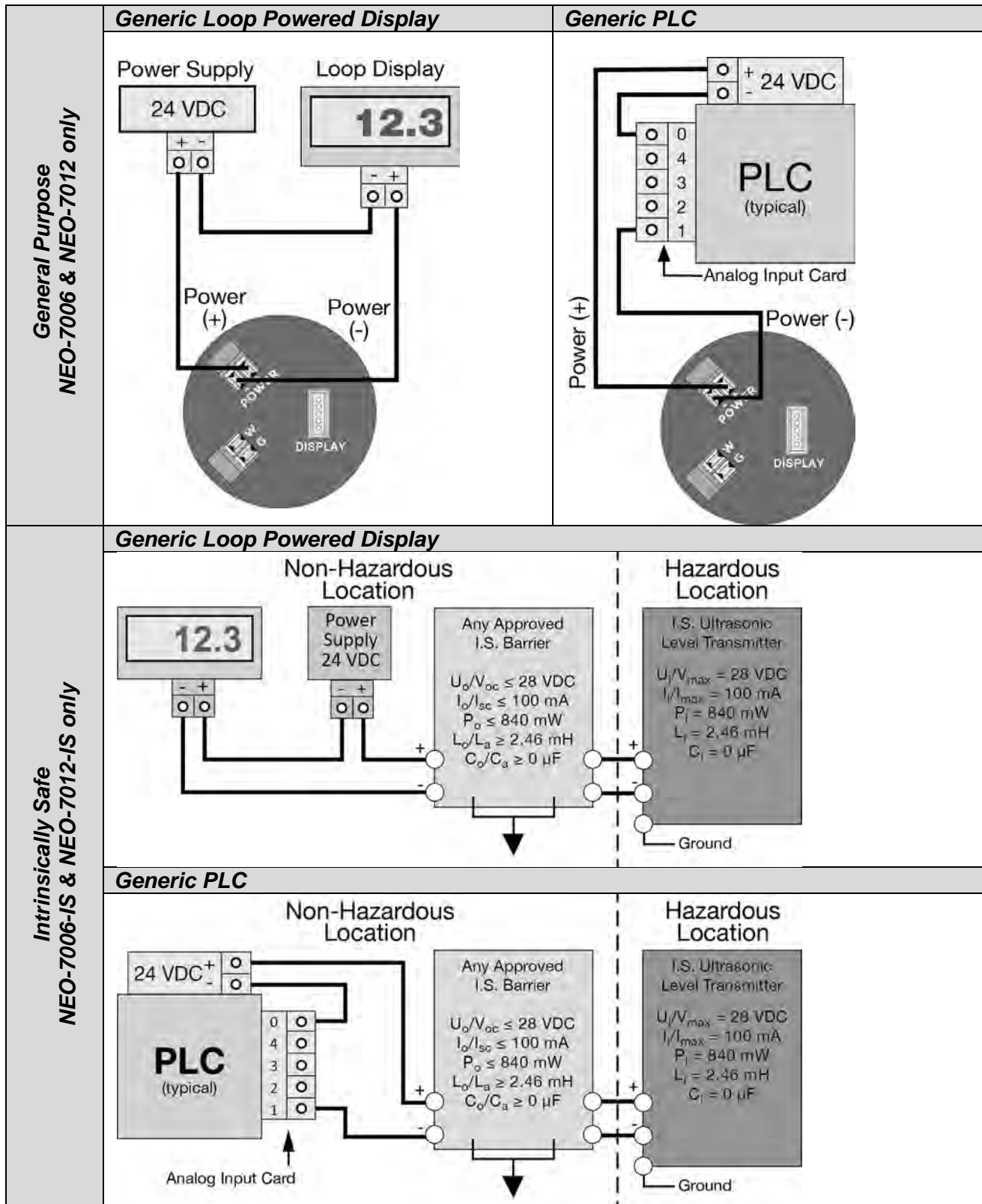


When wiring is completed, restore the display to the housing and replace the cover.

- ⚠ The NEO-7 series can operate without the display. When wired and powered correctly, the sensor will continue to provide a proportional 4-20 mA signal.

COMMON WIRING TO DISPLAYS, CONTROLLERS & PLC'S

Below is a quick review of wiring the NEO-7 to common displays and PLC's.



This section of the NEOCal software is where you select the sensor configuration settings. Start from the top and work to the bottom, choosing the selections that are applicable to your application. All configuration settings must be selected before you can continue to the next step.

SENSOR CONFIGURATION

LOOP FAIL-SAFE

This feature allows you to select the fail-safe current output if the sensor loses echo confidence (LOST). When the sensor regains echo confidence, the output current will revert back to the current level condition.

- **Hold Last Value** - The output will remain in the same state as the last validated echo detected. Example: If the output was 6.7mA just prior to the lost signal, the sensor will continue to output 6.7mA until echo confidence is regained.
- **Empty** - The output will revert to the current value for an empty condition. When **4 mA at Bottom** is selected, the sensor will output 4 mA during a fail-safe condition. If **20 mA at Bottom** is selected, the sensor will output 20 mA during a fail-safe condition.
- **Full** - The output will revert to the current value for a full condition. When **4 mA at Bottom** is selected, the sensor will output 20 mA during a fail-safe condition. If **20 mA at Bottom** is selected, the sensor will output 4 mA during a fail-safe condition.
- **Overfill (21mA)** - The sensor will output 21mA during a fail-safe condition.
- **Overfill (22mA)** - The sensor will output 22mA during a fail-safe condition.

OUTPUT AT EMPTY

This feature allows you to select the orientation of the 4 to 20mA output (4 to 20 mA or 20 to 4 mA). Choose which output setting best fits the application. Factory default is 4mA at bottom and 20mA at top, as this configuration scenario is an industry standard. *When connecting your sensor to a display, you must account for your output orientation setting.*

- **4mA at Bottom** - The output current will be 4mA when the sensor measures an empty tank and 20mA when the sensor measures a full tank.
- **20mA at Bottom** - The output current will be 20mA when the sensor measures an empty tank and 4mA when the sensor measures a full tank.

Note: Right click on any item to open the help menu.

Note: To reset the configuration table, press the Clear Screen button

SENSOR CONFIGURATION (CONTINUED)

Config	
Loop Fail-Safe	Overfill (22 mA)
Output at Empty	4 mA at Bottom
Startup Condition	Empty

Config #0

STARTUP CONDITION

This feature allows you to select the startup current when power is first applied to the sensor. The sensor will consume the selected power while it is acquiring the liquid level. When the correct level has been identified, the output will adjust to the level output. Use this feature to avoid false alarms with the controller when power is first applied to the sensor.

- **Empty** - The current output will revert to the selected current value for an empty condition.
 - **4 mA at Bottom** - The sensor will output 4 mA while the sensor powers up.
 - **20 mA at Bottom** - The sensor will output 20 mA while the sensor powers up.
- **Mid Tank (12 mA)** – The sensor will output 12 mA while the sensor powers up.
- **Full** - The output will revert to the selected current value for a full condition.
 - **4 mA at Bottom** - The sensor will output 20 mA while powering up.
 - **20 mA at Bottom** - The sensor will output 4 mA while the sensor powers up.
- **Overfill (22mA)** - The sensor will output 22mA while the sensor powers up.

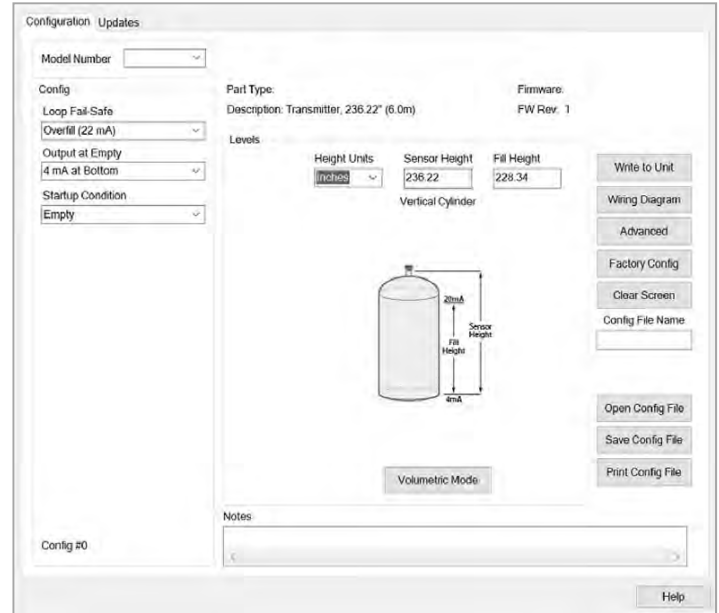
Note: Right click on any tem to open the help menu.

Note: To reset the configuration table, press the Clear Screen button

VOLUMETRIC CONFIGURATION

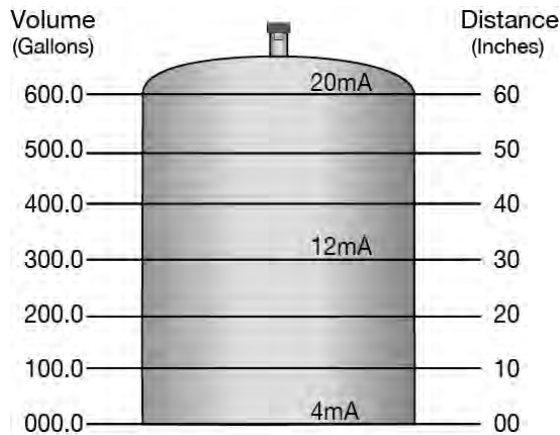
The sensor may be configured in volumetric units (Gallons or Liters) or Distance (Height of Liquid) units (inches, cm, feet or meters). The NEOCal will default to Distance (Height of Liquid) with units of Inches. To change units or change from Distance to Volume, press the Volumetric Mode button as located near the center of the window.

Distance (Height of Liquid): When this is selected, the sensor will always output a linear output proportional to the height of liquid (regardless of the tank shape). In the two drawings below, the Sensor High is set to 64" and Fill-Height is set to 60". If the tank is empty, the sensor will output 4mA. If the level is at 30", then the sensor will output 12mA. Either tank can be configured with a display from 0" to 60" and the sensor will always output the height of liquid.



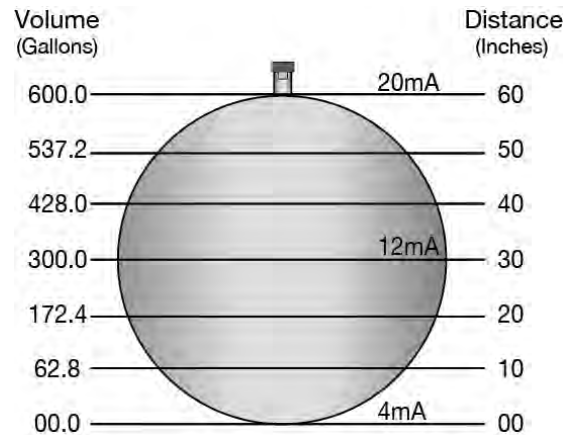
Volume: When volume is selected, the 4-20 mA output from the sensor will be proportional to the volume of the tank, not the height of the tank. This means that the current output will track the volume of the tank (in gallons or liters). Depending on the shape of the tank, the values may be a linear or non-linear scale. In the same examples below, the sensors are also configured with SH = 64" and FH = 60". The current output in a linear tank will act as expected with volume increase matching equal changes to level. However, the current output in the Non-Linear tank will reflect the actual changes in volume. So even though the liquid height changes incrementally the same amount, the volume change will adjust throughout the entire span of the tank. The advantage of this is that sensor does all the math so you can read tank volume using a simple two-point display/controller.

Linear Tank Example



Note: In the above illustration, 10" of liquid will always be equal to 100 gallons of liquid (1" = 10 gallons).

Non-Linear Tank Example



Note: In the above illustration, 1" of liquid does not equal 10 gallons. The 10" at the bottom represents a rise of 62.8 gallons. As a change between 10" and 20" represents an increase of 109.6 gallons (i.e. 172.4 gallons – 62.8 gallons).

Shape Selection Window: This window will show the different tank shape options available with the NEOCal software.

- **Vertical Cylinder**
- **Vertical Cylinder with Cone Bottom**
- **Horizontal Cylinder with End caps**
- **Horizontal Cylinder with Spherical Ends**
- **Spherical**
- **Rectangular**
- **Strapping Table** – Use this feature for manual entry of measured tank distances and volumes.



Select any of the above tank shapes and press OK to confirm.

A. **Dimensional Entry – Vertical Cylinder Example:** Choose the Sensor Output Units as Distance or Volume. After choosing the Sensor Output Units, select the units of measurement in the pull down to the left.



Units of Measurement	
Distance	Volume
Inches	Gallons Liters
Cm	
Feet	
Meters	

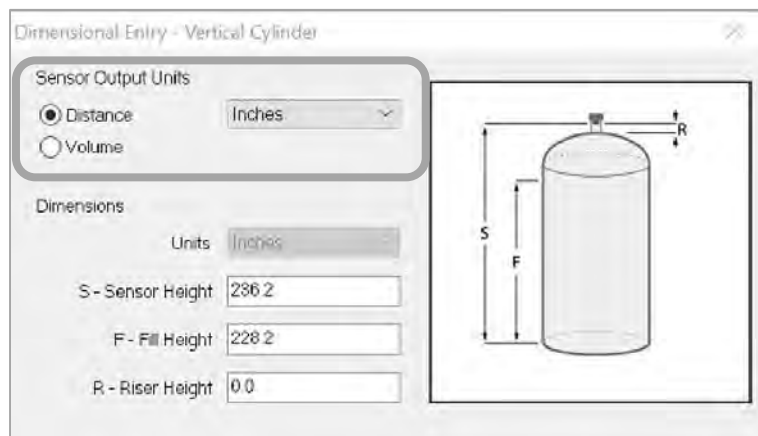
Distance – Sensor Output Units (Vertical Cylinder Example):

Enter the dimensions of the tank. You must enter data in all fields shown.

Sensor Height: Distance from the bottom of the tank to the bottom of the sensor.

Fill Height: Distance from the bottom of the tank to the operational full level of liquid (20mA). This setting defines the location of full current output and is the top of the sensor’s measurement range.

Riser Height: Distance the sensor is above the top of the tank (including all fittings). Measured from the bottom of the sensor.



Volume – Sensor Output Units (Vertical Cylinder Example):

Enter the dimensions of the tank. You must enter data in all fields shown.

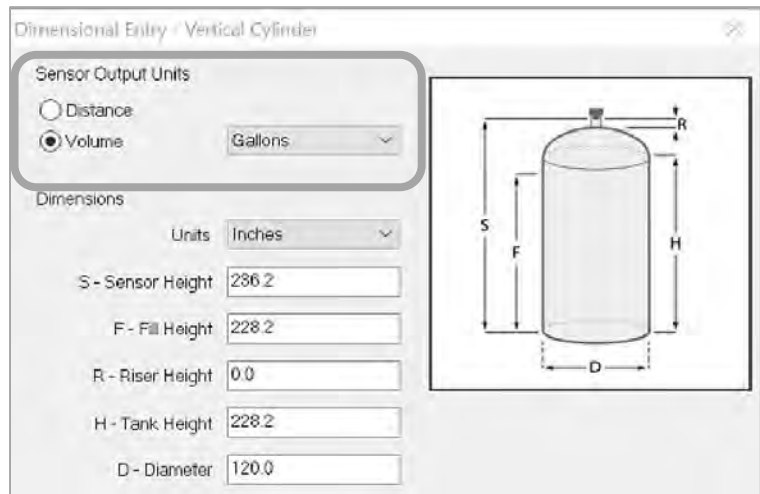
Sensor Height: Distance from the bottom of the tank to the bottom of the sensor.

Fill Height: Distance from the bottom of the tank to the operational full level of liquid (20mA). This setting defines the location of full current output and is the top of the sensor’s measurement range.

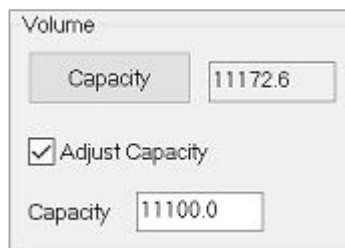
Riser Height: Distance the sensor is above the top of the tank (including all fittings). Measured from the bottom of the sensor.

Tank Height: Distance from the bottom of the tank to the top of the straight side wall.

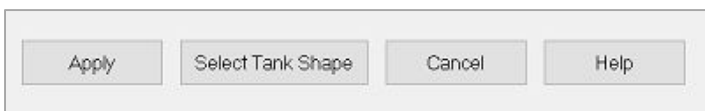
Diameter: Distance of the inside tank diameter.



Volume – Tank Capacity (Vertical Cylinder Example): After entering the dimensions, press the Capacity button to show the Calculated Capacity of the tank. If the Calculated Capacity is slightly different than the expected capacity, click on the Adjust Capacity box and enter the expected capacity of the tank. If the Adjusted Capacity is more than 10% of the Calculated Capacity, recheck the dimensions information entered above.



When all dimensions are entered, press the Apply button to return to the previous Configuration window.



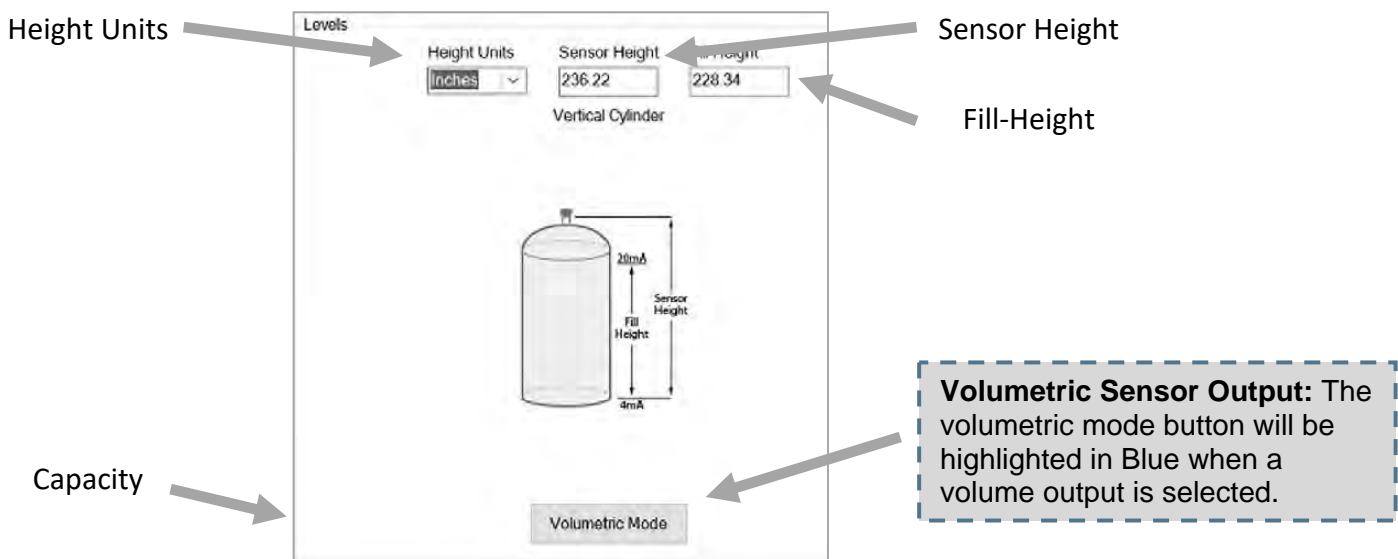
- **Apply** – Transfers the dimensions to the original Configuration window.
- **Tanks** – Returns to the previous Shape Selection window.
- **Cancel** – Returns to the Configuration window without saving any information.
- **Help** – Jumps to the Help menu.

TANK LEVEL CONFIRMATION

This section of the NEOcal software is where you confirm the values set in the previous step. The values were entered under the Dimensional entry window. To edit these settings, you must go back to the Dimensional entry window via the Volumetric Mode button.

- **Height Units:** Units selected for configuration. When used as a device to measure the distance (height of liquid), the options are inches, cm, feet or m. When used as a device to measure the volume of liquid, the options are gallons or liters.
- **Sensor Height:** Distance from the bottom of the tank to the bottom of the sensor.
- **Fill-Height:** Distance from the bottom of the tank to the operational full level of liquid (20mA). This setting defines the location of full current output and is the top of the sensor's measurement range.
- **Capacity:** The total volume of the tank. Only shown when gallons or liters are selected.

Note: By extending the empty (4mA) to the bottom of the tank, the 4-20 mA output will track the volume of the tank. This allows any local display to read the actual volume of liquid without the need for any unique configuration. This feature is very useful with any non-linear tanks such as horizontal, spherical or tanks with cone bottoms.



WRITE TO UNIT

After you have entered configurations, selected and configured the Tank Shape and entered the Tank Values, click **“Write to Unit”** and load the configuration into the memory of the sensor. When completed, this configuration will remain inside the sensor memory and will not change unless the sensor is connected to the NEOCal software and a new configuration is written to the sensor. Loss of power will not change or lose the configuration within sensor memory.

Next, use the file management features to save your configuration by clicking **“Save Config File”** and print your wiring diagram by clicking **“Wiring Diagram.”**

“Save Config File” will save this configuration as a text file which can be loaded back into the NEOCal software by pressing the **“Open Config File”** button. It is good practice to save the configuration file for each different configuration with a unique name for easy identification. If using multiple sensors in identical applications, then use of a single configuration file is recommended.

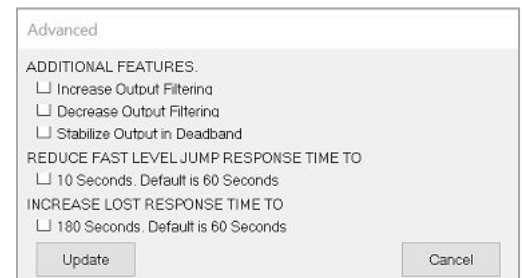
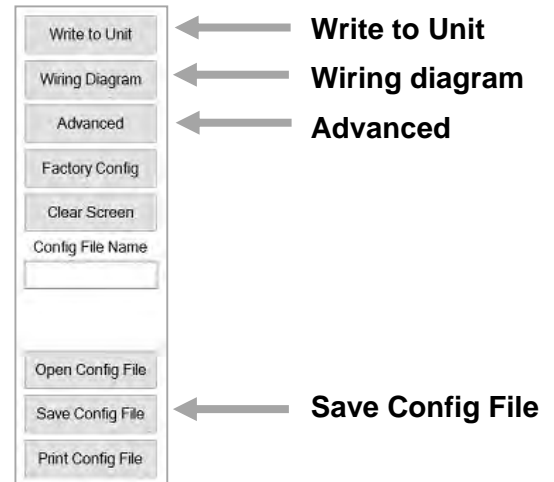
“Wiring Diagram” will display a PDF file showing the unique wiring for the specific configuration created in the NEOCal software. The PDF can be printed or emailed. It is good practice to save the wiring diagram as a backup.

“Advanced” is a feature setting designed to help solve performance or operational issues for specific applications. Changing these setting will alter the factory default performance or operation, of your sensor.

- **Increase Output Filtering:** Placing a check mark in the box will increase the filtering (averaging) of the analog output. Use this filter if the 4 to 20 mA output requires a smoother output for the application such as open channel flow measurement.
- **Decrease Output Filtering:** Placing a check mark in the box will eliminate all filtering (averaging) of the analog output which enables a pulse by pulse level reading. Use this filter to see changes in level after every echo pulse.

Note: Never check increase output filtering and decrease output filtering at the same time.

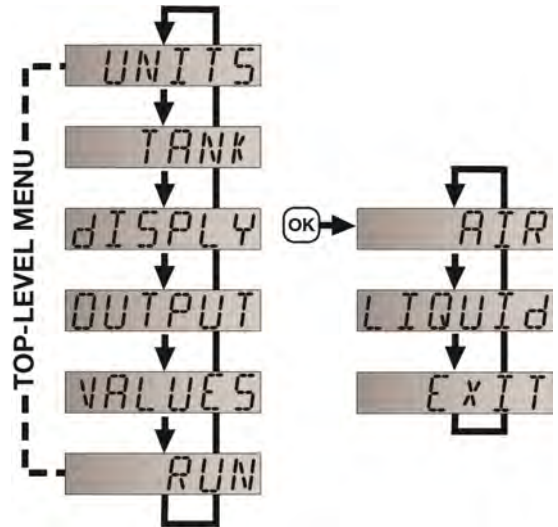
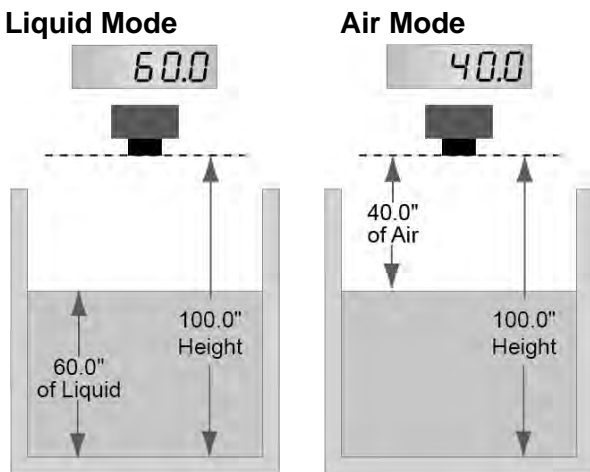
- **Stabilize Output in Dead Band:** Placing a check mark in the box will activate a filter to hold the output at Full if the level enters the dead band of the NEO-7. This filter requires the level to leave the dead band at a smooth and steady rate.
- **Reduce Fast Level Jump Response Time:** Changes the sensor’s response time from 60 seconds to 10 seconds. This filter prevents the sensor from making a quick jump in level if a false signal suddenly appears. Change the response time if application involves expected quick level changes.
- **Increase LOST Response Time:** Changes the sensor’s response time from 60 seconds to 180 seconds. This filter sets the time the sensor waits before entering a LOST state. Change the response time if you want to delay the sensor from stating LOST.



AIR GAP VS. LIQUID LEVEL (HOW TO SELECT THE DISPLAY SETTING)

The display can be made to display either the height of liquid in the tank (**LIQUID** mode) or the amount of air in the tank (**AIR** mode). This function does not influence the current output, just the display on the sensor.

1. In TOP-LEVEL MENU mode, select **DISPLAY**.
2. Select **LIQUID** or **AIR**.
 - a. Press and hold OK on the selected setting for 2 seconds then release.
 - b. To cancel **DISPLAY**, Select **EXIT**.
3. Select **EXIT** to return to TOP-LEVEL MENU.

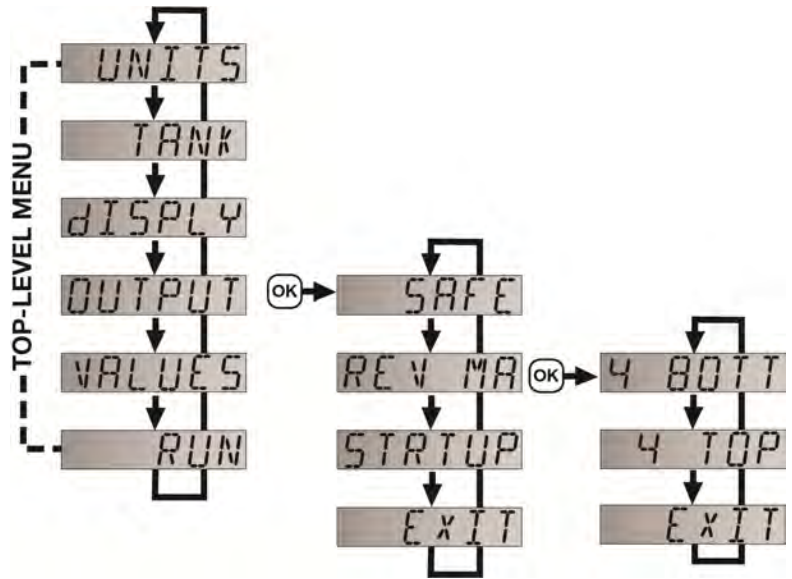
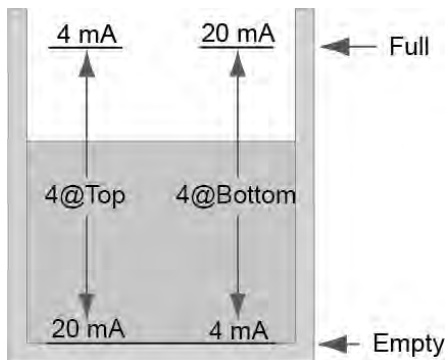


HOW TO REVERSE THE CURRENT OUTPUT

The factory setting for NEO-7 has 4mA set at the bottom of the tank and 20mA at the top. If the application requires this output to be reversed (20mA at bottom and 4mA at top), then use the REV MA setting to reverse the current output.

- With **REV MA** set to **NORM** (factory default), 4mA will be at the bottom and 20 mA at the top of the tank.
- With **REV MA** set to **REV**, 20mA will be at the bottom and 4mA at the top of the tank.

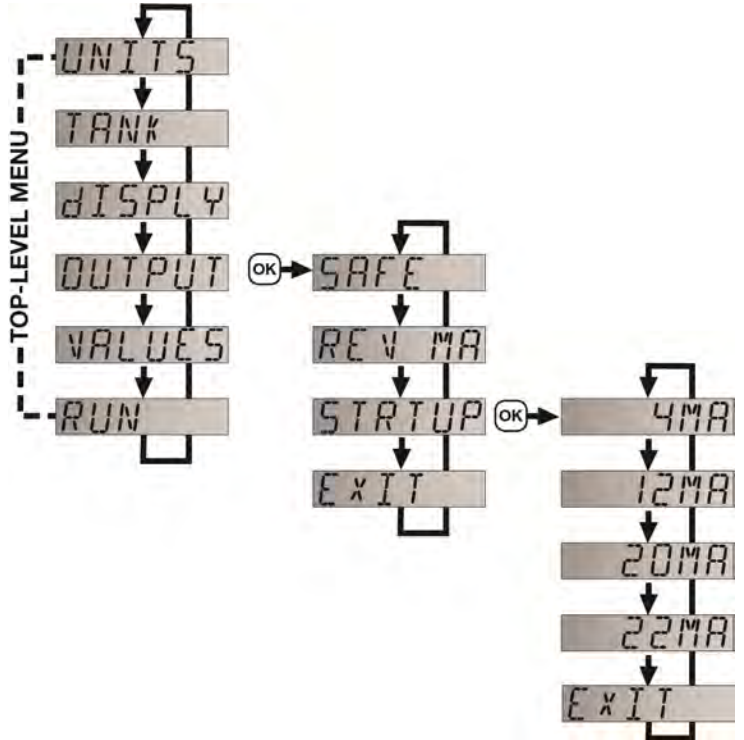
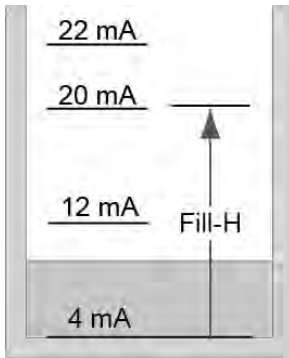
1. In TOP-LEVEL MENU mode, select **OUTPUT**.
2. Select **REV MA**.
3. Select **4 BOTT** or **4 TOP**.
 - a. Press and hold OK on the selected setting for 2 seconds then release.
 - b. To cancel **REV MA**, Select **EXIT**.
4. Select **EXIT** to return to TOP-LEVEL MENU.



HOW TO SETUP THE START-UP POWER (STRTUP)

During the window of time between when power is first applied to the sensor and the sensor acquires the level reading, the output current can be preset in order to avoid any false alarms during this window. The options for start-up are 4mA, 12mA, 20mA or 22mA.

1. In TOP-LEVEL MENU mode, select **OUTPUT**.
2. Select **STRTUP**.
3. Select **4mA**, **12mA**, **20mA** or **22mA**.
 - a. Press and hold OK on the selected setting for 2 seconds then release.
 - b. To cancel **STRTUP**, Select **EXIT**.
4. Select **EXIT** to return to TOP-LEVEL MENU.



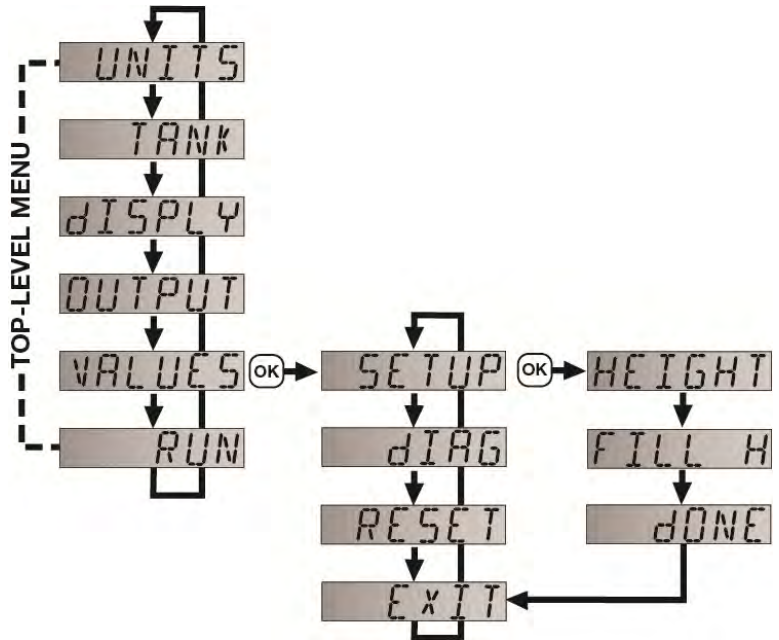
VALUES MENU

Functions include providing setup information (SETUP), a diagnostic to be used in conjunction with a KOBOLD Instruments Representative (DIAG) and the ability to reset the NEO-7 (RESET).

SETUP

Will display the configuration settings for NEO-7.

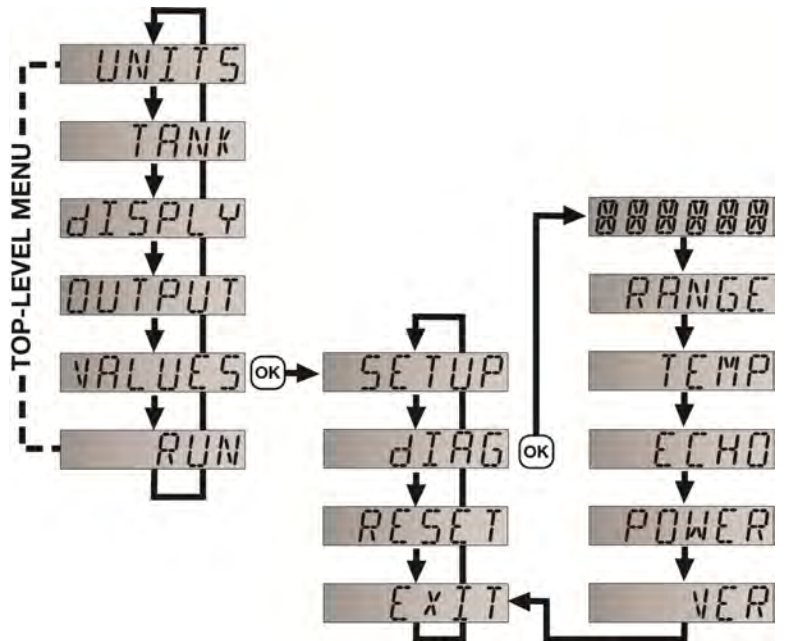
1. In TOP-LEVEL MENU mode, select **VALUES**.
2. Select **SETUP**.
3. Setup will list the following information:
 - a. **HEIGHT**,
 - b. **FILL-H**
4. Select **EXIT** to return to TOP-LEVEL MENU.



DIAGNOSTIC (DIAG) PARAMETERS

This mode runs diagnostic tests that confirm operation of NEO-7. This is a production test feature used by the factory to confirm operation.

1. In TOP-LEVEL MENU, select **VALUES**.
2. Select **DIAG**.
3. DIAG will list the following settings:
 - a. **Display Test**
 - b. **RANGE**
 - c. **TEMP**
 - d. **ECHO**
 - e. **POWER**
 - f. **VER**
4. Select **EXIT** to return to TOP-LEVEL MENU.

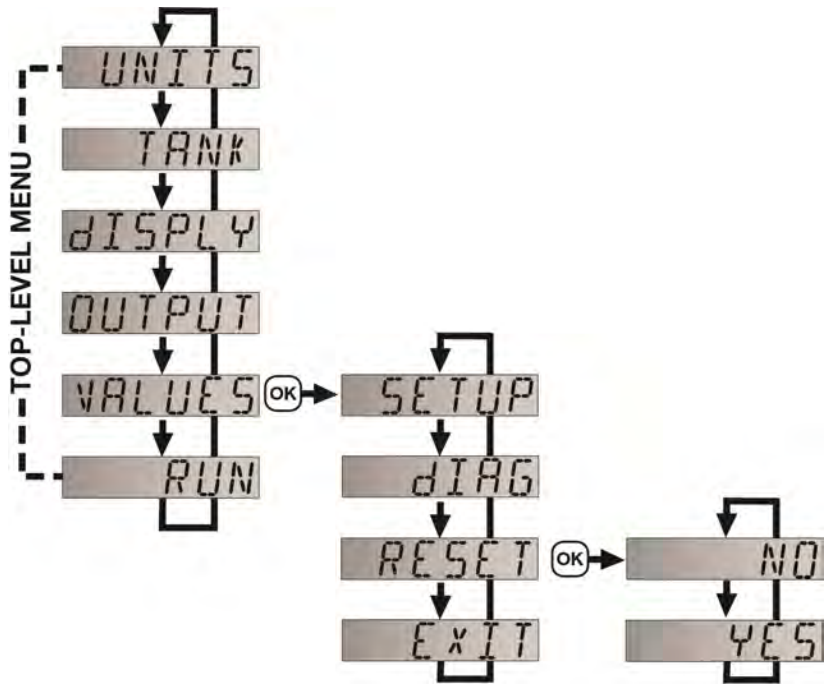


Note: This mode should only be used when supervised by a KOBOLD Instruments representative.

RESET

NEO-7 enables the end user to reset the entire configuration back to the original factory settings.

1. In TOP-LEVEL MENU mode, select **VALUES**.
2. Select **RESET**.
3. Select **YES**.
 - a. To cancel the reset, Select **NO**.
4. Select **EXIT** to return to TOP-LEVEL MENU.



FACTORY SETTINGS

NEO-7	Sensor Height	Fill-Height	Loop Fail-Safe	Output @ Empty	Startup Condition
NEO-7006 & NEO-7006-IS	236.2" (600 cm)	228.2" (579.7 cm)	Hold Last	4mA at Bottom	Empty
NEO-7012 & NEO-7012-IS	472.4" (1200 cm)	454.4" (1154.3 cm)	Hold Last	4mA at Bottom	Empty

USER SETTINGS

Fill out the chart below and keep as a record of your configuration.

Tank

Height =	Fill-H =
----------	----------

Units

Inches	Feet	cm	Meter
--------	------	----	-------

Display

Air	Liquid
-----	--------

Safe

22mA	21 mA	20mA	Hold Last	4mA
------	-------	------	-----------	-----

Rev mA

4mA @ Bottom	4mA at Top
--------------	------------

Start-up

4mA	12mA	20mA	22mA
-----	------	------	------

TROUBLESHOOTING

PROBLEM	SOLUTION
No Unit Detected in NEOCal software.	If the NEOCal software cannot detect NEO-7 when connected to the computer: <ul style="list-style-type: none"> • Check that the NEO-PFOB is connected to the USB® port. • Check that all four wires (Red, Black, White and Green) are securely attached to the Fob. • Check Device Manager and confirm that both drivers (NEOCal software) is present. • If the above do not work, reinstall the NEOCal software while the computer is in Safe Mode.
Cannot access some of the configuration features in NEOCal software.	As choices are made in Configuration, the software will begin to eliminate functions that are not applicable to a configuration. To reset Configuration or get access to all the features, click on the Clear Screen button.

TROUBLESHOOTING

PROBLEM	SOLUTION
Internet error. The server name or address could not be resolved.	This is a warning indicating that the computer configuring NEO-7 is not connected to the Internet. Click OK to continue. KOBOLD Instruments recommends being connecting to the Internet during configuration. But, not being connected to the Internet will not prevent NEO-7 from being configured.
Display shows FULL :	Level of liquid is above the FILL-H setting: Check the FILL-H setting, making sure the FILL-H setting is high enough so the level of liquid is below the FILL-H setting. The Fill-H setting is the distance from the bottom of the tank to the Full level of liquid.
Display shows EMPTY :	Level of liquid is beyond the HEIGHT setting: Check the HEIGHT setting, making sure the HEIGHT setting is low enough so the level of liquid is above the HEIGHT setting.
Display shows WARMUP :	Typically occurs when power is being applied to transmitter. Indicates a weak power supply, bad wire connections or the sensor is out of the operational range.
Display shows LOST :	Sensor is in a Fail-Safe state. The return sound pulses are not reaching the transducer. First, cycle power off and on, waiting 5 seconds between the off and on states. If problem persists, check the installation fitting against the Installation instructions in the manual.
Display is opposite of the measured value:	Check the DISPLAY setting. AIR mode indicates the distance from the liquid to the sensor. LIQUID mode indicates the height of liquid in the tank. Change the DISPLAY mode from AIR to LIQUID or vice versa to correct.
Transmitter indicates a current of 0 mA:	Check the wiring for an open circuit. An open circuit is the most common issue with a 0 mA signal.
Transmitter jumps to a current reading between 19 and 20 mA:	Check the installation of the transmitter. Bad installation fittings will cause false signals near the top of the tank, which typically translates to a signal between 19 and 20 mA. Also look for interference just below the transmitter. If the transmitter is installed in a metal fitting, switch to a plastic fitting.
Transmitter indicates a current over 23 mA:	Immediately check the wiring for a short circuit. The NEO-7 is current limited to 22 mA. Anything above 23 mA indicates a short circuit.
No unit detected error 1	Both errors can occur when the Display is still plugged in when connecting to NEOCal software. Remove the display from its plug and try again.
Data page read error 2	
Data page read error X (X is any number greater than 2)	Make sure display is removed. If issue persists, contact a KOBOLD Instruments representative.
-1 No device is attached to the USB Fob, or it is attached incorrectly. Please correct and try again.	<ol style="list-style-type: none"> 1. Check the wires connected to the USB Fob as well as to the NEO-7 terminals. 2. Make sure the cable length between the sensor and the computer is less than 15' of total cable. 3. Make sure the display was removed from its plug. 4. If this persists, reboot computer in SAFE mode and re-install the NEOCal software installer program.
-2 Program to loader error open wires	Check the wires connected to the USB Fob as well as to the NEO-7 terminals.

The Company warrants that the Products will be free from defects in material and workmanship under normal use for twelve months after the date of shipment. In the event that it is proved to the Company's satisfaction that the Products are defective, the Company will repair or replace the Products without charge (except for transportation charges); provided, however, that the Company is notified promptly in writing and that the Products are returned, upon request, to the Company's facility in Pittsburgh, Pennsylvania, transportation charges prepaid. This Warranty extends only to the original Purchaser. This Warranty does not cover damage or loss resulting from misuse, accident, neglect and/or improper installation or maintenance. Any unauthorized modification of the Products voids this Warranty.

THIS WARRANTY IS STRICTLY LIMITED TO ITS TERMS AND IS IN LIEU OF ALL OTHER EXPRESS, IMPLIED, OR STATUTORY WARRANTIES, INCLUDING WITHOUT LIMITATION ANY IMPLIED WARRANTIES OF MERCHANTABILITY OR FITNESS FOR A PARTICULAR PURPOSE. CUSTOMER UNDERSTANDS AND AGREES THAT KOBOLD INSTRUMENTS INC. SHALL NOT BE LIABLE UNDER ANY CIRCUMSTANCES FOR LOSS OF USE, INCOME, OR PROFIT, INCIDENTAL, SPECIAL, OR CONSEQUENTIAL OR OTHER SIMILAR DAMAGES.